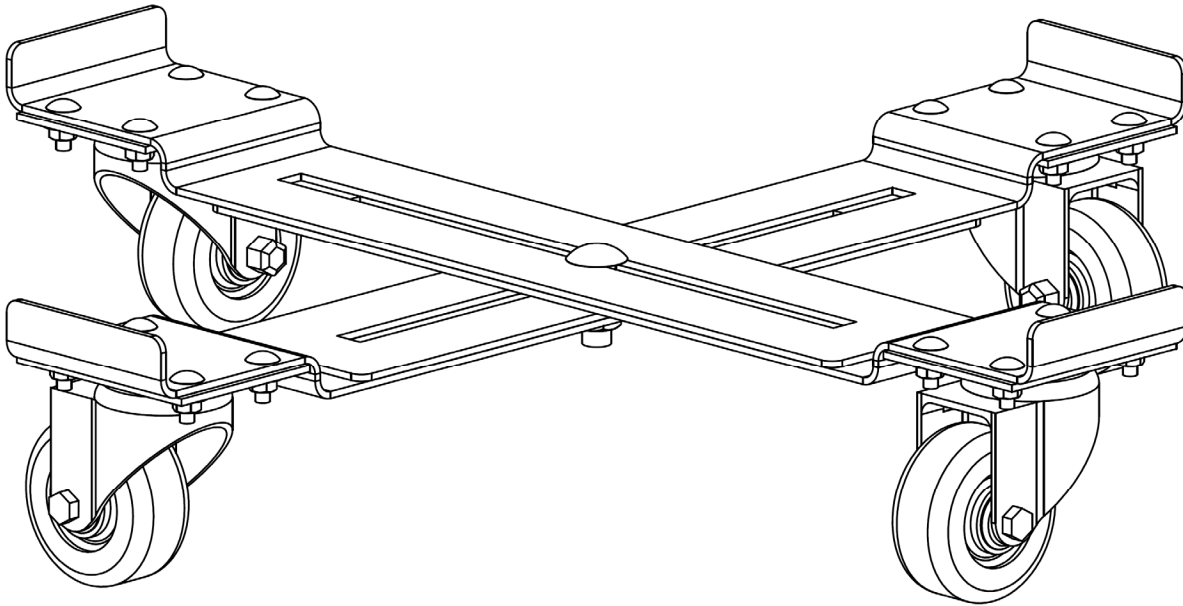




VESTIL MANUFACTURING CORP.
 2999 North Wayne Street, P.O. Box 507, Angola, IN 46703
 Telephone: (260) 665-7586 -or- Toll Free (800) 348-0868
 Fax: (260) 665-1339
 www.vestilmfg.com e-mail: info@vestil.com

DRUM-X Adjustable Drum Dollies Instruction Manual



Receiving instructions:

After delivery, remove the packaging from the product. Inspect the product closely to determine whether it sustained damage during transport. If damage is discovered, record a complete description of it on the bill of lading. If the product is undamaged, discard the packaging.

NOTE:

The end-user is solely responsible for confirming that product design, installation, use, and maintenance comply with laws, regulations, codes, and mandatory standards applied where the product is used.

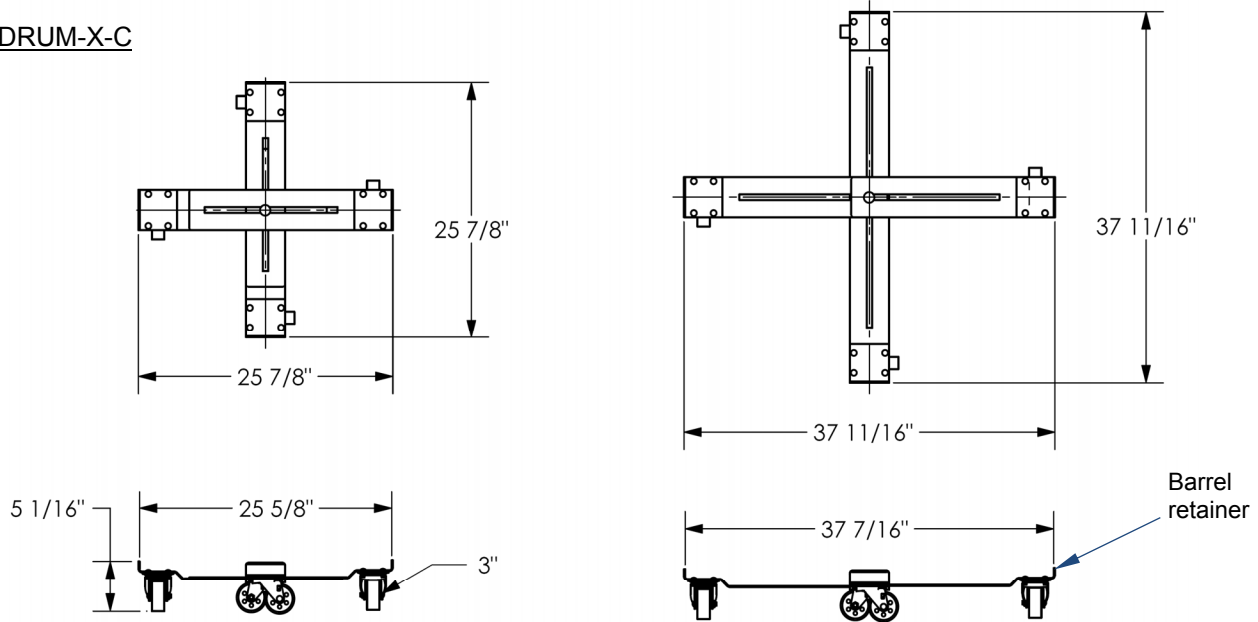
Table of Contents

Specifications.....	2
Signal words.....	3
Safe use recommendations.....	3
Exploded parts diagram and bill of materials.....	3
Assembly instructions.....	4
Adjusting the dolly.....	5
Use instructions.....	5
Inspections & Maintenance.....	5
Labeling diagram.....	5
Limited warranty.....	6

Specifications:

Dimensions, net weight, and capacity information for both DRUM-X models are presented below.

DRUM-X-C



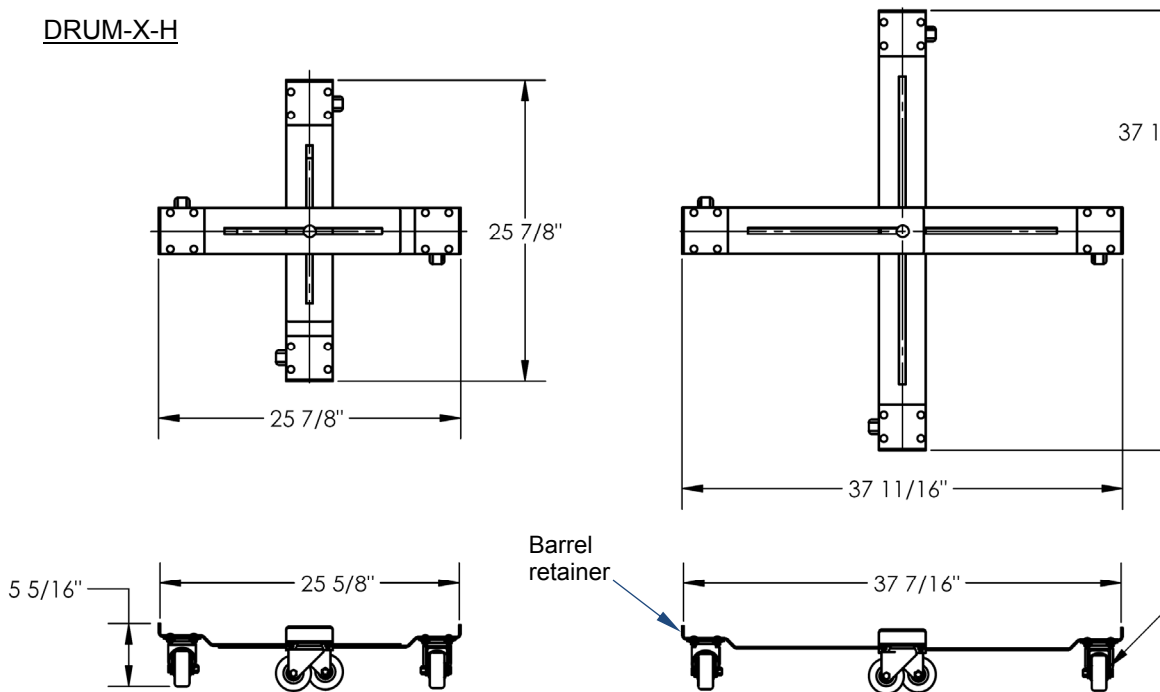
DIMENSION TOLERANCE $\pm 1/4"$

Collapsed width = $25\frac{7}{8}"$
 Collapsed length = $25\frac{7}{8}"$
 Collapsed usable width = $25\frac{5}{8}"$
 Collapsed usable length = $25\frac{5}{8}"$
 Overall height = $5\frac{1}{16}"$

Extended width = $37\frac{11}{16}"$
 Extended length = $37\frac{11}{16}"$
 Extended usable width = $37\frac{11}{16}"$
 Extended usable length = $37\frac{11}{16}"$

Capacity = 1,200 lb.
 Net weight = 20 lb.
 4 cast steel casters

DRUM-X-H



Collapsed width = $25\frac{7}{8}"$
 Collapsed length = $25\frac{7}{8}"$
 Collapsed usable width = $25\frac{5}{8}"$
 Collapsed usable length = $25\frac{5}{8}"$
 Overall height = $5\frac{5}{16}"$

Extended width = $37\frac{11}{16}"$
 Extended length = $37\frac{11}{16}"$
 Extended usable width = $37\frac{7}{16}"$
 Extended usable length = $37\frac{7}{16}"$

Capacity = 1,000 lb.
 Net weight = 27 lb.
 4 hard rubber casters

SIGNAL WORDS:

This manual uses SIGNAL WORDS to call attention to uses of this product that are likely to result in personal injuries or property damage. The signal words used in this manual appear below along with their definitions.

⚠ DANGER Identifies a hazardous situation which, if not avoided, **WILL** result in **DEATH** or **SERIOUS INJURY**. Use of this signal word is limited to the most extreme situations.

⚠ WARNING Identifies a hazardous situation which, if not avoided, **COULD** result in **DEATH** or **SERIOUS INJURY**.

⚠ CAUTION Indicates a hazardous situation which, if not avoided, **COULD** result in **MINOR** or **MODERATE** injury.

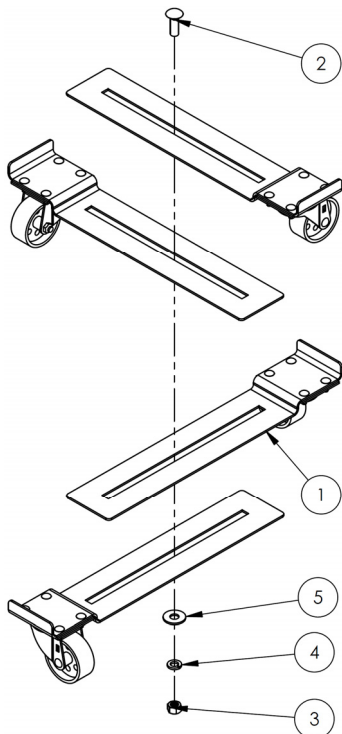
NOTICE Identifies practices likely to result in product/property damage, such as operation that might damage the product or other property.

Safe Use Recommendations:

Study the entire manual before using this product. Read the manual to refresh your understanding of the safe operation, inspection or maintenance procedures whenever necessary.

- ⚠ WARNING** Improper or careless operation might result in serious personal injuries.
- DO NOT use a damaged or malfunctioning dolly! Restore the dolly to normal operating condition before returning it to service. If the dolly cannot be repaired, destroy it or permanently remove it from service.
 - DO NOT exceed the capacity of your dolly (see "Specifications" section p. 2).
 - Keep feet and toes away from the casters whenever using the dolly to transport a barrel.
 - DO NOT use the dolly on angled surfaces. Only use the dolly to transport drums across even, level ground.
 - DO NOT use the dolly to move people. This product should only be used to transport barrels.
 - DO NOT ride on the dolly.
 - DO NOT use this product if any label is unreadable, damaged, or missing (see "Labeling diagram" on p. 5). Contact Vestil for replacement labels whenever necessary.
 - DO NOT modify the dolly! Modifications automatically void the limited warranty (see p. 6) and might make the dolly unsafe to use.

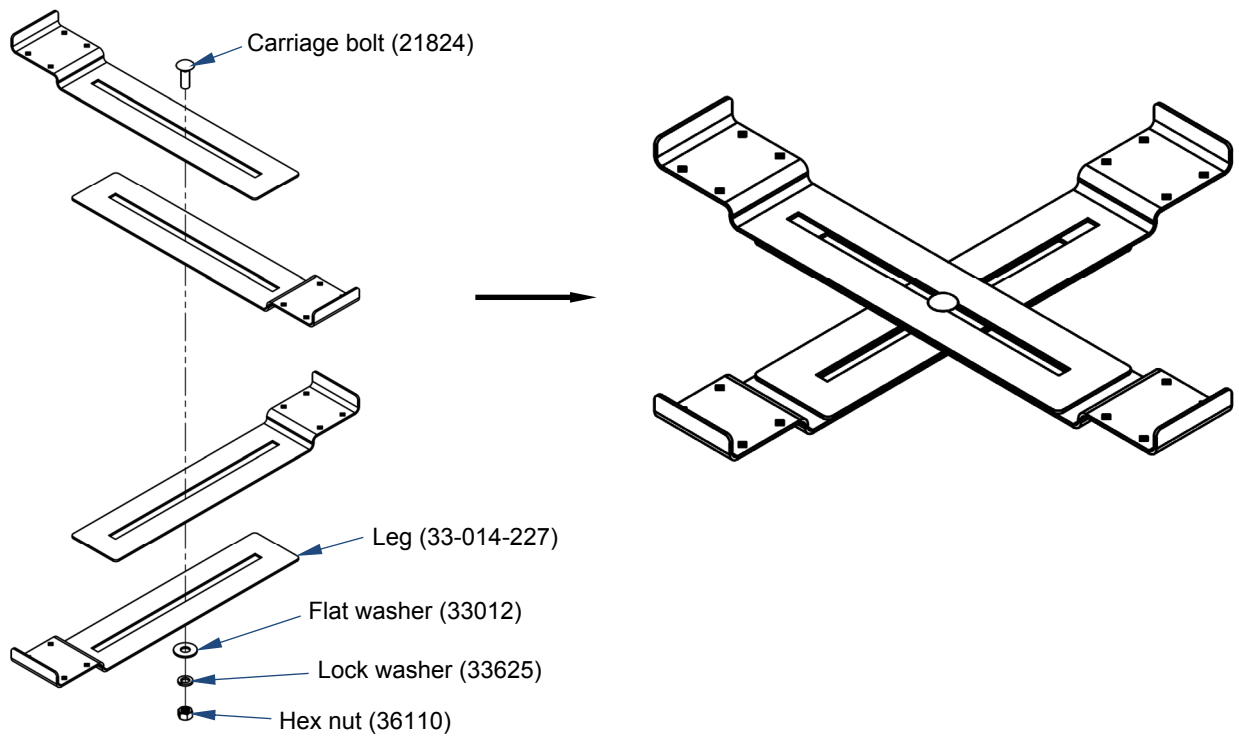
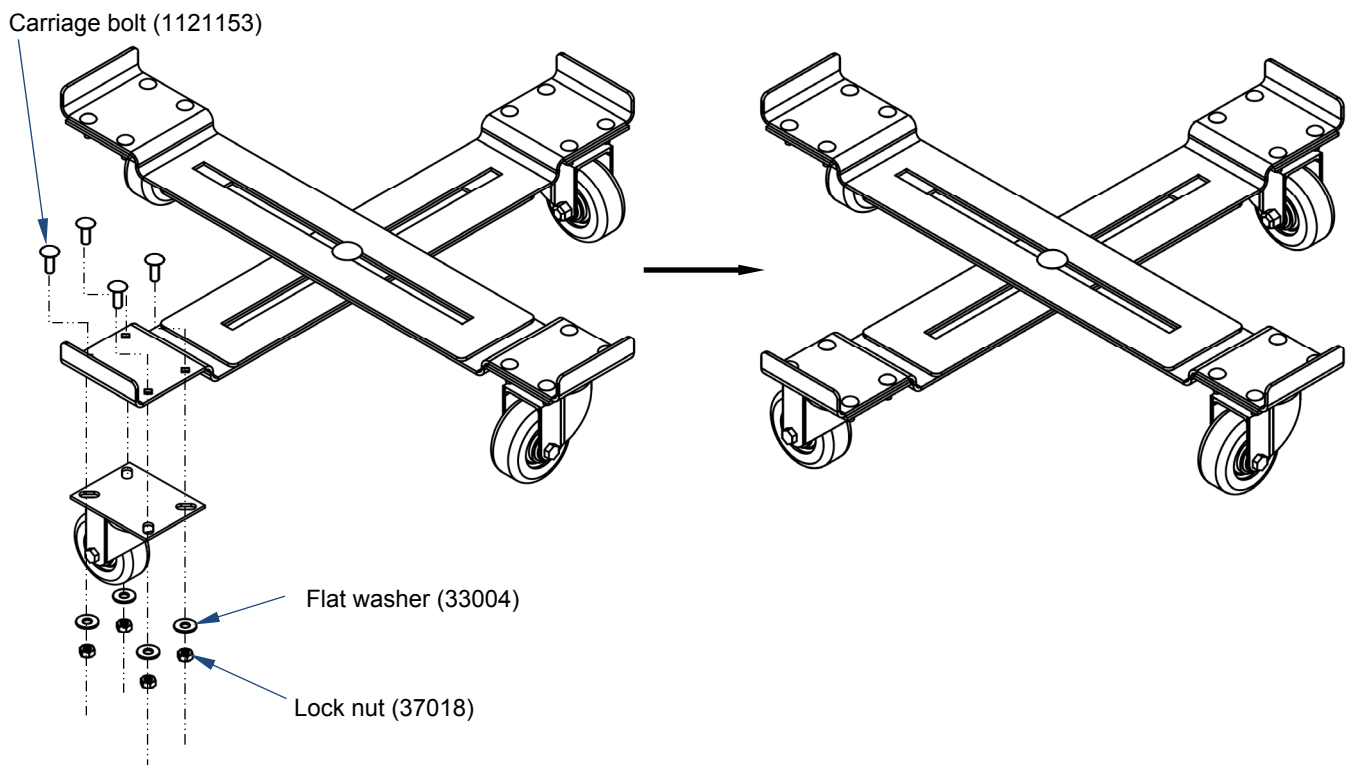
NOTICE This product must be maintained as instructed to function properly. Follow the recommendations provided in "Inspections & Maintenance" on p. 5.

FIG. 1: DRUM-X Exploded Parts Diagram and Bill of Materials

Item	Part no.	Description	Quantity	
1	33-514-222	DRUM-X-H leg subassembly	4	
	Components of subassembly:			
	37018	$\frac{1}{4}$ " - 20 lock nut, zinc-finish, grade 2	4	
	33004	$\frac{1}{4}$ " flat washer	4	
	1121153	$\frac{1}{4}$ " - 20 x $\frac{3}{4}$ " carriage bolt, zinc finish	4	
	33-014-227	Frame, caster bracket, formed	4	
	16-132-004	Caster HR-3/1.25-SLB-S	4	
	33-514-155	DRUM-X-C leg subassembly	4	
	Components of subassembly:			
	37018	$\frac{1}{4}$ " - 20 lock nut, zinc-finish, grade 2	4	
33004	$\frac{1}{4}$ " flat washer	4		
1121153	$\frac{1}{4}$ " - 20 x $\frac{3}{4}$ " carriage bolt, zinc finish	4		
33-014-227	Frame, caster bracket, formed	4		
16-132-060	Caster, steel	4		
2	21824	Carriage bolt, $\frac{1}{2}$ " - 13 x $1\frac{1}{2}$ "	1	
3	36110	Hex nut, zinc-plated, $\frac{1}{2}$ " - 13	1	
4	33625	Lock washer, medium split, plain finish, $\frac{1}{2}$ "	1	
5	33012	Flat washer, low carbon, zinc finish, $\frac{1}{2}$ "	1	

Assembly Instructions:

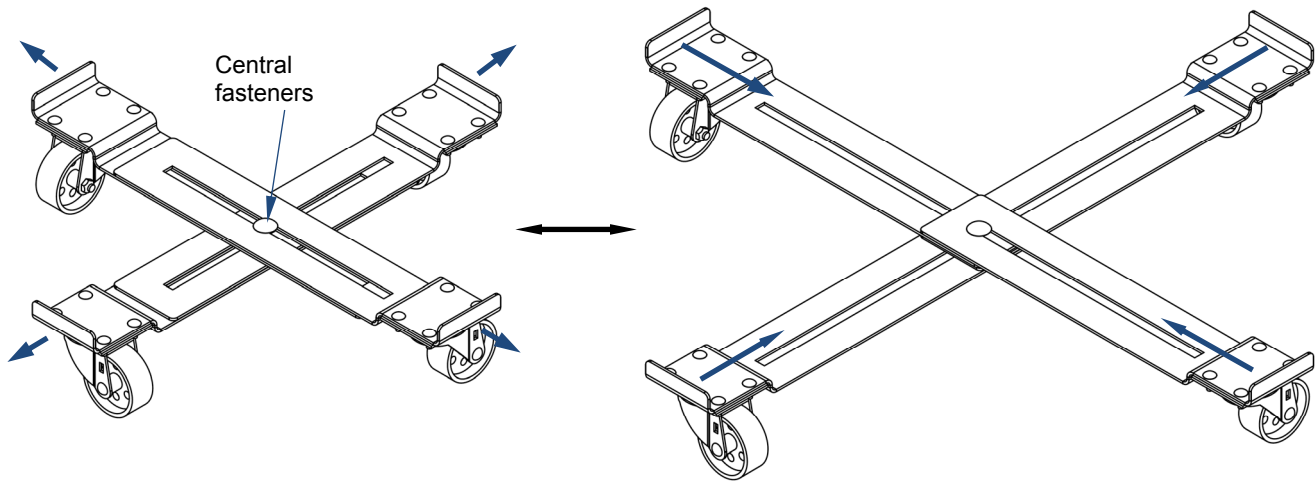
NOTE: Numbers in parentheses correspond to part numbers in the exploded parts diagrams on p. 3.

Step 1: Assemble the legs.**Step 2: Attach casters to the legs with $\frac{1}{4}$ " hardware as diagrammed below.**

Adjusting the dolly:

Drum-X series dollies are adjustable so they can be used with round-bottomed containers of varying diameter. To adjust the diameter of the dolly:

1. Loosen the central fasteners (items numbered 2-5);
2. Move opposed pairs of legs towards or away from each other. Adjust all 4 legs to the same diameter.
3. Retighten the central fasteners.



Use instructions:

Apply a barrel/drum to the dolly. The side of the barrel should contact the barrel retainer (see p. 2) of each leg. Do not overload the dolly! The total weight applied to it (barrel + all contents) must not exceed the capacity (see "Specifications" on p. 2).

Inspections & Maintenance:

Examine the dolly at least once per month. Check the following components to confirm normal operating condition. Replace any part that is damaged or severely worn with manufacturer-approved replacement parts.

1. Frame – the legs should be square and rigid. Check for cracks, twists, elongations, etc.
2. Casters – each caster should roll smoothly without wobbling or binding. Tighten fasteners if necessary.
3. Central fasteners (used to join the leg pieces) – tighten the nut on the bolt if the legs are not held firmly in position. The legs should not be able to pull apart without loosening the fasteners.

Labeling diagram:

Only use the dumper if it is labeled as diagrammed below. ALL labels must be readable and undamaged. Replace labels as necessary. Because the labels are not visible when it is loaded, we recommend making photocopies of the labels before putting the dolly into service. Display the photocopies in the location where the dolly is used.

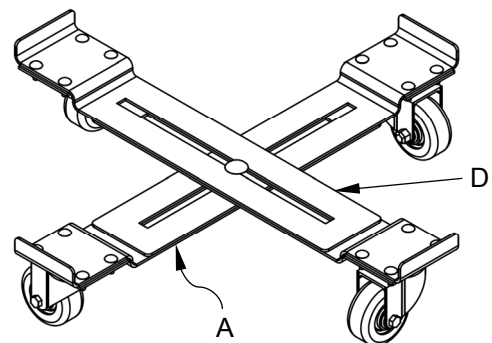
A: Label 658 (applied to underside of a leg)

⚠ WARNING	⚠ ADVERTENCIA	⚠ AVERTISSEMENT
Do not operate or move with unstable loads DO NOT LOAD beyond rated capacity DISTRIBUTE LOAD EVENLY DO NOT sit or ride	No use a mueva con cargas inestables No cargue mas de la capacidad tasada DISTRIBUYA LA CARGA A NIVEL NO SE SIENTE o vaya en el carro	Ne pas utiliser avec une charge instable NE PAS CHARGER au-delà du débit nominale DISTRIBUER la charge régulièrement NE PAS VOUS ASSEoir OU VOUS PROMENER sur le chariot

B: Label 287 – (applied to underside of another leg)

MODEL/MODÉLO/MODÈLE _____
STATIC CAPACITY (evenly distributed) _____ lbs.
LA CAPACIDAD CONSTANTE (distribuida uniformemente) _____ kgs.
CAPACITÉ STATIQUE (distribuée régulièrement) _____ kgs.
SERIAL/SERIE/SÉRIE _____

287 REV 0812



LIMITED WARRANTY

Vestil Manufacturing Corporation (“Vestil”) warrants product to be free of defects in material and workmanship during the warranty period. *Our warranty obligation is to provide a replacement for a defective original part if the part is covered by the warranty, after we receive a proper request from the warrantee (you) for warranty service.*

Who may request service?

Only a warrantee may request service. *You are a warrantee if* you purchased the product from Vestil or from an authorized distributor AND Vestil has been fully paid.

What is an “original part”?

An original part is a part used to make the product as shipped to the warrantee.

What is a “proper request”?

A request for warranty service is proper if Vestil receives: 1) a photocopy of the Customer Invoice that displays the shipping date; AND 2) a written request for warranty service including your name and phone number. Send requests by any of the following methods:

<u>Mail</u>	<u>Fax</u>	<u>Email</u>
Vestil Manufacturing Corporation 2999 North Wayne Street, PO Box 507 Angola, IN 46703	(260) 665-1339 <u>Phone</u> (260) 665-7586	sales@vestil.com

In the written request, list the parts believed to be defective and include the address where replacements should be delivered.

What is covered under the warranty?

After Vestil receives your request for warranty service, an authorized representative will contact you to determine whether your claim is covered by the warranty. Before providing warranty service, Vestil may require you to send the entire product, or just the defective part or parts, to its facility in Angola, IN. The warranty covers defects in the following original dynamic components: motors, hydraulic pumps, electronic controllers, switches and cylinders. It also covers defects in original parts that wear under normal usage conditions (“wearing parts”), such as bearings, hoses, wheels, seals, brushes, and batteries.

How long is the warranty period?

The warranty period for original dynamic components is 30 days. For wearing parts, the warranty period is 30 days. The warranty periods begin on the date when Vestil ships the product to the warrantee. If the product was purchased from an authorized distributor, the periods begin when the distributor ships the product. Vestil may, at its sole discretion, extend the warranty periods for products shipped from authorized distributors by *up to* 30 days to account for shipping time.

If a defective part is covered by the warranty, what will Vestil do to correct the problem?

Vestil will provide an appropriate replacement for any covered part. An authorized representative of Vestil will contact you to discuss your claim.

What is not covered by the warranty?

1. Labor;
2. Freight;
3. Occurrence of any of the following, which automatically voids the warranty:
 - Product misuse;
 - Negligent operation or repair;
 - Corrosion or use in corrosive conditions;
 - Inadequate or improper maintenance;
 - Damage sustained during shipping;
 - Accidents involving the product;
 - Unauthorized modifications: DO NOT modify the product IN ANY WAY without first receiving written authorization from Vestil. Modification(s) might make the product unsafe to use or might cause excessive and/or abnormal wear.

Do any other warranties apply to the product?

Vestil Manufacturing Corp. makes no other express warranties. All implied warranties are disclaimed to the extent allowed by law. Any implied warranty not disclaimed is limited in scope to the terms of this Limited Warranty.

