



Vestil Manufacturing Corp.
 2999 North Wayne Street, P.O. Box 507, Angola, IN 46703
 Telephone: (260) 665-7586 -or- Toll Free (800) 348-0868
 Fax: (260) 665-1339
 Web: www.vestilmfg.com e-mail: info@vestil.com

CCF-series Coil Carriers Instruction Manual



Receiving instructions:

After delivery, remove the packaging from the product. Inspect the product closely to determine whether it sustained damage during transport. If damage is discovered, record a complete description of it on the bill of lading. If the product is undamaged, discard the packaging.

NOTE:

The end-user is solely responsible for confirming that product design, use, and maintenance comply with laws, regulations, codes, and mandatory standards applied where the product is used.

Table of Contents

Signal Words.....	2
Hazards of Improper Use.....	2
Specifications.....	3
Exploded view & bill of materials.....	3
Using the coil carrier.....	4
Inspections.....	4
Maintenance.....	4
Labeling Diagram.....	5
Limited Warranty.....	6

Signal Words:

This manual uses SIGNAL WORDS to direct the reader's attention to important safety-related messages. These messages describe uses of the product that could result in personal injury or property damage. Each signal word connotes a specific hazard level. The following are definitions of signal words used in this manual.



Identifies a hazardous situation which, if not avoided, **WILL** result in **DEATH** or **SERIOUS INJURY**. Use of this signal word is limited to the most extreme situations.



Identifies a hazardous situation which, if not avoided, **COULD** result in **DEATH** or **SERIOUS INJURY**.



Indicates a hazardous situation which, if not avoided, **COULD** result in **MINOR** or **MODERATE** injury.



Identifies practices likely to result in product/property damage, such as operation that might damage the product.

Hazards of Improper Use:

Vestil strives to identify all foreseeable hazards associated with the use of its products. However, material handling is dangerous and no manual can address every conceivable risk. Ultimately, the most effective way to prevent injury is to apply sound judgment whenever using this device.

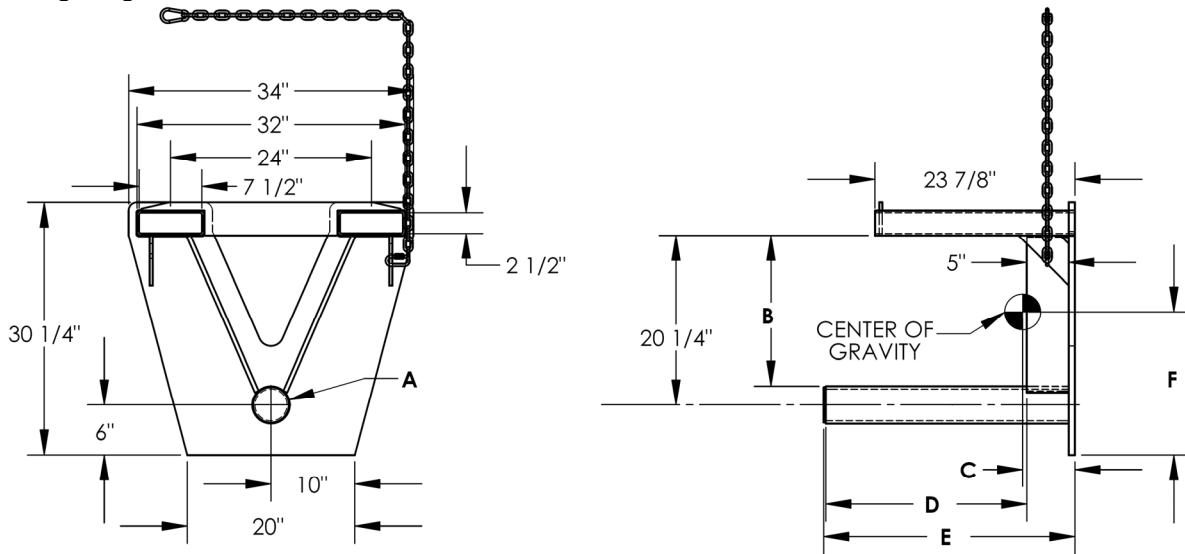


Improper or careless use could result in serious personal injuries or death.

- Before using the coil carrier, you must contact the manufacturers of all forklifts that will use the carrier to request: 1) written approval; and 2) markings for each forklift that identify the coil carrier AND give the approximate weight of the forklift and carrier at maximum elevation with a laterally-centered load. **DO NOT use the carrier until your forklifts are marked.**
- Read and understand the entire manual before installing, using, or servicing the product. Read the manual to refresh your understanding of proper use, inspection, and maintenance procedures whenever necessary.
- DO NOT exceed the capacity of your unit (see Label 287 on product; also shown in "Labeling diagram" on p. 5).
- Inspect the carrier before each use as described in "Inspections" on p. 4.
- Always connect the safety chain to the carriage of your forklift without slack. The carrier must not be able to slide on the forks.
- Verify that the load is stable by lifting it just a few inches off of the ground. Load swing should be minimal and the carrier should not shift on the forks. If the load is not stable while elevated, return it to the ground and use another device to transport it.
- ALWAYS apply the rules governing use of (forklift) front end attachments applied at your work site.
- DO NOT cover or remove any label. Verify the location and legibility of all labels shown in the Labeling Diagram on p. 5. DO NOT use this device UNLESS all labels are readable and undamaged.
- DO NOT ride or sit on the carrier.
- DO NOT use the carrier to push objects. Only use it to transport a coil of material.
- ONLY use this product when traveling on firm, level, even ground.
- Coil must not be longer than the pole, i.e. no part of the coil should hang over the end of the pole. See "Using the coil carrier" on p. 4 for loading instructions.
- DO NOT leave elevated coils unattended. Always move the coil to its necessary location, remove it from the carrier, and properly immobilize it.
- DO NOT modify the carrier in any way UNLESS you first obtain written approval from Vestil. Unapproved modifications automatically void the limited warranty (see p. 6) and might make the unit unsafe to use.

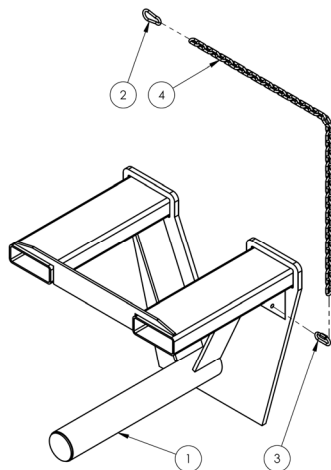
Specifications:

Dimensions, net weight (lost load), and uniform capacity of each CCF-series coil carrier are provided in the following diagrams and table.



Model	A	B	C (Horizontal center of gravity)	D	E	F (Vertical center of gravity)	Uniform Capacity	Net Weight (Lost Load)
CCF-24-4	4 1/2" 11.4 cm	18" 45.7 cm	6.24" 15.8 cm	24" 61.0 cm	30" 76.2 cm	17.07" 43.4 cm	3,000 lb. (1363.6 kg)	286 lb. (130 kg)
CCF-24-5	5 5/8" 14.3 cm	17 1/2" 44.5 cm	6.71" 17.0 cm	24" 61.0 cm	30" 76.2 cm	16.52" 42.0 cm	5,500 lb. (2500 kg)	300 lb. (136.4 kg)
CCF-36-4	4 1/2" 11.4 cm	18" 45.7 cm	7.78" 19.8 cm	36" 91.4 cm	42" 106.7 cm	16.51" 41.9 cm	3,000 lb. (1363.6 kg)	301 lb. (136.8 kg)
CCF-36-5	5 5/8" 14.3 cm	17 1/2" 44.5 cm	8.68" 22.0 cm	36" 91.4 cm	42" 106.7 cm	15.83" 40.2 cm	5,500 lb. (2500 kg)	321 lb. (145.9 kg)
CCF-48-4	4 1/2" 11.4 cm	18" 45.7 cm	9.74" 24.7 cm	48" 121.9 cm	54" 137.2 cm	16.00" 40.6 cm	3,000 lb. (1363.6 kg)	316 lb. (143.6 kg)
CCF-48-5	5 5/8" 14.3 cm	17 1/2" 44.5 cm	11.14" 28.3 cm	48" 121.9 cm	54" 137.2 cm	15.23" 38.7 cm	5,500 lb. (2500 kg)	342 lb. (155.5 kg)
CCF-60-4	4 1/2" 11.4 cm	18" 45.7 cm	12.08" 30.7 cm	60" 152.4 cm	66" 167.6 cm	15.54" 39.5 cm	3,000 lb. (1363.6 kg)	331 lb. (150.5 kg)
CCF-60-5	5 5/8" 14.3 cm	17 1/2" 44.5 cm	14.01" 35.6 cm	60" 152.4 cm	66" 167.6 cm	14.69" 37.3 cm	5,500 lb. (2500 kg)	363 lb. (165 kg)

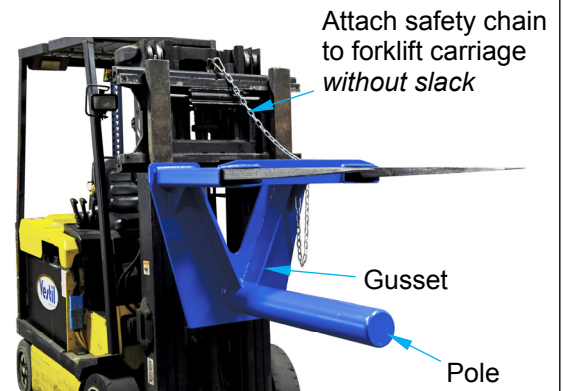
Exploded view and bill of materials



Item	Part no.	Description	Quantity
1	08-514-234	Weldment, frame, coil carrier: CCF-24-4	1
	08-514-238	CCF-24-5	1
	08-514-235	CCF-36-4	1
	08-514-239	CCF-36-5	1
	08-514-236	CCF-48-4	1
	08-514-240	CCF-48-5	1
	08-514-237	CCF-60-4	1
	08-514-241	CCF-60-5	1
	2	08-145-041	5/16 in. snap hook
3	99-145-053	5/16 in. quick link	1
4	09-145-018	Chain, 5/16 in. x 56"	1

Using the coil carrier:

- Step 1:** Drive forward and insert the forks of your lift truck into the fork pockets of the frame. Drive until the frame contacts the heels of the forks.
- Step 2:** To prevent the carrier from sliding on the forks, attach the safety chain (item 4 on p. 3) to the carriage of your lift truck *without slack*. NOTE: In the photo (right), the slack must still be taken out of the safety chain.
- Step 3:** Insert the pole into the center of a coil of material. Drive forward until the end of the roll contacts the frame gussets.
- Step 4:** Raise the forks only as high as necessary to lift the coil off of the ground and to avoid contact with objects during transport. DO NOT leave a raised coil unattended. Always unload the carrier before leaving the forklift.



Inspections:

Written records — before using the carrier for the first time, make a written record of its appearance. Describe the condition of the Fork tubes, pole, frame, safety chain, and snap hook. Take photographs of each item and add them to the record. Take photographs of all labels applied to the unit. Describe where each label is located. This record establishes normal condition. When conducting the inspections detailed below, compare your observations to the record to determine if a component is in normal condition. Do not use the carrier unless every component is in normal condition. Cosmetic changes, like damaged paint/powder coat, do not constitute changes from normal condition. However, touchup paint should be applied to all affected areas as soon as damage occurs.

Before each use — perform the following inspections.

1. Check the surface of the carrier for dirt or other matter.
2. Confirm integrity of fasteners (snap hook and quick link).
3. Abnormal, unstable or noisy movement during use.
4. Examine base frame, pole, and fork tubes for looseness, excessive wear, damage, or indications of metal fatigue.
5. Inspect the fork tubes for damage such as severe wear, thinned walls, significant corrosion, and warps.
6. Confirm that the safety chain is in satisfactory condition. Look for broken, elongated, and twisted links.
7. Check all labels (see “Labeling diagram” on p. 5). Replace labels that are damaged or not easily readable.
8. Examine the whole structure for rusting/metal erosion. Remove rust/corrosion with a steel bristle brush or steel wool. Clean the area and apply touchup paint.

Annual evaluation — At least once per year, authorized inspection personnel should use the carrier to lift a full capacity load. Afterwards, conduct a Frequent Inspection to confirm that the product is in normal condition.

Maintenance:

End-users should implement a maintenance program to ensure that the product functions properly and is adequately maintained. The OSHA “General Industry” standard for “Powered industrial trucks” ([29 CFR 1910.178](#)) provides recommended maintenance procedures. The following steps should be utilized in conjunction with those procedures. ONLY trained, authorized personnel or contractors should perform inspection, maintenance, or repair work.

NOTE: The end-user is responsible for selecting and training employees to work on the carpet ram. “Work on” means use, inspect, and maintain the product.

Step 1: Tag the ram, “Out of Service.”

Step 2: Remove any dirt or other matter from all surfaces.

Step 3: Conduct a “Before each use” inspection. If deformity, corrosion, rusting, or excessive wear is found, DO NOT use the product. Permanently remove it from service.

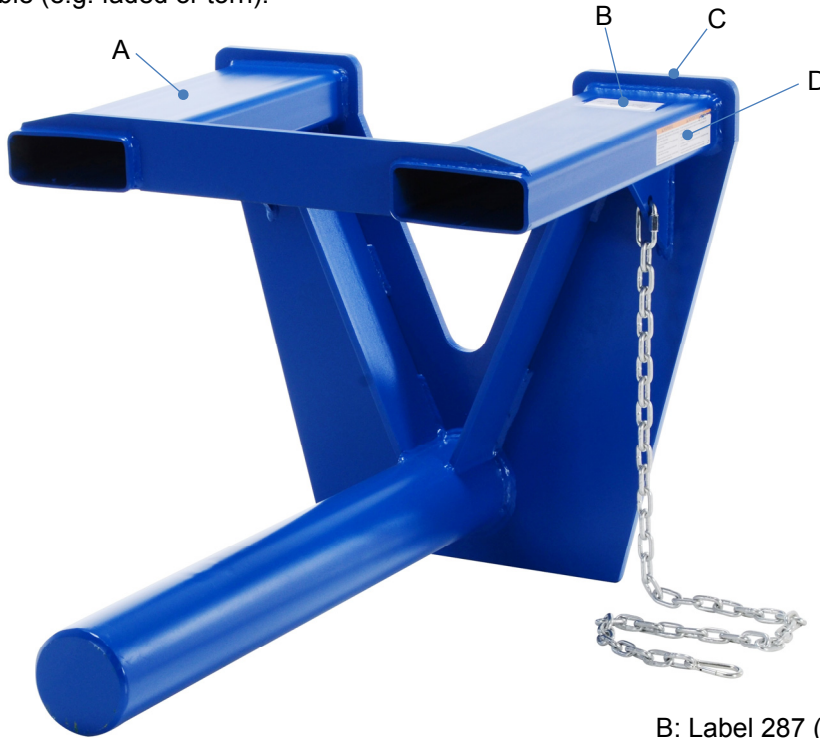
Step 4: Perform all necessary adjustments, replacements, and/or repairs. DO NOT modify the ram.

NOTE: The difference between necessary adjustments/repairs and modifications is important. An “adjustment” is a simple correction that restores the carrier to normal condition, such as tightening loose fasteners, or removing dirt or other debris from the surface. “Repair” refers to removing worn parts and installing replacement parts. A “modification” is a change that alters the carrier from original condition, like bending a structural member or removing a part or several parts. **NEVER** modify the unit without first obtaining express, written approval from Vestil. Modifications and automatically void the limited warranty (see p. 5) and might make the device unsafe to use.

Step 5: Make a dated record of all repairs, adjustments, and/or replacements.

Labeling Diagram:

The product should be labeled as shown in the diagram below. Product labeling is subject to change without notice. Therefore, your unit as delivered might be labeled differently. Make sure that your written record (see "Inspections" on p. 4) includes descriptions and photos of all labels applied to your carrier. Replace any label that is damaged or not easily readable (e.g. faded or torn).



A: Label 1049 (Forklift must be properly marked)

⚠ WARNING
<p>Improper use of this fork attachment might result in death or serious injury.</p> <ul style="list-style-type: none"> • Before using this fork attachment, US Federal regulation 29 CFR 1910.178 requires you to contact the manufacturer of your lift truck and request: <ol style="list-style-type: none"> 1. Written approval [29 CFR 1910.178(a)(4)] 2. Markings for (fork) lift truck that: <ul style="list-style-type: none"> - Identify the attachment; - Give approximate weight of truck and attachment at maximum evaluation with laterally-centered load. [29 CFR 1910.178(a)(5)]. • DO NOT use UNTIL lift truck is marked with corrected capacity tags. 1049

B: Label 287 (Model, serial no. capacity)

MODEL/MODÉLO/MODÈLE _____	
STATIC CAPACITY (evenly distributed) _____	lbs.
LA CAPACIDAD CONSTANTE (distribuida uniformemente) _____	kgs.
CAPACITÉ STATIQUE (distribuée régulièrement) _____	kgs.
SERIAL/SERIE/SÉRIE _____	
287 REV 0812	

C: Label 1001 (This Side Up)



D: Label 218 (Fasten safety chain to carriage)

⚠ WARNING	⚠ ADVERTENCIAS
<p>Improper use might result in death or serious personal injury. Attach device to fork carriage with safety chain/strap.</p> <ul style="list-style-type: none"> • Drive lift truck forward until forks contact ends of fork pockets. • Chain/straps must not be able to disconnect (slide free) from carriage. • Safety chain/strap must be taut. Connect chain/strap to carriage via shortest line. 	<p>El uso impropio puede resultar en muerte o heridas personales. Atar aparato al mástil del montacargas con cadenas/correas.</p> <ul style="list-style-type: none"> • Maneje el montacargas para adelante hasta que las cuñas hagan contacto con la orilla del bolsillo de las cuñas. • La cadenas y correas no deben de deslizarse (solitarse) del mástil del montacargas. • La cadena/correa de seguridad debe de estar apretado. Asegure la cadena/correa al mástil via la ruta mas corta.
218	REV 0812

LIMITED WARRANTY

Vestil Manufacturing Corporation (“Vestil”) warrants this product to be free of defects in material and workmanship during the warranty period. Our warranty obligation is to provide a replacement for a defective, original part covered by the warranty after we receive a proper request from the Warrantee (you) for warranty service.

Who may request service?

Only a warrantee may request service. You are a warrantee if you purchased the product from Vestil or from an authorized distributor AND Vestil has been fully paid.

Definition of “original part”?

An original part is a part used to make the product as shipped to the Warrantee.

What is a “proper request”?

A request for warranty service is proper if Vestil receives: 1) a photocopy of the Customer Invoice that displays the shipping date; AND 2) a written request for warranty service including your name and phone number. Send requests by one of the following methods:

<u>US Mail</u>	<u>Fax</u>	<u>Email</u>
Vestil Manufacturing Corporation 2999 North Wayne Street, PO Box 507 Angola, IN 46703	(260) 665-1339 <u>Phone</u> (260) 665-7586	info@vestil.com Enter “Warranty service request” in subject field.

In the written request, list the parts believed to be defective and include the address where replacements should be delivered. After Vestil receives your request for warranty service, an authorized representative will contact you to determine whether your claim is covered by the warranty. Before providing warranty service, Vestil will require you to send the entire product, or just the defective part (or parts), to its facility in Angola, IN.

What is covered under the warranty?

The warranty covers defects in the following original, dynamic parts: motors, hydraulic pumps, electronic controllers, switches, and cylinders. It also covers defects in original parts that wear under normal usage conditions (“wearing parts”), such as bearings, hoses, wheels, seals, brushes, and batteries.

How long is the warranty period?

The warranty period for original dynamic components is 90 days. For wearing parts, the warranty period is 90 days. Both warranty periods begin on the date Vestil ships the product to the Warrantee. If the product was purchased from an authorized distributor, the periods begin when the distributor ships the product. Vestil may, at its sole discretion, extend a warranty period for products shipped from authorized distributors by up to 30 days to account for shipping time.

If a defective part is covered by the warranty, what will Vestil do to correct the problem?

Vestil will provide an appropriate replacement for any *covered* part. An authorized representative of Vestil will contact you to discuss your claim.

What is not covered by the warranty?

The Warrantee (you) are responsible for paying labor costs and freight costs to return the product to Vestil for warranty service.

Events that automatically void the Limited Warranty.

- Misuse;
- Negligent assembly, installation, operation or repair;
- Installation/use in corrosive environments;
- Inadequate or improper maintenance;
- Damage sustained during shipping;
- Collisions or other accidents that damage the product;
- Unauthorized modifications: Do not modify the product IN ANY WAY without first receiving written authorization from Vestil.

Do any other warranties apply to the product?

Vestil Manufacturing Corp. makes no other express warranties. All implied warranties are disclaimed to the extent allowed by law. Any implied warranty not disclaimed is limited in scope to the terms of this Limited Warranty. Vestil makes no warranty or representation that this product complies with any state or local design, performance, or safety code or standard. Noncompliance with any such code or standard is not a defect in material or workmanship.

