

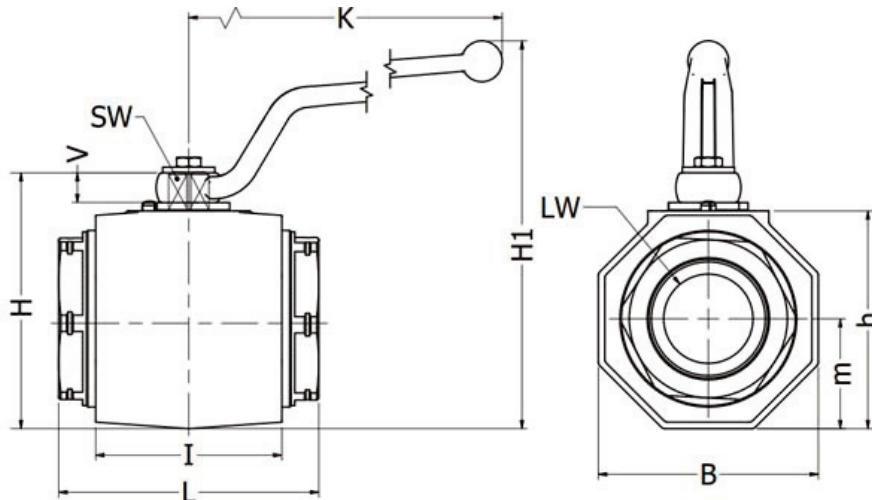
Behringer 2-Way Ball Valves



Round Body Valves with Threaded Connections
Size Range: 1-1/4" - 2"

Features:

- Forged Body.
- Chrome Plated Steel Material (Stainless Steel Optional).
- Full Port Valves.
- Delrin Ball Seats (Others available on request).
- Viton O-rings (Others available on request).
- Zinc Iron Plated.
- Temp Range -20°F to 212°F.
- Hard Chrome-Plated Ball.
- Other options available upon request.



High Pressure Forged Body Valves 1-1/4 - 2			Working Pressure		Dimensions (in.)											Lever Material
Size	Thread Type	Part Number	PSI	Bar	l	L	B	H	h	m	V	SW	K	H1	LW	
1 1/4	NPT	BBV/T7H1D1F-M	6090	420	3.15	4.37	3.19	4.21	3.39	1.60	0.65	0.67	12.05	6.97	1.26	Steel
	BSP	BBV/G7H1D1F-M	6090	420	3.15	4.37	3.19	4.21	3.39	1.60	0.65	0.67	12.05	6.97	1.26	Steel
	SAE	BBV/O7H1D1F-M	6090	420	3.15	4.37	3.19	4.21	3.39	1.60	0.65	0.67	12.05	6.97	1.18	Steel
1 1/2	NPT	BBV/T8H1D1F-M	6090	420	3.35	5.11	3.94	4.88	4.06	1.97	0.65	0.67	12.05	7.64	1.50	Steel
	BSP	BBV/G8H1D1F-M	6090	420	3.35	5.11	3.94	4.88	4.06	1.97	0.65	0.67	12.05	7.64	1.50	Steel
	SAE	BBV/O8H1D1F-M	6090	420	3.35	5.11	3.94	4.88	4.06	1.97	0.65	0.67	12.05	7.64	1.50	Steel
2	NPT	BBV/T9H1D1F-M	6090	420	3.94	5.51	4.65	5.43	4.61	2.32	0.65	0.67	12.05	8.23	1.89	Steel
	BSP	BBV/G9H1D1F-M	6090	420	3.94	5.51	4.65	5.43	4.61	2.32	0.65	0.67	12.05	8.23	1.89	Steel
	SAE	BBV/O9H1D1F-M	6090	420	3.94	5.51	4.65	5.43	4.61	2.32	0.65	0.67	12.05	8.23	1.77	Steel