



Model 975XLHBM

Hydrant Backflow Meter Assembly

Application

Designed for use in measurement of potable water from a fire hydrant or other non-permanent installation where flow is in one direction only. Protects against both backsiphonage and back-pressure of contaminated water into the potable water supply. NH (NST) adapters allow for connection to 2 1/2" Fire hydrant (inlet) and 2 1/2" Fire hose (outlet). Assembly shall provide protection where a potential health hazard exists.

Standards Compliance

Model 975XLHBM Hydrant Backflow Meter meets the design requirements of most national standards. Due to the portability of the assembly, there are no national approvals available.

Meter meets the requirements of:
ANSI / AWWA C701-88 Class II

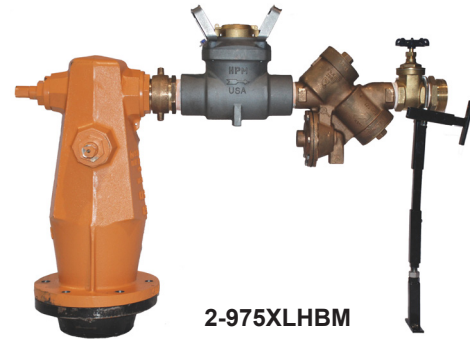
Materials

Main valve body	Cast Bronze ASTM B 584
Access covers	Cast Bronze ASTM B 584
Fasteners	Stainless Steel, 300 Series
Elastomers	Silicone (FDA approved) Buna Nitrile (FDA approved)
Polymers	Noryl™, NSF Listed
Springs	Stainless steel, 300 series
Meter body	Aluminum
Connections	Cast Brass ASTM B 584
Gate Valve body	Brass ASTM B 584 Alloy C85700

Features

Sizes:	2" Backflow Preventer
Maximum intermittent flow rate	250 GPM
Maximum rated flow rate	160 GPM
Maximum working water pressure	175 PSI
Maximum working water temperature	180°F
Hydrostatic test pressure	350 PSI
Hose connection (2-1/2")	NH (NST)
Female Inlet	(NFPA 1963)
Male Outlet	

- Utilizes approved ZURN WILKINS Reduced Pressure Principle Backflow Preventer for maximum protection against backflow conditions.
- Class II Turbine type meter insures accurate measurement.
- Check valve access covers allow for ease of maintenance without disassembly of the entire valve.
- Hard anodized aluminum meter design results in a lighter weight product ideal for temporary installations.
- Outlet shut-off valve allows for fast and easy flow adjustment.
- Inlet screen to protect meter from potential damage caused by foreign debris.
- Lifting handles allow for quick installation to hydrant.
- Adjustable support stand for positive support.
- 2-1/2" brass inlet swivel fitting for fast installation.
- Straightening vanes for increased accuracy of measurement.



2-975XLHBM

Options

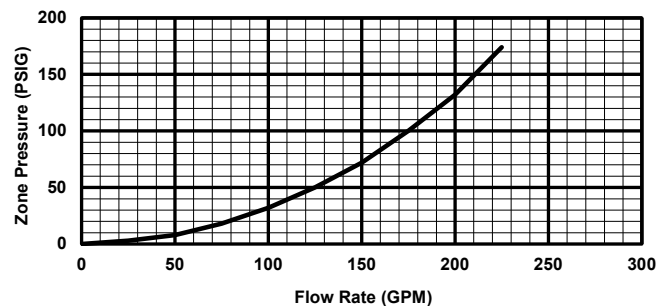
- With US gal. register
- CFM - With cu. ft. register
- CMM - With cu. meter register
- LM - Less water meter
- L - Less inlet and outlet hose connections (2-1/2" FNPT inlet, 2" FNPT outlet)

Accessories

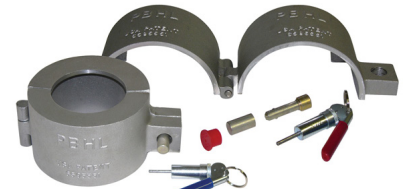
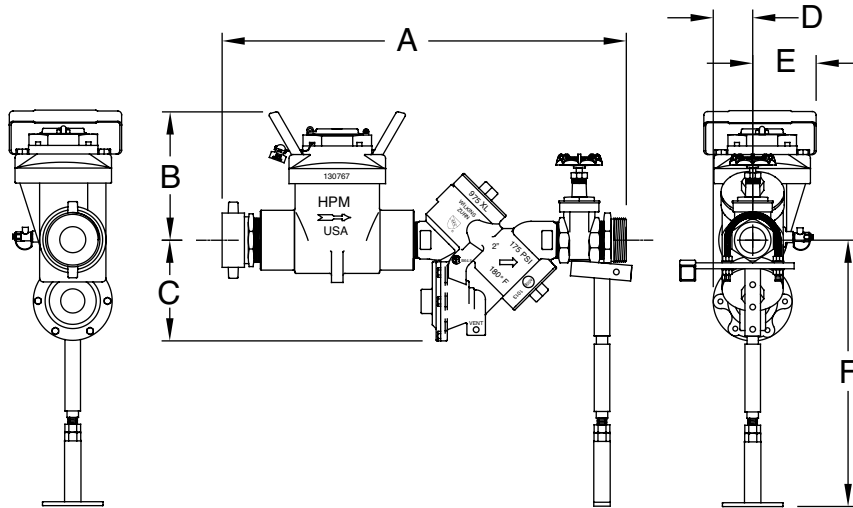
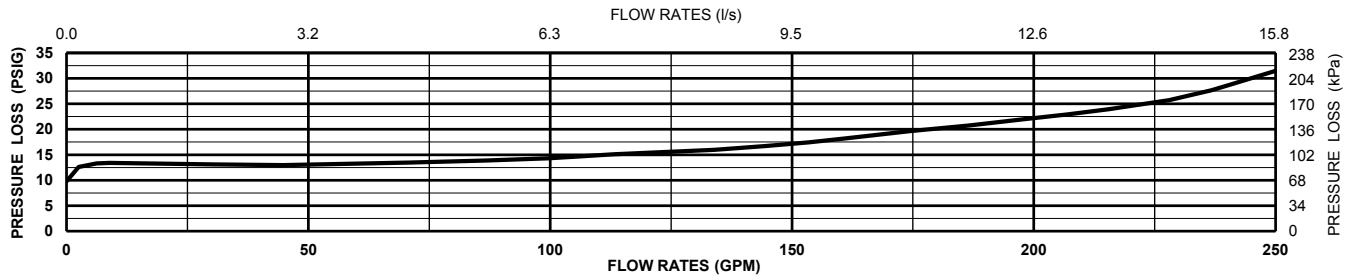
- Repair kit (rubber only)
- QT-SET Quick Test Fitting Set
- Breakaway Hydrant Lock for barrel lock*
- HBM-BHLB
- Breakaway Hydrant Lock for padlock*
- HBM-BHLP

* Locks supplied by end user.

2" Relief Valve Discharge Rate



MODEL 975XLHBM 2" (STANDARD & METRIC)



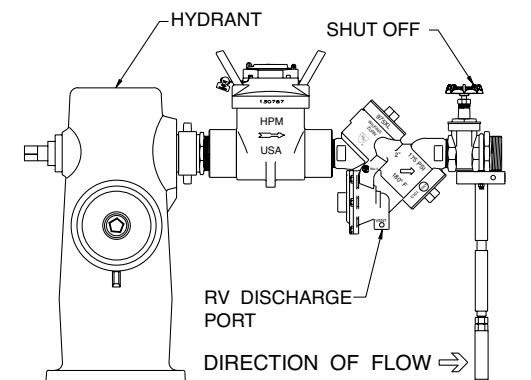
BREAKAWAY HYDRANT LOCK FOR BARREL LOCK (MODEL HBM-BHLB)



BREAKAWAY HYDRANT LOCK FOR PADLOCK (MODEL HBM-BHLP)

Dimensions & Weights (Do Not Include Pkg.)

SIZE		DIMENSIONS (approximate)														WEIGHT			
		A		B		C		D		E		F MAX		MIN					
in.	mm	in.	mm	in.	mm	in.	mm	in.	mm	in.	mm	in.	mm	in.	mm	in.	mm	lbs.	kg
2	50.8	27	685.8	8	203.2	6 3/4	171.4	3	76.2	4	101.6	27 1/4	692.2	7 1/2	190.5	40.6	18.4		



Typical Installation
HBM
Hydrant Backflow Meter

ACCURACY CHART

