

**Single Stage, Belt Drive, Electric Air Compressors**

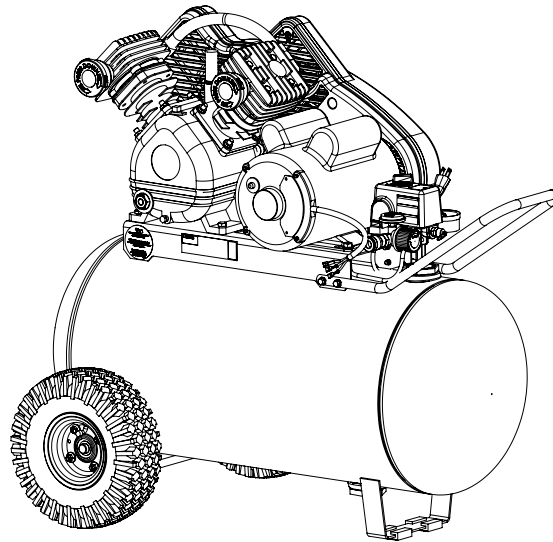
**Compresseurs d'air électriques à un étage à entraînement par courroie**

**Compresores eléctricos de aire, de una sola etapa y accionamiento por correa**

*Product style and configuration may vary.*

*Le style et la configuration du produit peuvent varier.*

*El estilo y la configuración del producto puede variar.*



- Français, p. 15-22
- Español, p. 23-31

**SPECIFICATION CHART / TABLEAU DES SPÉCIFICATIONS / CUADRO DE ESPECIFICACIONES**

MODEL NO. (MODÈLE) (MODELO)	RUNNING H.P. (CV)	TANK CAPACITY GALLONS (CAPACITÉ DU RÉSERVOIR - LITRES) (CAPACIDAD DEL TANQUE - LITROS)	VOLTAGE/AMPS/ PHASE (TENSION/AMPS/ PHASE) (VOLTAJE/AMP/FASE)	KICK-IN PRESSURE (PRESSION D'OUVERTURE) (PRESION DE CONEXION)	KICK-OUT PRESSURE (PRESSION DE FERM.) (PRESION DE DESCONEXION)
P1682066.MN	1.6	20 (75,7)	120/240-15/7.5-1	105 (7,23 bar)	135 (9,30 bar)
PC1682066.MN	1.6	20 (75,7)	120/240-15/7.5-1	105 (7,23 bar)	135 (9,30 bar)

**⚠ WARNING:** Read and understand all safety precautions in this manual before operating. Failure to comply with instructions in this manual could result in personal injury, property damage, and/or voiding of your warranty. The manufacturer **WILL NOT** be liable for any damage because of failure to follow these instructions.

**⚠ AVERTISSEMENT:** Lire et s'assurer de bien comprendre toutes les consignes de sécurité du présent manuel avant d'utiliser l'outil. Toute dérogation aux instructions contenues dans ce manuel peut entraîner l'annulation de la garantie, causer des blessures et/ou des dommages matériels. Le fabricant **NE SAURA** être tenu responsable de dommages résultant de l'inobservation de ces instructions.

**⚠ ADVERTENCIA:** Lea y comprenda todas las precauciones de seguridad contenidas en este manual antes de utilizar esta herramienta. El no cumplir con las instrucciones de este manual podría dar como resultado la anulación de su garantía, lesiones personales y/o daños a la propiedad. El fabricante **NO SERA** responsable de cualquier daño debido a no acatar estas instrucciones.

## TABLE OF CONTENTS

SAFETY GUIDELINES.....2-3	OPERATING INSTRUCTIONS ..... 6
OVERVIEW ..... 4	MAINTENANCE .....6-8
ASSEMBLY .....4	SERVICE INTERVAL ..... 8
COMPRESSOR CONTROLS..... 4	TROUBLESHOOTING CHART .....9
MOTOR RESET AND WIRING ..... 5	GLOSSARY OF TERMS .....9
ELECTRICAL POWER REQUIREMENTS..... 5	PARTS DRAWINGS AND PARTS LISTS ..... 10-14

## SAFETY GUIDELINES

The following information relates to protecting YOUR SAFETY and PREVENTING EQUIPMENT PROBLEMS. To help you recognize this information, we use the following symbols. Please read the manual and pay attention to these sections.









**⚠ DANGER:** – A POTENTIAL HAZARD THAT WILL CAUSE SERIOUS INJURY OR LOSS OF LIFE.

**⚠ WARNING:** – A POTENTIAL HAZARD THAT COULD CAUSE SERIOUS INJURY OR LOSS OF LIFE.










**⚠ CAUTION:** – A POTENTIAL HAZARD THAT MAY CAUSE MODERATE INJURY OR DAMAGE TO EQUIPMENT.

## IMPORTANT SAFETY INSTRUCTIONS

### ⚠ WARNING:

<b>RISK OF FIRE OR EXPLOSION.</b> 	Never spray flammable liquids in a confined area. It is normal for the motor and pressure switch to produce sparks while operating. If sparks come into contact with vapors from gasoline or other solvents, they may ignite, causing fire or explosion. Always operate the compressor in a well-ventilated area. Do not smoke while spraying. Do not spray where sparks or flame are present. Keep compressor as far from spray area as possible. Store flammable materials in a secure location away from compressor. Equip the area of operation with a fire extinguisher.
<b>RISK OF BURSTING.</b> 	Do not weld, drill or modify the air tank of this compressor. Welding or modifications on the air compressor tank can severely impair tank strength and cause an extremely hazardous condition. Welding or modifying the tank in any manner will void the warranty. If tank develops a leak, replace it immediately with a new tank or replace the entire compressor.
<b>RISK OF ELECTRICAL SHOCK.</b> 	Never use an electric air compressor outdoors when it is raining or on a wet surface, as it may cause an electric shock. Failure to provide adequate grounding to this product could result in serious injury or death from electrocution. Make certain that the electrical circuit to which the compressor is connected provides proper electrical grounding, correct voltage and adequate fuse protection.
<b>RISK OF INJURY.</b> 	This unit starts automatically. ALWAYS shut off the compressor, remove the plug from the outlet, and bleed all pressure from the system before servicing the compressor, and when the compressor is not in use. Do not use the unit with the shrouds or belt guard removed. Serious injury could occur from contact with moving parts. Stay alert and watch what you are doing when operating the compressor. Do not use the compressor while tired or under the influence of drugs or alcohol.
<b>RISK OF BURSTING.</b> 	Check the manufacturer's maximum pressure rating for air tools and accessories. Compressor outlet pressure must be regulated so as to never exceed the maximum pressure rating of the tool. Relieve all pressure through the hose before attaching or removing accessories. Never use compressor to inflate small low pressure objects such as children's toys, footballs, basketballs, etc.
<b>RISK OF BURNS.</b> 	High temperatures are generated by the pump and manifold. To prevent burns or other injuries, DO NOT touch the pump, manifold or transfer tube while the pump is running. Allow them to cool before handling or servicing. Keep children away from the compressor at all times. Do not reach around protective shrouds or attempt to maintenance until unit has been allowed to cool.
<b>RISK TO BREATHING/INHALATION HAZARD.</b> 	Always wear MSHA/NIOSH approved, properly fitting face mask or respirator and work in a well ventilated area when using tools that generate dust. Some dust created by power sanding, grinding, drilling and other construction activities contains chemicals known (to the State of California) to cause cancer, birth defects or other reproductive harm. Some examples of these chemicals are: <ul style="list-style-type: none"> <li>• lead from lead-based paints</li> <li>• crystalline silica from bricks and cement and other masonry products</li> <li>• arsenic and chromium from chemically treated lumber.</li> </ul>
<b>RISK TO BREATHING.</b> 	Be certain to read all labels when you are spraying paints or toxic materials, and follow the safety instructions provided on the label or safety sheets for the materials you are spraying. Use a MSHA/NIOSH approved respirator mask if there is a chance of inhaling anything you are spraying. Read all instructions and be sure that your respirator mask will protect you. Work in an area with good cross ventilation.

## IMPORTANT SAFETY INSTRUCTIONS

<b>RISK OF EYE INJURY.</b> 	Always wear ANSI Z87.1 approved safety goggles when using an air compressor. Never point any nozzle or sprayer toward a person, animal or any part of the body. Equipment can cause serious injury if the spray penetrates the skin.
<b>RISK OF BURSTING.</b> 	<ul style="list-style-type: none"> <li>•Do not adjust the pressure relief valve for any reason. Doing so voids all warranties. The relief valve has been pre-set at the factory for the maximum pressure of this unit. Personal injury and /or property damage may result if the relief valve is tampered with.</li> <li>•Do not use plastic or pvc pipe for compressed air. Use only galvanized steel pipe and fittings for compressed air distribution lines.</li> </ul>
<b>RISK OF FIRE.</b> 	Unattended operation of this compressor could result in personal injury or property damage. To reduce the risk of fire, do not allow the compressor to operate unattended. Always disconnect electrical power by turning the pressure switch to off and drain the tank daily or after each use.
<b>RISK TO BREATHING.</b> 	Air obtained directly from the compressor should never be used to supply air for human consumption. The air stream may contain carbon monoxide, toxic vapors, or solid particles from tank. Breathing these contaminant's can cause serious injury or death. In order to use air produced by this compressor for breathing, suitable filters and in-line safety equipment must be properly installed. In-line filters and safety equipment must be properly installed. In-line filters and safety equipment used in conjunction with the compressor must be capable of treating air to all applicable local and federal codes prior to human consumption.
<b>RISK OF INJURY.</b> 	Always operate the compressor in a stable secure position to prevent accidental movement of the unit. Never operate the compressor on a table, workbench, roof or other elevated position. Use additional air hose to reach high locations.
<b>RISK TO HEARING.</b> 	Always wear hearing protection when using an air compressor. Failure to do so may result in hearing loss.
<b>NOTE: ELECTRICAL WIRING.</b>	Refer to the air compressor's serial label for the unit's voltage and amperage requirements. Ensure that all wiring is done by a licensed electrician, in accordance with the National Electrical code.
 	<b>WARNING: CONTAINS LEAD.</b> May be harmful if eaten or chewed. May generate dust containing lead. Wash hands after use. Keep out of reach of children.
	<b>WARNING:</b> This product can expose you to chemicals including Lead, which is known to the State of California to cause cancer and birth defects or other reproductive harm. For more information go to <a href="http://www.P65Warnings.ca.gov">www.P65Warnings.ca.gov</a> .

### CAUTION:

Drain the moisture from the tank on a daily basis. A clean, dry tank will help prevent corrosion.
Pull the tank safety valve ring daily to ensure that the valve is functioning properly, and to clear the valve of any possible obstructions.
To provide proper ventilation for cooling, the compressor must be kept a minimum of 12 inches (31 cm) from the nearest wall, in a well-ventilated area. Restricting any of the compressor ventilation openings will cause overheating and could cause fire, never place objects against or on top of compressor.
Fasten the compressor down securely if transporting is necessary. Pressure must be released from the tank before transporting.
Protect the air hose and electric cord from damage and puncture. Inspect them weekly for weak or worn spots, and replace if necessary.
To reduce the risk of electric shock, do not expose to rain. Store indoors.
Never operate the compressor if the power cord or plug are damaged. Have the unit serviced at a qualified service center.

## OVERVIEW

### BASIC AIR COMPRESSOR COMPONENTS

The basic components of the air compressor are the electric motor, pump, pressure switch and tank (see Fig. 1).

The **electric motor** (see A) powers the pump. The electric motor is equipped with an **overload protector** to help prevent possible motor burnout. If the motor becomes overheated, the overload protector will shut it down. Should this occur, allow the motor to cool for 10-15 minutes, then press (never force) the motor reset switch to restart the motor.

The **pump** (see B) compresses the air and discharges it into the tank.

The **tank** (see C) stores the compressed air.

The **pressure switch** (see D) shuts down the motor and relieves air pressure in the pump and transfer tube when the air pressure in the tank reaches the kick-out pressure. As compressed air is used and the pressure level in the tank drops to the kick-in pressure, the pressure switch restarts the motor automatically, without warning and the pump

resumes compressing air.

The **air line outlet** (see E). Connect 1/4" NPT air hose to this outlet.

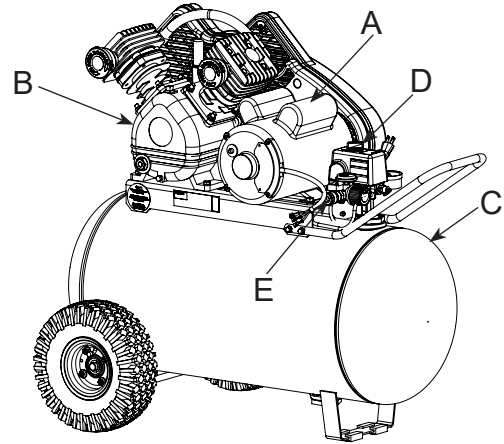


Fig. 1

## ASSEMBLY

### ASSEMBLING THE COMPRESSOR



This compressor was shipped with oil in the pump crankcase. Check oil before operating the air compressor, see Check Oil under Maintenance.

1. Unpack the air compressor. Inspect the unit for damage. If the unit has been damaged in transit, contact the carrier and complete a damage claim. Do this immediately because there are time limitations to damage claims.

The carton should contain:

- air compressor
- handle
- operator/parts manual

2. Check the compressor's serial label to ensure that you have received the model ordered, and that it has the required pressure rating for its intended use.
3. Attach handle to compressor as shown in Fig 2.
4. Locate the compressor according to the following guidelines:
  - a. Position the compressor near a grounded electrical outlet (see GROUNDING INSTRUCTIONS). **Avoid using an extension**

**cord**; use a longer hose instead.

- b. The flywheel side of the compressor must be at least 12 inches (31 cm) from any wall or obstruction, in a clean, well-ventilated area, to ensure sufficient air flow and cooling.
- c. In cold climates, store portable compressors in a heated building when not in use. This will reduce problems with lubrication, motor starting and freezing of water condensation.
- d. The compressor must be level to ensure proper lubrication of the pump and good drainage of the moisture in the tank.

5. Connect an air hose (not included) to the manifold outlet.

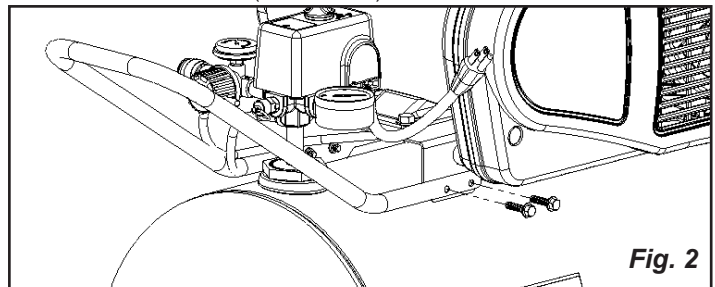


Fig. 2

## COMPRESSOR CONTROLS

### Pressure Switch (see A)

This switch turns on the compressor. It is operated manually, but when in the AUTO position, it allows the compressor to start up or shut down automatically, without warning, upon air demand. ALWAYS set this switch to OFF when the compressor is not being used, and before unplugging the compressor.

### Tank Safety Valve (see B)

Used to allow tank pressure to escape into the atmosphere. If the pressure switch does not shut off the compressor at its "cut-out" pressure setting, the safety valve will protect against high pressure by releasing tank pressure at its factory set pressure (slightly higher than the pressure switch "cut-out" setting). To operate manually, pull the ring on the valve to relieve air pressure in the tank.

### Pressure Release Valve (see C)

The pressure release valve (located on the bottom of the pressure switch), is designed to release compressed air from the compressor head and outlet tube when the compressor reaches "cut-out" or is shut off. The pressure valve allows the motor to restart freely. When the motor stops running, air will be heard escaping from this valve for a few seconds. No air should be heard leaking when the motor is running or after brief release after reaching "cut-out" pressure.

### Tank Pressure Gauge (see D)

This gauge measures the pressure level of the air stored in the tank. It is not adjustable by the operator, and does *not* indicate line pressure.

### Air Pressure Regulator (see E)

This air pressure regulator enables you to adjust line pressure to the tool you are using.

**! WARNING:** Never exceed the maximum working pressure of the tool.

To adjust pressure setting, turn the knob clockwise to increase pressure, and counterclockwise to decrease pressure.

### Regulated Pressure Gauge (see F)

This gauge measures the regulated line pressure.

### Air line outlet (see G)

Connect 1/4" NPT air hose to this outlet.

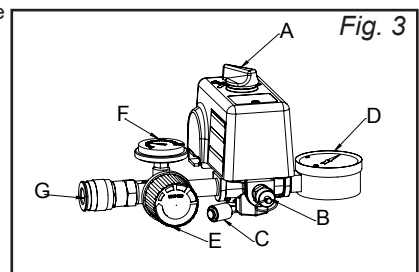


Fig. 3

## MOTOR RESET AND WIRING

### MOTOR RESET SWITCH

**WARNING:** Ensure that all guards and shrouds are in place before pressing the reset switch to restart the motor.

If the motor shuts down because of overload, wait 10–15 minutes so the motor can cool down, then press (*NEVER force*) the reset switch (see **H**) to restart the motor.

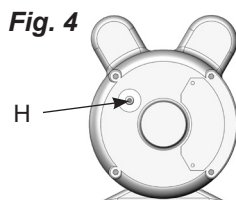
**NOTE:** Some models are equipped with a dual voltage motor 120/240 volt. Most models are factory wired for 120 volt operation. If conversion from 120 volt to 240 volt is required, refer to the motor nameplate and have the conversion completed by a Licensed Electrician.

### ELECTRICAL WIRING

Refer to the air compressor's serial label for the unit's voltage and amperage requirements.

#### Use a dedicated circuit

For best performance and reliable starting, the air compressor must be plugged into a dedicated circuit, as close as possible to the fuse box or circuit breaker. The compressor will use the full capacity of a typical 15 amp household circuit. If any other electrical devices are drawing from the compressor's circuit, the compressor may fail to start. Low voltage or an overloaded circuit can result in sluggish starting that



causes the motor overload protection system or circuit breaker to trip, especially in cold conditions.

**NOTE:** To handle the initial electrical load of starting the air compressor, a circuit breaker is recommended. If the air compressor is connected to a circuit protected by a fuse, use dual element time delay fuses (Buss Fusetron type "T" only).

### EXTENSION CORDS

**NOTE:** Avoid use of extension cords.

For optimum performance, plug the compressor power cord directly into a grounded wall socket. Do not use an extension cord unless absolutely necessary. Instead, use a longer air hose to reach the area where the air is needed.

If use of an extension cord cannot be avoided, the cord should be no longer than 50 feet and be a minimum wire size of 12 gauge (AWG). Do not use a 16 or 14 gauge extension cord.

Use only a 3-wire extension cord that has a 3-blade grounding plug, and a 3-slot receptacle that will accept the plug on the product. Make sure your extension cord is in good condition. An undersized cord will cause a drop in line voltage, resulting in loss of power and overheating. The smaller the gauge number, the heavier the cord.

### GROUNDING INSTRUCTIONS

This product should be grounded. In the event of an electrical short circuit, grounding reduces the risk of electric shock by providing an escape wire for the electric current.

## ELECTRICAL POWER REQUIREMENTS

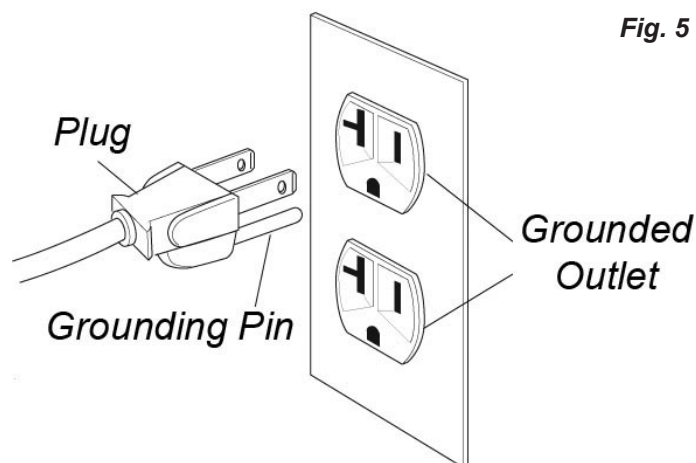
This product is equipped with a cord having a grounding wire with an appropriate grounding plug. The plug must be plugged into an outlet that is properly installed and grounded in accordance with all local codes and ordinance.

**DANGER:** Improper installation of the grounding plug can result in a risk of electric shock. If repair or replacement of the cord or plug is necessary, do not connect the grounding wire to either flat blade terminal of the plug. The wire insulation having an outer surface that is green with or without yellow stripes is the grounding wire.

This product is for use on a 120 volt circuit. A cord with a grounding plug, as shown here, shall be used.

Make sure that the product is connected to an outlet having the same configuration as the plug (see **Fig. 5**). No adapter should be used with this product.


Check with a licensed electrician if the grounding instructions are not completely understood, or if in doubt as to whether the product is properly grounded. Do not modify the plug provided; if it will not fit the outlet, have the proper outlet installed by a licensed electrician.



# OPERATING INSTRUCTIONS

## BREAK-IN OF THE PUMP

1. Check the oil level in the pump (see "Checking the Oil" in the maintenance section).
2. Turn the pressure switch to the OFF position (see C).
3. Open the petcock (see F).

 **CAUTION:** Escaping air and moisture can propel debris that may cause eye injury. Wear safety goggles when opening petcock.

4. Plug in the power cord.
5. Turn the pressure switch to the AUTO position (see D). The motor should start. Allow the compressor to run for 30 minutes, to break in the internal parts.


**NOTE:** After about 30 minutes, if the unit does not operate properly, SHUT DOWN IMMEDIATELY, and contact a qualified service center. **DO NOT** return the unit to the store where it was purchased.

6. After about 30 minutes, turn the pressure switch to the OFF position (see C).
7. Close the petcock (see E). Turn in the clockwise direction.
8. Turn the pressure switch to the AUTO position. The compressor will start and fill the tank to the cut-out pressure and stop.

**NOTE:** As compressed air is used, the pressure switch will restart the motor automatically to supply more compressed air to the tank.


## DAILY START-UP

1. Check the oil level in the pump (see "Checking the Oil" in the maintenance section).
2. Turn the pressure switch to the OFF position (see C).
3. Close the tank petcock (see E). Turn in the clockwise direction.
4. Plug in the power cord.
5. Turn the pressure switch to the AUTO position (see D). The pump will start filling the tank with air. When the air pressure in the tank reaches the level preset at the factory, the pressure switch will turn off the electric motor. As air is used and the pressure level in the tank drops, the pressure switch will start the motor and the pump will begin refilling the tank.

 **WARNING:** High temperatures are generated by the pump. To prevent burns or other injuries, **DO NOT** touch the pump or transfer tube while the pump is running. Allow it to cool before handling or servicing. Keep children away from the compressor at all times.


**NOTE:** If the unit does not operate properly, SHUT DOWN IMMEDIATELY, and contact a qualified service center.

6. If a pressure regulator is present on your compressor, adjust it to the working pressure of the tool.

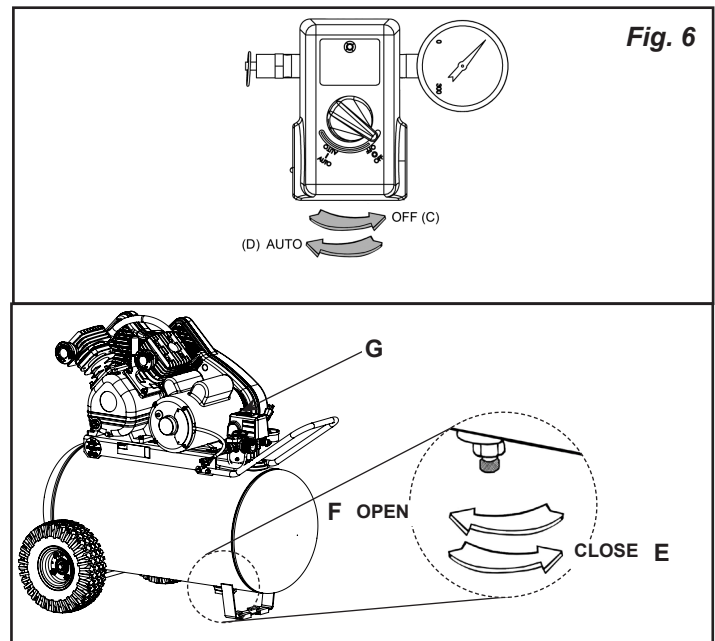
 **WARNING:** When adjusting from a higher to a lower pressure, turn the knob counterclockwise past the desired setting, then turn clockwise to reach the desired pressure. Do not exceed operating pressure of the tool or accessory being used.

## SHUTDOWN

1. Turn the pressure switch to the OFF position (see C).
2. Unplug the power cord.
3. Reduce pressure in the tank through the outlet hose. You can also pull the relief valve ring (see G) and keep it open to relieve pressure in the tank.


 **CAUTION:** Escaping air and moisture can propel debris that may cause eye injury. Wear safety goggles when opening petcock.

4. Open the petcock (see F) to allow moisture to drain from the tank.



# MAINTENANCE


## MAINTENANCE

 **WARNING:** RISK OF INJURY. This unit starts automatically. ALWAYS shut off the compressor, remove the plug from the outlet, and bleed all pressure from the system before servicing the compressor, and when the compressor is not in use. Do not use the unit with the shrouds or belt guard removed. Serious injury could occur from contact with moving parts.

Regular maintenance will ensure trouble-free operation. Your electric powered air compressor represents high-quality engineering and construction; however, even high-quality machinery requires periodic maintenance. The items listed below should be inspected on a regular basis.

## DRAINING THE TANK

Drain the moisture from the tank (for instructions, see "Shutdown" in the operating instructions section).

 **WARNING:** Condensation will accumulate in the tank. To prevent corrosion of the tank from the inside, this moisture must be drained at the end of every workday. Wear protective eyewear.

**NOTE:** In cold climates, drain the tank after each use to reduce problems with freezing of water condensation.

## MAINTENANCE

### CHECKING THE OIL

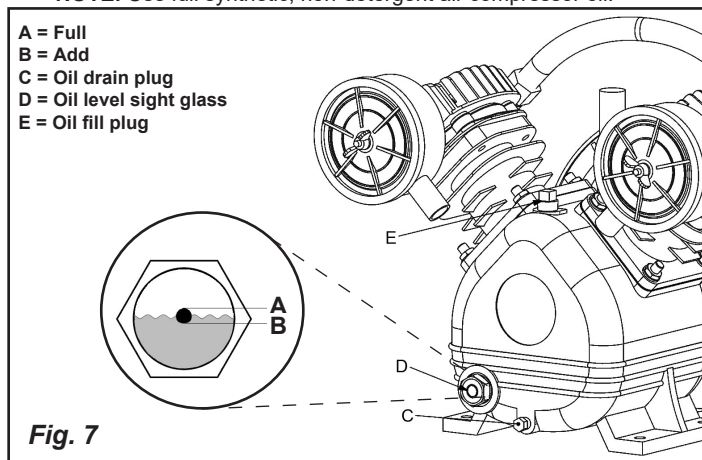
Check the level of oil in the pump with the sight glass. The pump oil level must be between **A** and **B**. Do not overfill or underfill.

**NOTE:** Use full synthetic, non-detergent air compressor oil.

### CHANGING THE OIL

Remove the oil plug (**C**) and drain the oil until it slows to a drip, then close. Unscrew the oil fill plug (**E**) and add compressor oil (approx. 11.35 oz.) until it is between full (**A**) and add (**B**). Replace the oil fill plug. Never overfill or under fill the pump.

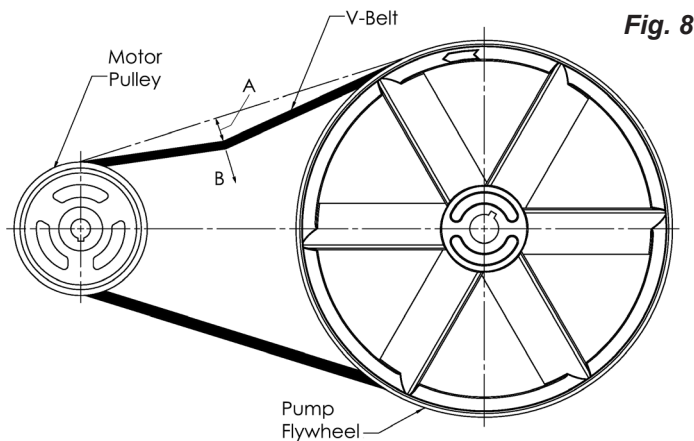
**NOTE:** Use full synthetic, non-detergent air compressor oil.



### DRIVE BELT TENSION ADJUSTMENT

**NOTE:** Drive belt tensioning and pulley alignment are done at the same time. They are discussed separately for clarity.

**WARNING:** RISK OF INJURY. This unit starts automatically. ALWAYS shut off the compressor, remove the plug from the outlet, and bleed all pressure from the system before servicing the compressor, and when the compressor is not in use. Do not use the unit with the shrouds or belt guard removed. Serious injury could occur from contact with moving parts.



Proper belt tension and pulley alignment must be maintained for maximum drive efficiency and belt life. The correct tension exists if a deflection (see **A**) of 1/2" (13 mm) occurs by placing 5 lbs. (2.3 kg) of force (see **B**) midway between the motor pulley and the pump flywheel (See **Fig. 8**). This deflection can be adjusted by the following procedure. The pulley should be carefully aligned with the flywheel, and all setscrews

should be kept tight.

1. Remove the belt guard.
2. Loosen the motor mounting bolts.
3. Shift the motor to the point where the correct deflection exists (**A** & **B**).
4. Retighten the motor mounting bolts to 130-180 in.-lbs.
5. Check to ensure that the tension remained correct.
6. Reinstall the belt guard. All moving parts must be guarded.

### PULLEY ALIGNMENT

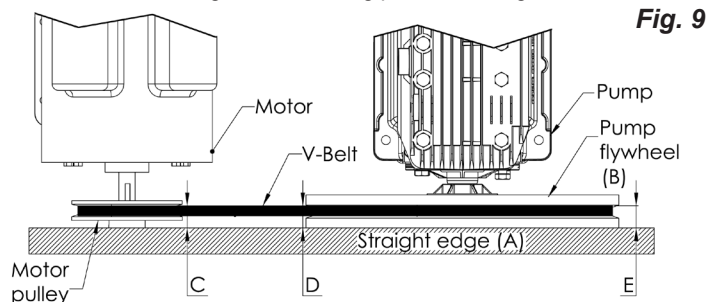
**NOTE:** Drive belt tensioning and pulley alignment are done at the same time. They are discussed separately for clarity.

**WARNING:** RISK OF INJURY. This unit starts automatically. ALWAYS shut off the compressor, remove the plug from the outlet, and bleed all pressure from the system before servicing the compressor, and when the compressor is not in use. Do not use the unit with the shrouds or belt guard removed. Serious injury could occur from contact with moving parts.

**NOTE:** Once the motor pulley has been moved from its factory set location, the grooves of the flywheel and pulley must be aligned to within 1/16" to prevent excessive belt wear.

To check pulley alignment, remove the belt guard and place a straightedge (see **A**) against the pump flywheel (see **B**) (See **Fig. 9**). Measure and record the distance from the straightedge to the edge of the drive belt at point **C**. Then measure the distance from the straightedge to the edge of the drive belt again at points **D** and **E**. Both distances should be the same as at point **C**. If **D** or **E** are different from **C**, there is a misalignment which must be corrected before the compressor is run. To correct a pulley misalignment, use the following procedure.

1. Remove the belt guard.
2. Loosen the motor mounting bolts.
3. Align the motor pulley with the pump flywheel (**C-D-E** must be equal).
4. Adjust the proper belt tension.
5. Retighten the motor mounting bolts to 130-180 in.-lbs.
6. Reinstall the belt guard. All moving parts must be guarded.



### DRIVE BELT REPLACEMENT

**WARNING:** RISK OF INJURY. This unit starts automatically. ALWAYS shut off the compressor, remove the plug from the outlet, and bleed all pressure from the system before servicing the compressor, and when the compressor is not in use. Do not use the unit with the shrouds or belt guard removed. Serious injury could occur from contact with moving parts.

1. Remove the belt guard.
2. Loosen the motor mounting bolts.
3. Shift the motor towards the pump to the point where the belts can be easily removed and installed.
4. Remove and replace belts. **NOTE:** The belts must be centered over the grooves on the flywheel and motor pulley.

## MAINTENANCE

5. Shift the motor back to the point where the correct deflection exists (see "Drive Belt Tension Adjustment").
6. Retighten the motor mounting bolts to 130-180 in.-lbs.
7. Check to ensure that the tension remained correct.
8. Reinstall the belt guard. All moving parts must be guarded.

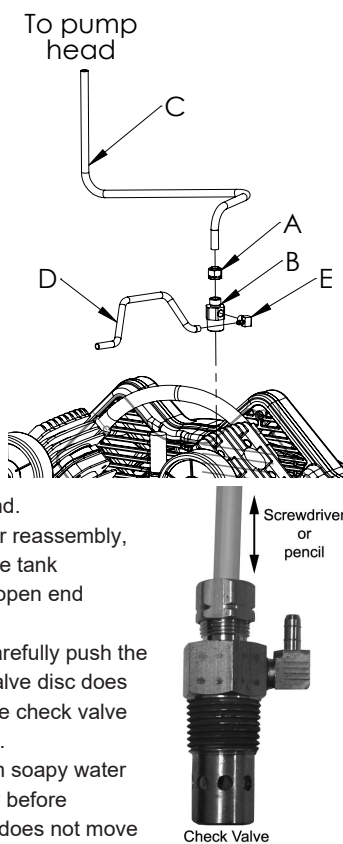
7. Apply thread sealant to the check valve threads and reinstall into the tank by turning clockwise. Make sure it is the same orientation as when it was removed.
8. Replace the bleeder tube by pushing it back onto the barbed fitting of the elbow.
9. Replace the transfer tube and tighten compression nut.

### TO REPLACE OR CLEAN CHECK VALVE



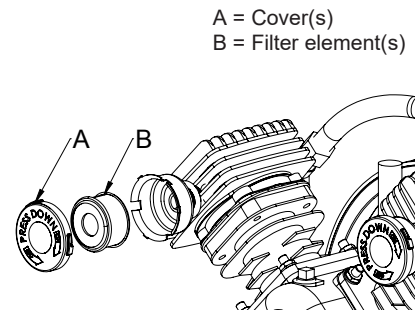
**WARNING: RISK OF INJURY.** This unit starts automatically. ALWAYS shut off the compressor, remove the plug from the outlet, and bleed all pressure from the system before servicing the compressor, and when the compressor is not in use. Do not use the unit with the shrouds or belt guard removed. Serious injury could occur from contact with moving parts.

1. Turn air compressor off, remove the power cord from the outlet or lock out the power supply and relieve all the air pressure from the tank (refer to "Shutdown" in Operating Instructions). Make sure the compressor has cooled down before servicing.
2. Using the appropriately sized wrench, loosen the compression nut (A) on the check valve (B). Gently move the transfer tube (C) out of the way.
3. Remove the bleeder tube (D) from the elbow (E) located on the side of the check valve by gently pulling it off the barbed end.
4. Making note of the orientation for reassembly, unscrew the check valve from the tank (counterclockwise) using a 7/8" open end wrench.
5. Using a pencil or screwdriver, carefully push the valve disc up and down. If the valve disc does not move freely up and down, the check valve needs to be cleaned or replaced.
6. Clean the check valve with warm soapy water and make sure to dry thoroughly before reinstalling. If the disc valve still does not move freely up and down, it will need to be replaced.



### CLEANING THE AIR FILTERS

A dirty air filter will reduce the compressor's performance and life. To avoid any internal contamination of the pump, the filters should be cleaned frequently, and replaced on a regular basis. Felt filters should be cleaned in warm, soapy water, rinsed, and allowed to air dry before reinstallation. Paper filters should be replaced when dirty. Do not allow the filters to become filled with dirt or paint. If the filter becomes filled with paint, it should be replaced. Direct exposure to dirty conditions or painting areas will void your warranty.



### CHECKING THE RELIEF VALVE

Pull the tank safety valve daily to ensure that it is operating properly and to clear the valve of any possible obstructions.

### TESTING FOR LEAKS

Check that all connections are tight. A small leak in any of the hoses, transfer tubes, or pipe connections will substantially reduce the performance of your air compressor. If you suspect a leak, spray a small amount of soapy water around the area of the suspected leak with a spray bottle. If bubbles appear, repair or replace the faulty component. Do not over tighten any connections.

### STORAGE

Before storing the compressor for a prolonged period, use an air blow gun to clean all dust and debris from the compressor. Disconnect the power cord and coil it up. Pull the tank safety valve to release all pressure from the tank. Drain all moisture from the tank. Clean the filter elements and filter housings; replace the elements if necessary. Drain the oil from the pump crankcase and replace it with new oil. Cover the entire unit to protect it from moisture and dust.

## SERVICE INTERVAL

Perform the following maintenance at the intervals indicated below.	Daily or after each use	Every 100 operating hours	After first 8 hours and then every 100 operating hours
Inspect air filters (clean or replace as necessary)	•		
Check pump oil level	•		
Change pump oil ( <i>Use full synthetic, non-detergent air compressor oil.</i> )		•	
Operate the tank safety valve	•		
Check belt tension		•	
Drain tank	•		
Check and tighten all bolts ( <i>do not over tighten</i> )			•



## TROUBLESHOOTING

**Note:** Troubleshooting problems may have similar causes and solutions.

PROBLEM	POSSIBLE CAUSE	SOLUTION
<b>Excessive current draw trips circuit breaker or motor reset switch</b>	Low voltage/motor overload	Check that power supply is adequate and that compressor is on a dedicated circuit.
	Drive belt tension too tight	Readjust belt tension.
	Restricted air passages	Inspect and replace transfer tubes or the check valve, (see "To replace or clean check valve" in the maintenance section).
<b>Compressor stalls</b>	Low voltage to motor	Furnish adequate power.
	Bad check valve	Replace the check valve (see "To replace or clean check valve" in the maintenance section).
	Seized pump	Contact a qualified service center.
<b>Low discharge pressure</b>	Air leaks	Tighten or replace leaking fittings or connections. Do not overtighten.
	Leaking valves	Contact a qualified service center.
	Restricted air intake	Clean or replace air filter element(s).
	Blown gaskets	Contact a qualified service center.
	Worn piston rings or cylinder	Contact a qualified service center.
<b>Compressor pump knocking</b>	Loose motor pulley or pump flywheel	Retighten pulley and flywheel. Check alignment.
	Low oil level in pump crankcase	Keep oil at proper level at all times.
	Excess carbon on valves or top of piston	Contact a qualified service center.
<b>Oil in discharge air</b>	Worn piston rings or cylinder	Contact a qualified service center.
	Restricted air intake	Clean or replace the air filter element(s).
	Oil level too high	Reduce to proper level.
<b>Overheating</b>	Poor ventilation	Relocate compressor to an area with cool, dry, well circulated air, at least 12 in. from nearest wall.
	Dirty cooling surfaces	Clean all cooling surfaces thoroughly.
	Restricted air passages	Inspect and replace transfer tubes or the check valve, (see "To replace or clean check valve" in the maintenance section).
<b>Excessive belt wear</b>	Pulley out of alignment	Realign pulley with compressor flywheel.
	Improper belt tension	Readjust.
	Pulley wobbles	Replace the pulley and check for a damaged crankshaft or flywheel.
<b>Compressor won't start in cold temperatures</b>	Too much back pressure in tank	Open petcock when starting motor.
	40W oil in crankcase	Use full synthetic, non-detergent air compressor oil.
	Compressor too cold	Move compressor to a warmer location.
<b>Air leaking through bleeder valve after compressor shuts off</b>	Dirty or defective check valve.	Replace or clean the check valve (see "To replace or clean check valve" in the maintenance section).

## GLOSSARY OF TERMS

**CFM:** Cubic feet per minute; a unit of measure of air flow.

**PSI:** Pounds per square inch; a unit of measure of air pressure.

**Cut-in pressure:** While the motor is off, air tank pressure drops as you continue to use your accessory. When the tank pressure drops to factory set low pressure point, the motor will restart automatically. The low pressure at which the motor automatically restarts is called "cut-in" pressure.

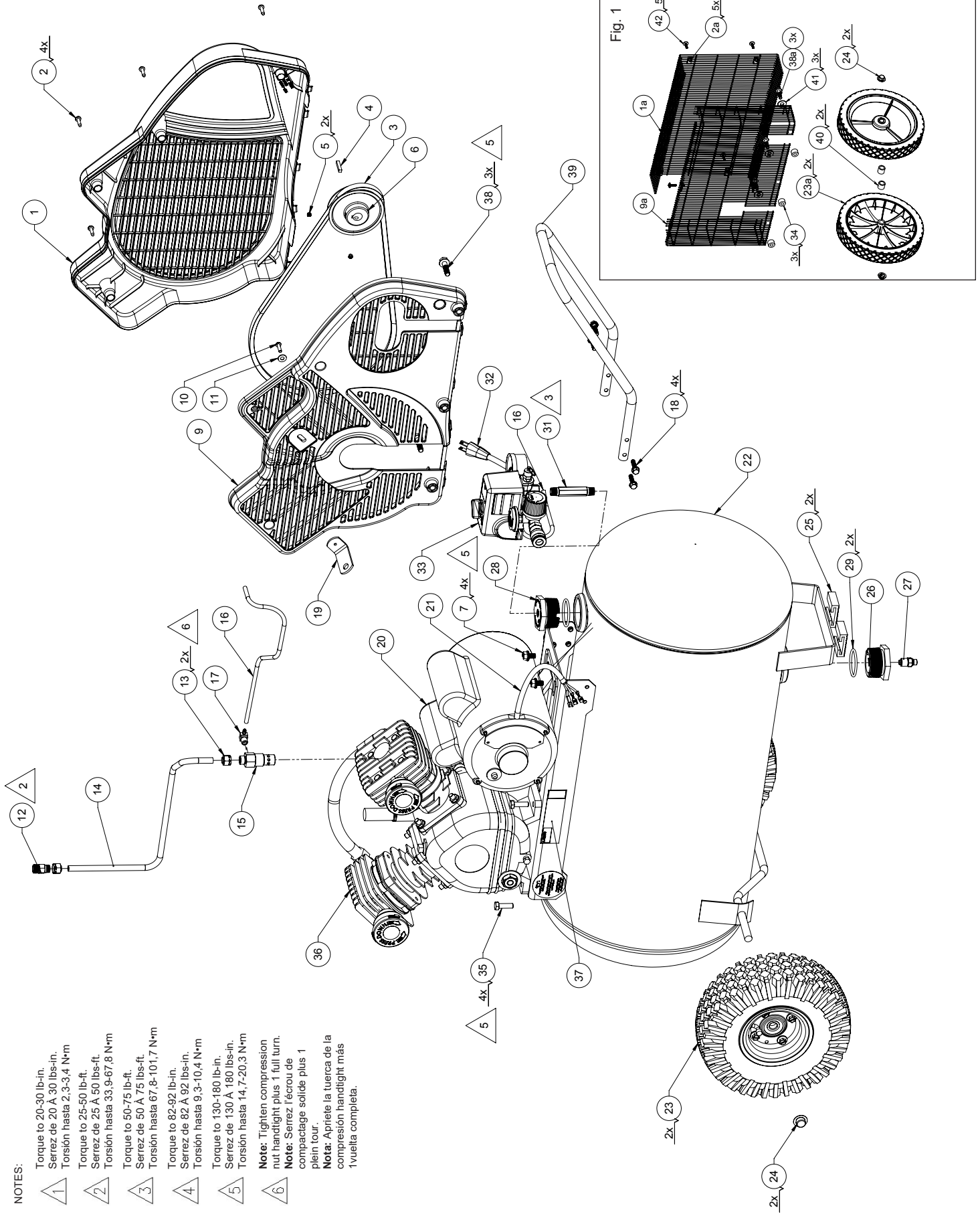
**Cut-out pressure:** When an air compressor is turned on and begins to

run, air pressure in the air tank begins to build. It builds to the factory set high pressure point before the motor automatically shuts off, protecting your air tank from pressure higher than its capacity. The high pressure at which the motor shuts off is called "cut-out" pressure.

**Well-ventilated:** Means of providing fresh air in exchange for dangerous exhaust or vapors.

**Dedicated circuit:** An electrical circuit reserved for the exclusive use of the air compressor.

PARTS DRAWING / DESSIN DES PIÈCES / ESQUEMA DE LAS PIEZAS



NOTES:

- 1 Torque to 20-30 lb-in.  
Serrez de 20 A 30 lbs-in.  
Torsión hasta 2,3-3,4 N•m
- 2 Torque to 25-50 lb-ft.  
Serrez de 25 A 50 lbs-ft.  
Torsión hasta 33,9-67,8 N•m
- 3 Torque to 50-75 lb-ft.  
Serrez de 50 A 75 lbs-ft.  
Torsión hasta 67,8-101,7 N•m
- 4 Torque to 82-92 lb-in.  
Serrez de 82 A 92 lbs-in.  
Torsión hasta 9,3-10,4 N•m
- 5 Torque to 130-180 lb-in.  
Serrez de 130 A 180 lbs-in.  
Torsión hasta 14,7-20,3 N•m
- 6 **Note:** Tighten compression nut handtight plus 1 full turn.  
**Note:** Serrez l'écrou de compactage solide plus 1 plein tour.  
**Note:** Apriete la tuerca de la compresión handtight más 1 vuelta completa.

## PARTS LIST / LISTE DE PIÈCES / LISTA DE LA PIEZAS

Item Article Artículo	Part No N° / P Núm / P	Qty Qté Cant	Description	Descripción	Descripción
1	125-0208	1	Beltguard, outer	Garant	Protector
or 1a (Fig. 1)	125-0175	1	Beltguard, outer, wire	Garant	Protector
2	061-0152	4	Screw, #10-14 X 3/4"	Attache	Sujetador
or 2a (Fig. 1)	103-0205	5	U-nut, spring	Attache	Sujetador
3	007-0009	1	V-Belt, 4L-450	Courroie	Correa
4	146-0016	1	Key	Clé	Chaveta
5	061-0238	2	Setscrew, 5/16"-18 x 3/8"	Vis d'arrêt	Tomillo fijador
6	006-0174	1	Pulley	Poulie	Polea
7	059-0012	4	Bolt, 5/16 x 1/2	Boulon	Perno
9	125-0207	1	Beltguard, inner	Garant	Protector
or 9a (Fig. 1)	125-0174	1	Beltguard, inner, wire	Garant	Protector
10	061-0212	1	Screw, #10-32 x 3/4"	Vis	Tomillo
11	060-0146	1	Washer, #10	Rondelle	Arandela
12	068-0092	1	Connector	Connecteur	Conector
13	058-0007	2	Nut, 3/8" O.D. tube	Écrou	Tuerca
14	145-0697	1	Tube, transfer	Tube	Tubo
15	031-0037	1	Check Valve, 1/2" x 3/8"	Soupape	Válvula
16	145-0324	1	Tube, bleeder 1/4" x 28"	Tube	Tubo
17	064-0056	1	Elbow, 90° brass	Coude	Codo
18	059-0457	4	Bolt, 1/4" x 1"	Écrou	Tuerca
19	114-0619	1	Bracket, beltguard	Support	Soporte
20	160-0345 (Better)	1	Motor (BTM56RB34D1.8M) (See capacitor table below)	Moteur (BTM56RB34D1.8M) (voir le tableau de condensateur ci-dessous)	Motor (BTM56RB34D1.8M) (vea la tabla del condensador abajo)
or	160-0354 (Zhengli)	1	Motor (56S34D1.8M) (See capacitor table below)	Moteur (56S34D1.8M) (voir le tableau de condensateur ci-dessous)	Motor (56S34D1.8M) (vea la tabla del condensador abajo)
or	160-0360 (Marathon)	1	Motor (5KCR160DXP0023Y) (See capacitor table below)	Moteur (5KCR160DXP0023Y) (voir le tableau de condensateur ci-dessous)	Motor (5KCR160DXP0023Y) (vea la tabla del condensador abajo)
or	160-0355 (Zhengli)	1	Motor (56S34D2M) (See capacitor table below)	Moteur (56S34D2M) (voir le tableau de condensateur ci-dessous)	Motor (56S34D2M) (vea la tabla del condensador abajo)
21	026-0233	1	Cord, interconnect	Câble	Cordón
22	153-0194	1	Tank assembly (9" wheel) (includes items 23-30, & 34)	Ensemble du réservoir (inclut les articles 23-30, et 34)	Conjunto de tanque (incluye los artículos 23-30, y 34)
or	153-0163	1	Tank assembly (10" wheel) (includes items 23-30, & 39)	Ensemble du réservoir (inclut les articles 23-30, et 39)	Conjunto de tanque (incluye los artículos 23-30, y 39)
23	095-0096	2	Wheel, pneumatic 10"	Roue	Rueda
or 23a (Fig. 1)	095-0089	2	Wheel, plastic 9"	Roue	Rueda
24	033-0001	2	Hubcap 1/2"	Chapeau de moyeu	Tapacubo
25	094-0029	2	Pad	Tampon	Almohadilla
or	094-0031	1	Pad	Tampon	Almohadilla
26	512-0035	1	Bushing, 1-1/2 NPSM x 1/4 NPT	Bague	Buje
27	072-0006	1	Petcock	Robinet de purge	Llave de desagüe
28	512-0039	1	Pipe plug, 1-1/2 NPSM	Bouchon	Tapón
29	513-0002	2	O-Ring 1-1/2	Joint torique	Anillo tórico
30	098-3870	1	Label, warning (not shown)	D'avertissement étiquette (non représenté)	Etiqueta de advertencia (no se muestra)
31	065-0005	1	Nipple, 1/4" x 2-1/2"	Manchon fileté	Niple
32	026-0030	1	Cord, power	Câble	Cordón
33	See page 14	1	Manifold assembly	Ensemble du collecteur	Conjunto de múltiple
34	060-0217	3	Spacer	Spacer	Spacer
35	059-0009	4	Bolt, 5/16 x 1"	Boulon	Perno
36	See pages 12-13	1	Pump assembly	Ensemble du pompe	Conjunto de bomba
37	098-2856	1	Label, warning	D'avertissement étiquette	Etiqueta de advertencia
38	059-0410	3	Bolt, 5/16-18 x 1.25	Boulon	Perno
or 38a (Fig. 1)	059-0012	3	Bolt, 5/16 x 1/2	Boulon	Perno
39	112-0214	1	Handle	Manette	Manija
40	060-0218	2	Spacer	Spacer	Spacer
41	060-0023	3	Washer, 3/8	Rondelle	Arandela
42	061-0255	5	Screw, M5 x 20mm	Vis	Tomillo

### CAPACITORS / CONDENSATEURS / CONDENSADORES

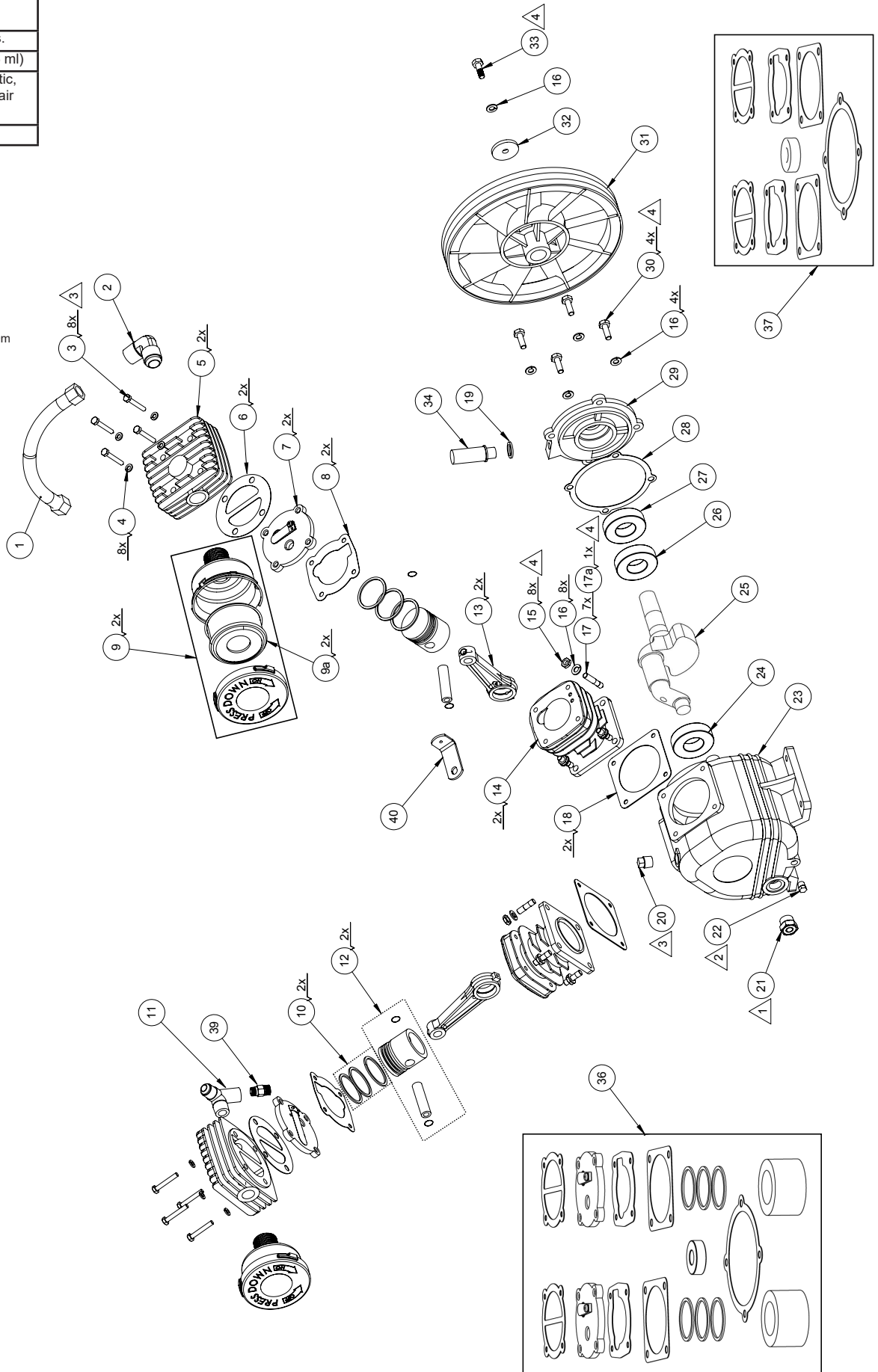
	Start capacitor Le condensateur de démarrage La condensador de arranque	Start capacitor cover Le couvercle de démarrage du condensador La tapa de arranque la condensador	Run capacitor Le condensateur de marche La condensador de funcionar	Run capacitor cover Le couvercle de marche du condensateur La tapa de funcionar la condensador
<b>Better motor</b>	166-0198 (BT198K18-166-0198)	166-0200 (BT198K18-166-0200)	166-0199 (BT198K18-166-0199)	166-0200 (BT198K18-166-0200)
<b>Zhengli motor</b>	166-0208 (Zhengli P/N 2901)	166-0210 (Zhengli P/N 1401)	166-0209 (Zhengli P/N 1501)	166-0210 (Zhengli P/N 1401)
<b>Marathon motor</b>	166-0215 (81.409.1.18)	166-0210 (81.14.1.16)	166-0216 (81.409.2.112)	166-0210 (81.14.1.16)

# PARTS DRAWING / DESSIN DES PIÈCES / ESQUEMA DE LAS PIEZAS

PUMP - 040-0469 Specifications	
Weight	Approx. 31 Lbs.
Oil Capacity	11.35 oz / (336 ml)
Lubrication	Use full synthetic, non-detergent air compressor oil
Max RPM	1240

NOTES:

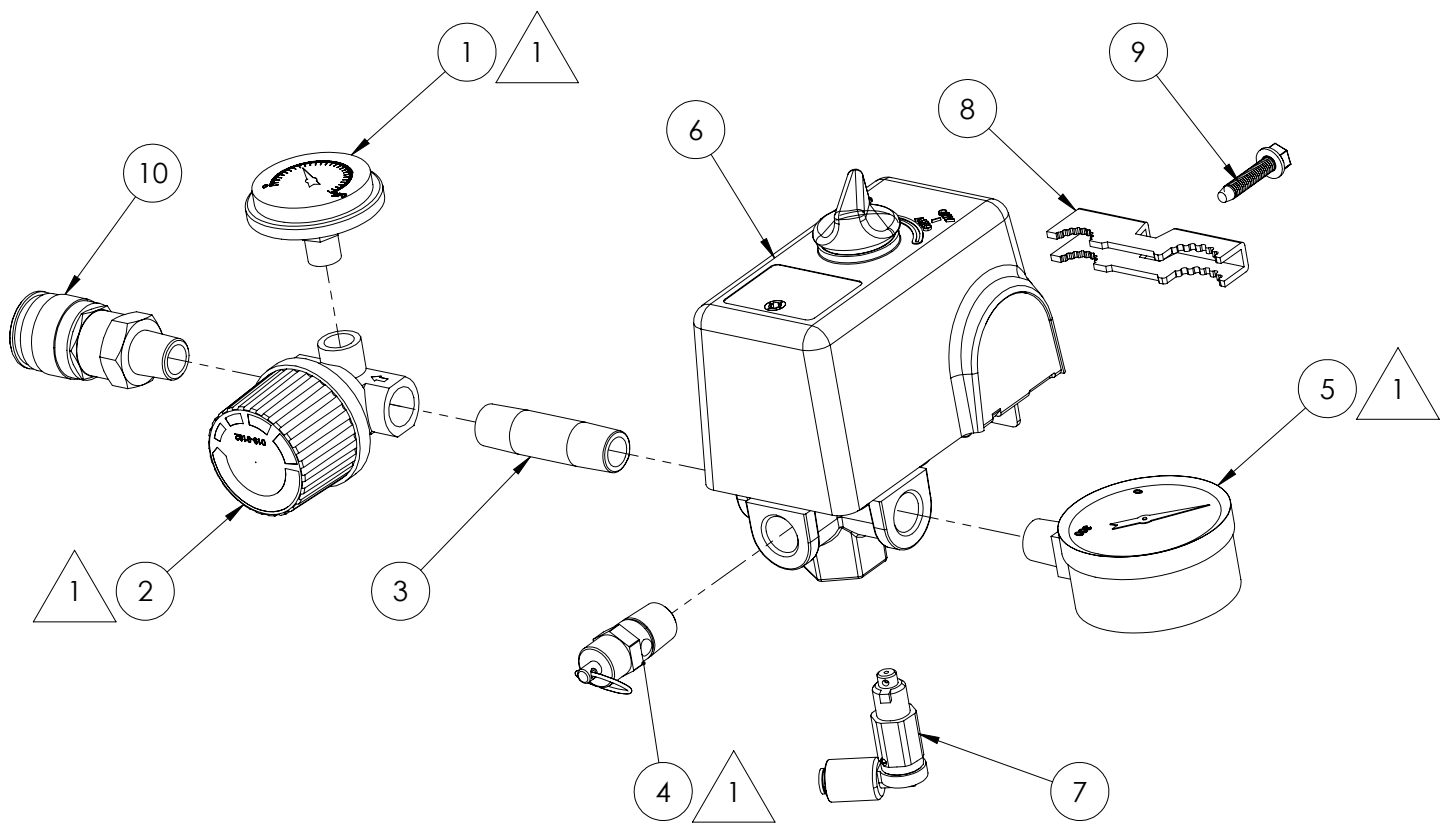
- 1 Torque to 5 lb-ft.  
Serrez de 5 lbs-ft.  
Torsión hasta 6,8 N·m
- 2 Torque to 8 lb-ft.  
Serrez de 8 lbs-ft.  
Torsión hasta 10,8 N·m
- 3 Torque to 9-12 lb-ft.  
Serrez de 9 A 12 lbs-ft.  
Torsión hasta 12,2-16,3 N·m
- 4 Torque to 14-16 lb-ft.  
Serrez de 14 A 16 lbs-ft.  
Torsión hasta 19-21,7 N·m




**PARTS LIST / LISTE DE PIÈCES / LISTA DE LA PIEZAS**

Item Article Artículo	Part No N° / P Núm / P	Qty Qté Cant	Description	Description	Descripción
1	145-0486	1	Tube, with compression nuts	Tube	Tubo
2	065-0107	1	Elbow	Coude	Codo
3	061-0238	8	Socket head cap screw, M6 x 40mm	Vis	Tornillo
4	060-0224	8	Washer, M6	Rondelle	Arandela
5	042-0121	2	Head, cylinder	Tête	Cabezal
6	046-0302	2	Gasket, cylinder head	Gasket, head	Joint, tête Empaquetadura, cabezal
7	043-0207	2	Valve plate assy (includes items 6 & 8)	Ensemble du plaque (includ les articles 6 et 8)	Conjunto de placa (incluye los artículos 6 y 8)
8	046-0303	2	Gasket, cylinder	Joint, cylindre	Empaquetadura, cilindro
9	019-0305	2	Filter assembly (includes item 9A)	Filter (includ les article 9A)	Filtro (incluye los artículo 9A)
9A	019-0328	2	Filter element	Élément filtrant	Elemento filtrante
10	054-0250	2	Ring Set	Jeu d'anneaux	Juego de anillos
11	069-0028	1	Tee fitting	Pièce en t	Te
12	048-0121	2	Piston assembly	Ensemble du piston	Conjunto de pistón
13	047-0099	2	Rod	Tige	Varilla
14	050-0065	2	Cylinder	Cylindre	Cilindro
15	058-0188	8	Nut, Hex M8	Écrou	Tuerca
16	060-0222	13	Lock washer, M8	Rondelle	Arandela
17	059-0420	8	Stud bolt, M8 x 32	Boulon de goujon	Perno del perno prisionero
17a	059-0460	1	Stud bolt, M8 x 35	Boulon de goujon	Perno del perno prisionero
18	046-0304	2	Gasket, crankcase	Joint, carter	Empaquetadura, cárter
19	060-0195	1	Washer, breather	Rondelle	Arandela
20	056-0078	1	Oil fill plug	Bouchon	Tapón
21	032-0126	1	Oil sight glass w/o-ring	Verre de vue de niveau d'huile	Cristal de la vista del nivel de aceite
22	062-0066	1	Oil drain plug	Bouchon	Tapón
23	049-0061	1	Crankcase	Carter	Cárter
24	051-0103	1	Bearing, ball 204	Roulement	Cojinete
25	053-0107	1	Crankshaft	Vilebrequin	Cigüeñal
26	051-0104	1	Bearing, ball 205	Roulement	Cojinete
27	046-0306	1	Oil seal	Joint	Sello
28	046-0364	1	Gasket, front cover	Joint	Empaquetadura
29	045-0059	1	Carrier	Support	Portador
30	059-0415	4	Bolt, M8 x 20	Boulon	Polea
31	044-0082	1	Flywheel, A groove	Volant-moteur, A	Volante, A
32	060-0225	1	Washer, Flat	Rondelle	Arandela
33	059-0416	1	Bolt, M8 x 35	Boulon	Polea
34	056-0079	1	Breather (includes item 19)	Reniflard (includ les article 19)	Respiradero (incluye los artículo 19)
35	146-0026	1	Key not shown	Clé	Chaveta
36	165-0277	1	Overhaul kit, (includes items 6-8, 9A, 10, 18, 27 and 28)	Jeu de pièces de réparation, (includ les articles 6-8, 9A, 10, 18, 27 et 28)	Juego de acondicionamiento, (incluye los artículos 6-8, 9A, 10, 18, 27 y 28)
37	046-0307	1	Gaskets, complete set (includes items 6, 8, 18, 27 & 28)	Joints, jeu complet (includ les articles 6, 8, 18, 27, et 28)	Juntas, conjunto completo (incluye los artículos 6, 8, 18, 27, y 28)
38	040-0469	1	Pump assembly (includes items 1-35)	Pompe (includ les articles 1-35)	Ensamblaje de la bomba (incluye los artículos 1-35)
39	068-0092	1	Connector	Connecteur	Conectador
40	114-0619	1	Bracket	Support	Soporte

**PARTS DRAWING / DESSIN DES PIÈCES / ESQUEMA DE LAS PIEZAS**



NOTES:

 Torque to 125-150 lb-in.  
 Serrez de 125 À 150 lbs-ft.  
 Torsión hasta 14,1-17,0 N•m

**PARTS LIST / LISTE DE PIÈCES / LISTA DE LA PIEZAS**

Item Article Artículo	Part No Nº / P Núm / P	Qty Qté Cant	Description	Descripción	Descripción
1	032-0056	1	Gauge, 255# 1/8" back connect	Manomètre	Manómetro
2	019-0182	1	Regulator	Régulateur	Regulador
3	065-0004	1	Nipple, 1/4" x 2"	Manchon fileté	Niple
4	136-0005	1	Valve, ASME	Soupape	Válvula
5	032-0025	1	Gauge, 300# 1/4" bottom connect	Manomètre	Manómetro
6	034-0226	1	Switch, pressure (includes items 7-9)	Interrupteur (includ les articles 7-9)	Manómetro (incluye los artículos 7-9)
7	136-0090	1	Valve, bleeder	Soupape	Válvula
8	071-0033	1	Strain relief	Soulagement de traction	Aliviador de esfuerzo
9	061-0216	1	Screw	Vis	Tornillo
10	036-0031	1	Quick connect coupler	Raccord rapide	Acoplador especial

## TABLE DES MATIÈRES

CONSIGNES DE SÉCURITÉ..... 15-16	MODE D'EMPLOI..... 18-19
VUE D'ENSEMBLE ..... 17	ENTRETIEN ..... 19-21
ASSEMBLAGE ..... 17	GLOSSAIRE DES TERMES ..... 21
COMMANDES DU COMPRESSEUR ..... 17	ENTRETIEN PÉRIODIQUE..... 22
REMISE EN MARCHÉ ET CÂBLAGE DU MOTEUR..... 18	DÉPANNAGE ..... 23
SPÉCIFICATIONS DE L'ALIMENTATION ÉLECTRIQUES ..... 18	DESSIN DES PIÈCES ET LISTE DE PIÈCES ..... 10-14

## CONSIGNES DE SÉCURITÉ

Les informations suivantes concernent VOTRE SÉCURITÉ et LA PROTECTION DU MATÉRIEL CONTRE LES PANNES. Pour vous aider à identifier la nature de ces informations, nous utilisons les symboles suivants. Veuillez lire le manuel et prêter attention à ces sections.








**⚠ DANGER:** – DANGER POTENTIEL POUVANT ENTRAÎNER DE GRAVES BLESSURES OU LA MORT.











**⚠ AVERTISSEMENT:** – DANGER POUVANT CAUSER DES BLESSURES GRAVES VOIRE MORTELLES.

**⚠ ATTENTION:** – DANGER POUVANT CAUSER DES BLESSURES MOYENNEMENT GRAVES OU L'ENDOMMAGEMENT DE L'APPAREIL.

## DIRECTIVES DE SÉCURITÉ IMPORTANTES

**⚠ AVERTISSEMENT:**

<p><b>RISQUE D'INCENDIE OU D'EXPLOSION.</b></p> 	<p>Ne jamais vaporiser de liquides inflammables dans un endroit confiné. Il est normal que le moteur et le manoccontacteur produisent des étincelles lorsqu'ils sont en marche. Si les étincelles entrent en contact avec des vapeurs d'essence ou d'autres solvants, ces dernières peuvent s'enflammer et provoquer ainsi un incendie ou une explosion. Toujours mettre en marche le compresseur dans un endroit bien ventilé. Ne pas fumer lorsque vous vaporisez. Ne pas vaporiser à des endroits où il risque d'y avoir des étincelles ou des flammes nues. Tenir le compresseur aussi loin que possible de la zone vaporisée. Entreposer les matériaux inflammables dans un endroit sécuritaire loin du compresseur. Pourvoir la zone d'utilisation d'un extincteur.</p>
<p><b>RISQUE D'ÉCLATEMENT.</b></p> 	<p>Ne pas souder, percer ou modifier d'une quelconque façon le réservoir d'air de ce compresseur. Une soudure ou des modifications apportées au réservoir d'air du compresseur peuvent affecter grandement la force du réservoir et entraîner des conditions très dangereuses. Toute soudure ou modification apportée au réservoir annulera la garantie. Si une fuite est observée sur le réservoir, le remplacer immédiatement par un nouveau réservoir ou remplacer le compresseur au complet.</p>
<p><b>RISQUE DE CHOC ÉLECTRIQUE.</b></p> 	<p>Ne jamais utiliser un compresseur électrique à air à l'extérieur lorsqu'il pleut ou sur une surface humide, puisque cela pourrait entraîner une décharge électrique. Omettre de bien mettre à la terre ce produit pourrait entraîner de sérieuses blessures ou un décès par électrocution. S'assurer que le circuit électrique sur lequel le compresseur est branché offre une mise à la terre et une tension appropriées ainsi qu'une protection par fusible adéquate.</p>
<p><b>RISQUE DE BLESSURE.</b></p> 	<p>Cet appareil se met en marche automatiquement. TOUJOURS éteindre le compresseur, le débrancher de la prise et vidanger toute la pression du système avant d'en faire l'entretien lorsqu'il n'est pas utilisé. Ne pas utiliser l'appareil si les épaulements ou la protection de courroie ont été enlevés. Des blessures graves peuvent se produire à la suite d'un contact avec des pièces en mouvement. Demeurer alerte et vigilant lors de l'utilisation du compresseur. Ne pas utiliser le compresseur en état de fatigue ou sous l'influence de médicaments ou de l'alcool.</p>
<p><b>RISQUE D'ÉCLATEMENT.</b></p> 	<p>Vérifier la pression limite maximale du fabricant des outils à air et des accessoires. La pression de sortie du compresseur doit être réglée afin de ne jamais excéder la pression limite maximale de l'outil. Enlever toute la pression contenue dans le tuyau avant de fixer ou d'enlever des accessoires. Ne jamais utiliser le compresseur pour gonfler des objets à basse pression comme les jouets d'enfant, les ballons de football, de basketball, etc.</p>
<p><b>RISQUE DE BRÛLURES.</b></p> 	<p>Des températures élevées sont générées par la pompe et par le collecteur. Afin de prévenir les brûlures et les autres blessures, NE PAS toucher la pompe, le collecteur ou le tuyau de transfert lorsque la pompe est en marche. Les laisser refroidir avant de les manipuler ou de les réparer. Tenir le compresseur éloigné des enfants en tout temps. Ne pas toucher au-delà des épaulements de protection ou essayer de réaliser l'entretien de l'appareil avant qu'il n'ait pu refroidir.</p>
<p><b>RISQUE RESPIRATOIRE.</b></p> 	<p><b>Toujours porter un masque recouvrant le visage qui est conforme aux normes MSHA/NIOSH et travailler dans un endroit bien ventilé lors de l'utilisation d'outils générant de la poussière.</b> Certaines poussières provenant du sablage, de l'affilage, du perçage ou d'autres activités de construction peuvent contenir des produits chimiques reconnus (par l'État de la Californie) comme pouvant provoquer des cancers, des malformations ou d'autres effets néfastes sur la fonction de reproduction. Certains exemples de ces produits chimiques comprennent :</p> <ul style="list-style-type: none"> <li>• du plomb provenant de peintures à base de plomb;</li> <li>• de la silice cristalline provenant des briques, du ciment et des autres produits de maçonnerie;</li> <li>• de l'arsenic et du chrome provenant du bois traité.</li> </ul>

<b>RISQUE RESPIRATOIRE.</b> 	<p>S'assurer de lire toutes les étiquettes lorsque vous vaporisez différents types de peintures ou de produits toxiques et suivre toutes les directives de sécurité inscrites sur l'étiquette, ou la fiche signalétique des produits que vous vaporisez. Utiliser un masque respiratoire répondant aux normes MSHA/NIOSH s'il y a un risque d'inhalation lors de la vaporisation. Lire toutes les instructions et s'assurer que votre masque respiratoire vous protège. Travailler dans un endroit disposant d'une bonne ventilation transversale.</p>
<b>RISQUE DE BLESSURE AUX YEUX.</b> 	<p>Toujours porter des lunettes de sécurité répondant à la norme ANSI Z87.1 lors de l'utilisation d'un compresseur à air. Ne jamais pointer l'embout ou le vaporisateur vers une personne, un animal ou une partie du corps. L'équipement peut provoquer des blessures graves si le vaporisateur transperce la peau.</p>
<b>RISQUE D'ECLATEMENT.</b> 	<ul style="list-style-type: none"> <li>• Ne pas ajuster la soupape de sûreté du réservoir sous aucun prétexte. Ajuster la soupape de sûreté annule toutes les garanties. La soupape de sûreté a été réglée en usine selon la pression limite de cet appareil. Des blessures corporelles et/ou des dommages à la propriété peuvent survenir si la soupape de sûreté est altérée.</li> <li>• Ne pas utiliser de tuyaux en plastique ou en PVC pour propulser de l'air comprimé. N'utiliser que des tuyaux et des raccords en acier galvanisé pour propulser l'air comprimé.</li> </ul>
<b>RISQUE D'INCENDIE.</b> 	<p>Le fonctionnement sans surveillance de ce compresseur a pu avoir comme conséquence le dommage corporel ou les dégâts matériels. Pour réduire le risque du feu, ne laissez pas le compresseur actionner sans surveillance. Toujours déconnectez le courant électrique en tournant le mano-contact à au loin et vidangez le journal de réservoir ou après chaque utilisation.</p>
<b>RISQUE RESPIRATOIRE.</b> 	<p>L'air obtenu directement du compresseur ne devrait jamais être utilisé pour la consommation humaine. Le jet d'air peut contenir du monoxyde de carbone, des vapeurs toxiques ou des particules solides provenant du réservoir. Respirer ces contaminants peut provoquer des blessures graves ou même la mort. Afin d'utiliser l'air produit par ce compresseur à des fins respiratoires, des filtres adéquats et un équipement de sécurité en série doivent être installés correctement. Les filtres en ligne et l'équipement de sécurité doivent être installés correctement. Les filtres en ligne et l'équipement de sécurité utilisés sur le compresseur doivent être en mesure de traiter l'air selon les normes locales et fédérales applicables avant d'être utilisée pour la consommation humaine.</p>
<b>RISQUE DE BLESSURE.</b> 	<p>Toujours utiliser le compresseur dans une position stable et sécuritaire afin de prévenir les mouvements accidentels de l'appareil. Ne jamais utiliser le compresseur sur une table, un établi, un toit ou sur un autre endroit surélevé. Utiliser le tuyau d'air supplémentaire pour atteindre les endroits surélevés.</p>
 <b>RISQUE AUDITIF.</b>	<p>Porter toujours des protecteurs d'oreilles en utilisant un compresseur d'air. Dans le cas contraire, il y a risque de perte d'audition.</p>
<b>REMARQUE: CÂBLAGE ÉLECTRIQUE.</b>	<p>Pour savoir quelles sont les normes d'intensité et de tension de l'appareil, référez-vous à l'étiquette du numéro de série du compresseur d'air. Veillez à ce que tout le câblage soit effectué par un electricien qualifié conformément au Code National Électrique des E.U.</p>
 	<p><b>AVERTISSEMENT : CONTIENT DU PLOMB.</b> Peut être nocif s'il est ingéré ou mâché. Peut générer de la poussière contenant du plomb. Se laver les mains après usage. Garder hors de la portée des enfants.</p>
	<p><b>AVERTISSEMENT :</b> Ce produit pourrait vous exposer à des produits chimiques, y compris Plomb, reconnu par l'État de Californie comme cause de cancer, malformations congénitales ou autres problèmes du système de reproduction. Pour obtenir plus d'information, visitez <a href="http://www.P65Warnings.ca.gov">www.P65Warnings.ca.gov</a>.</p>

## **ATTENTION:**

<p>Vidangez tous les jours l'humidité accumulée dans le réservoir. Pour éviter la corrosion, le réservoir doit être propre et sec.</p>
<p>Tirer sur la bague de la soupape de sûreté du réservoir afin d'assurer que la soupape fonctionne correctement et pour nettoyer la soupape de toute obstruction possible.</p>
<p>Le compresseur doit être maintenu à une distance de 12 pouces (31 cm) du mur le plus près dans un endroit bien ventilé afin de permettre une ventilation adéquate pour le refroidissement. Restreindre les ouvertures de ventilation du compresseur pourrait provoquer une surchauffe qui pourrait causer un incendie. Ne jamais laisser d'objets appuyés sur le compresseur ou sur le dessus de celui-ci.</p>
<p>Si vous transportez le compresseur, fixez-le bien. Avant de le transporter, il faut d'abord dépressuriser le réservoir.</p>
<p>Protégez le tuyau d'air contre les risques d'endommagement et de perforation. Inspectez-le chaque semaine pour déceler toute trace de faiblesse ou d'usure et remplacez-le au besoin.</p>
<p>Pour réduire les risques de décharge électrique, protégez l'appareil de la pluie. Entreposez-le à l'intérieur.</p>
<p>Ne jamais utiliser le compresseur si le cordon d'alimentation ou la fiche sont endommagés. Confier l'entretien de l'appareil à centre de service qualifié.</p>



## VUE D'ENSEMBLE

### ÉLÉMENTS DE BASE DU COMPRESSEUR D'AIR

Éléments de base du compresseur d'air

Les éléments de base du compresseur d'air sont le moteur électrique, la pompe, le manostat et le réservoir (Fig. 1).

Le **moteur électrique (A)** actionne la pompe. Il est équipé d'un protecteur de surcharge pour ne pas griller. Le protecteur de surcharge arrête le moteur dès qu'il surchauffe. Dans ce cas, laissez-le refroidir pendant 10 à 15 minutes, puis appuyez sans forcer sur l'interrupteur de remise en marche du moteur pour le redémarrer.

La **pompe (B)** comprime l'air.

Le **réservoir (C)** contient l'air comprimé.

Le **manostat (D)** arrête le moteur et libère la pression d'air dans la

pompe et le tube de transfert quand la pression dans le réservoir atteint la pression de fermeture. Au fur et à mesure que l'air comprimé est utilisé et que le niveau de pression dans le réservoir baisse jusqu'à la pression d'ouverture, le manostat remet le moteur en marche automatiquement, sans avertissement, et la pompe reprend la compression d'air.

Le **sortie d'air (voir E)**. Raccorder le tuyau pneumatique NPT de 6.35 mm (1/4 po) à cette sortie.

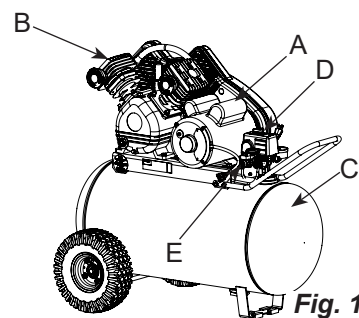


Fig. 1

## ASSEMBLAGE

### ASSEMBLAGE DU COMPRESSEUR



**Ce compresseur a été livré avec de l'huile dans le carter de la pompe. Vérifier l'huile avant d'utiliser le compresseur à air, voir Vérifier l'huile dans la section Maintenance.**

- Sortez le compresseur d'air de sa boîte. Inspectez-le pour vous assurer qu'il n'est pas endommagé. S'il a été endommagé pendant le transport, référez-vous à l'étiquette de transport et déclarez les dommages aux transporteurs. Faites cette démarche immédiatement étant donné les délais limites des demandes d'indemnisation.

Le carton doit contenir:

- compresseur d'air
- poignée
- opérateur/pièces manuelles

- Vérifiez l'étiquette du numéro de série du compresseur pour vous assurer qu'il s'agit bien du modèle commandé et que la pression nominale est conforme à l'utilisation prévue.
- Attachez la poignée au compresseur, comme indiqué dans la Fig 2.
- Positionnez le compresseur conformément aux recommandations suivantes :
  - Placez le compresseur près d'une prise de courant mise à la terre (voir INSTRUCTIONS DE MISE À LA TERRE). Évitez d'utiliser une rallonge ; utilisez plutôt un tuyau flexible plus long.

- Pour assurer un écoulement d'air et un refroidissement suffisants, le côté du volant-moteur du compresseur doit se trouver dans une zone propre et bien ventilée, et à une distance de 31 cm (12 pouces) du mur ou de toute autre obstruction.
  - Dans des climats froids, entreposez les compresseurs portatifs dans un bâtiment chauffé lorsqu'ils ne sont pas en service pour réduire les problèmes de lubrification, de démarrage du moteur et de gel de l'eau produite par condensation.
  - Le compresseur doit être à niveau pour assurer le graissage de la pompe et une vidange correcte de l'eau condensée dans le réservoir.
- Reliez des tuyaux d'air (non inclus) à la sortie diverse.

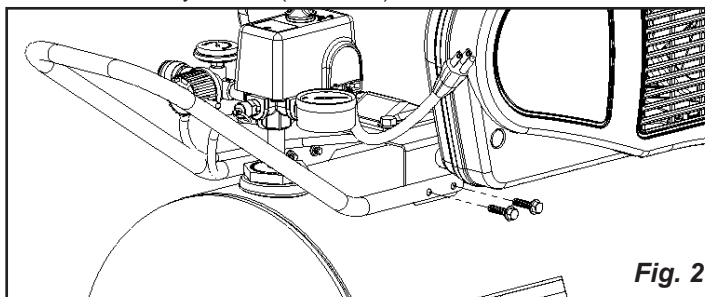


Fig. 2

## COMMANDES DU COMPRESSEUR

### Manostat (voir A)

Cet interrupteur met en marche le compresseur. Il est actionné manuellement, mais, s'il se trouve sur la position ON, le compresseur se met en marche ou s'arrête automatiquement, sans avertissement, en fonction de la demande d'air. Réglez TOUJOURS cet interrupteur sur la position OFF quand vous n'utilisez pas le compresseur et avant de le débrancher.

### Soupape de sûreté du réservoir (voir B)

Utilisé pour permettre à la pression du réservoir de s'échapper dans l'atmosphère. Si le manostat n'éteint pas le compresseur à sa pression de "disjonction", la soupape de sûreté protégera le réservoir des pressions élevées en libérant la pression du réservoir jusqu'à la pression établie en usine (légèrement au-delà du réglage du manostat de "disjonction"). Pour faire fonctionner manuellement, tirer sur la bague de la soupape afin de libérer la pression d'air du réservoir.

### Soupape de sûreté contre

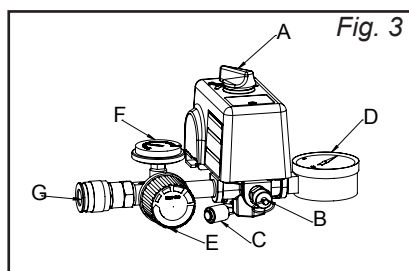


Fig. 3

### les surpressions (voir C)

La soupape de sûreté contre les surpressions (située au bas du manostat) est conçue pour libérer l'air comprimé à l'intérieur de la tête du compresseur et du tube de sortie lorsque le compresseur atteint la pression de "disjonction" ou qu'il est éteint. La soupape de sûreté contre les surpressions permet au moteur de se mettre en marche facilement. Lorsque le moteur arrête de fonctionner, vous entendrez l'air s'échappant de cette soupape pendant quelques secondes. L'air ne doit pas s'échapper de cet endroit lorsque le moteur est en marche ou après la courte libération se produisant après avoir atteint la pression de "disjonction".

### Manomètre du réservoir (voir D)

Ce manomètre mesure le niveau de pression d'air dans le réservoir. L'utilisateur ne peut pas régler ce manomètre et il n'indique pas la pression dans la conduite.

### Régulateur de pression d'air (voir E)

Le régulateur de pression d'air permet de régler la pression de la conduite de l'outil que vous utilisez.

**AVERTISSEMENT:** Ne dépassez jamais la pression maximum nominale de l'outil.

Tournez le bouton dans le sens des aiguilles d'une montre pour augmenter la pression et dans le sens inverse pour la réduire.

### Manomètre de pression régulée (voir F)

Ce manomètre mesure la pression de sortie régulée.

### Sortie d'air (voir G)

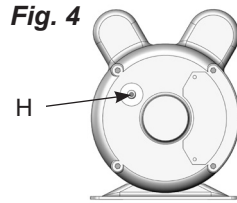
Raccorder le tuyau pneumatique NPT de 6.35 mm (1/4 po) à cette sortie.

## REMISE EN MARCHÉ ET CÂBLAGE DU MOTEUR

### INTERRUPTEUR DE REMISE EN MARCHÉ DU MOTEUR

**AVERTISSEMENT:** Veillez à ce que toutes les sécurités et protections soient installées avant d'appuyer sur l'interrupteur de remise en marche.

Si le moteur s'arrête à cause d'une surcharge, attendez 10 à 15 minutes que le moteur ait refroidi, puis appuyez SANS FORCER sur l'interrupteur de remise en marche du moteur (H) pour le redémarrer.



**REMARQUE :** Certains modèles sont équipés d'un moteur bitension de 120/240 volts. La plupart des modèles sont câblés à l'usine pour 120 volts. Si la conversion de 120 volts en 240 volts est exigée, référez-vous à la plaque signalétique de moteur et faites terminer la conversion par un électricien autorisé.

### CÂBLAGE ÉLECTRIQUE

Pour vous renseigner sur les normes d'intensité et de tension de l'appareil, référez-vous à l'étiquette du numéro de série du compresseur d'air.

#### Utilisez un circuit séparé

Pour obtenir le meilleur rendement possible et une mise en marche fiable, le compresseur d'air doit être installé sur un circuit séparé, aussi près que possible d'une boîte à fusibles ou d'un disjoncteur. Le compresseur utilise toute la capacité d'un circuit à usage domestique typique. Si d'autres appareils électriques tirent du courant sur le circuit du compresseur, il est possible que le compresseur

ne puisse pas démarrer. Si la tension est insuffisante ou si le circuit est surchargé, le démarrage risque d'être lent et d'entraîner en conséquence le déclenchement du disjoncteur ou de l'interrupteur de remise en marche du moteur, surtout s'il fait froid.

**REMARQUE :** un disjoncteur est recommandé afin de supporter la charge électrique initiale lors du démarrage du compresseur à air. Si le compresseur est branché sur un circuit protégé par un fusible, utiliser des fusibles temporisés à élément double (Buss Fusetron de type " T " seulement).

### RALLONGES

**REMARQUE :** Évitez d'utiliser des rallonges.

Pour obtenir un rendement optimum, branchez le câble d'alimentation du compresseur directement sur une prise de courant mise à la terre. N'utilisez pas de rallonge sauf nécessité absolue. Utilisez plutôt un tuyau flexible plus long pour atteindre la zone où l'air est nécessaire.

S'il l'utilisation d'une rallonge est inévitable, le cordon électrique ne doit pas dépasser 15 m (50 pi) et doit être d'un calibre minimum de 12 (AWG). N'utilisez pas une rallonge de calibre 16 ou 14.

Utilisez seulement une rallonge à 3 fils munie d'une prise de terre à 3 lames et une prise de courant à 3 fentes dans laquelle la prise peut être branchée. Veillez à ce que la rallonge que vous allez utiliser soit en bon état. Une rallonge de dimension inférieure à celle préconisée causera une baisse de tension sur la ligne qui se soldera par une perte de puissance et une surchauffe. Plus le calibre est petit, plus la rallonge doit être grosse.

### INSTRUCTIONS DE MISE À LA TERRE

Ce produit doit être mis à la terre. En cas de court-circuit électrique, la mise à la terre réduit les risques de décharges électriques en fournissant un fil par lequel le courant électrique peut s'échapper.

## SPÉCIFICATIONS DE L'ALIMENTATION ÉLECTRIQUE

Ce produit est équipé d'un câble d'alimentation muni d'un fil de terre et d'une fiche de terre appropriée. Cette fiche doit être branchée sur une prise de courant qui a été mise à la terre et installée conformément à toutes les normes et décrets locaux.

**DANGER:** L'installation incorrecte de la fiche de terre risque de provoquer des décharges électriques. Si une réparation ou un remplacement du cordon d'alimentation ou de la fiche est nécessaire, ne pas brancher le câble de mise à la terre à l'une des lames plates de la fiche. Le fil de terre est recouvert d'une gaine d'isolement verte avec ou sans rayures jaunes.

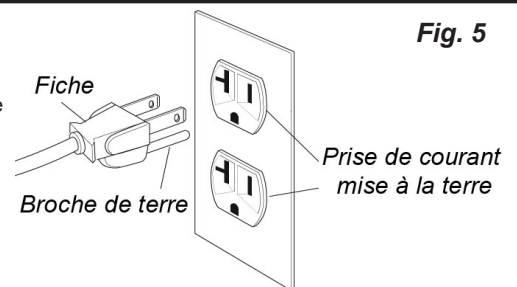
Ce produit est conçu pour être utilisé sur un circuit de 120 volts. Un câble muni d'une prise de terre, comme illustré ici, doit être utilisé.

Veillez à ce que le compresseur soit branché sur une prise de courant

compatible avec la fiche (Fig 5). N'utilisez pas d'adaptateur avec ce produit.

Si vous ne comprenez pas les instructions de mise à la terre ou si vous doutez que le compresseur soit

correctement mis à la terre, consultez un électricien qualifié. Ne modifiez pas la fiche fournie avec l'appareil ; si elle ne s'adapte pas à la prise de courant, faites installer une prise de courant correcte par un électricien qualifié.



### RODAGE DE LA POMPE

1. Vérifier le niveau d'huile de la pompe (voir « Vérifier l'huile » de la section Maintenance).
2. Placer le manocontacteur en position ARRÊT (C).
3. Ouvrez le robinet de purge (voir F).

**ATTENTION:** L'air et l'humidité qui s'échappent peuvent projeter des particules pouvant causer des blessures aux yeux. Portez des lunettes de protection lorsque vous ouvrez le robinet de purge.

4. Branchez le cordon d'alimentation.

5. Tourner le manocontacteur en position MARCHÉ (D). Le compresseur devrait se mettre en marche. Laissez marcher le compresseur à vide pendant 30 minutes pour roder les pièces internes.

**REMARQUE:** Après environ 30 minutes, si l'appareil ne fonctionne pas correctement, L'ÉTEINDRE IMMÉDIATEMENT et communiquer avec centre de service qualifié.

6. Après environ 30 minutes, tournez le commutateur de pression à la position OFF (voir C).
7. Fermez le robinet de purge (E). Tourner dans le sens horaire.
8. Tournez le commutateur de pression à la position AUTO. Le

## MODE D'EMPLOI

compresseur démarre et remplir le réservoir au-out pression de disjonction et de s'arrêter.

**REMARQUE:** Comme l'air comprimé est utilisé, le manostat relance automatiquement le moteur à alimentation en air comprimé plus dans le réservoir.

### MISE EN MARCHÉ QUOTIDIENNE

1. Vérifier le niveau d'huile de la pompe (voir « Vérifier l'huile » de la section Maintenance).
2. Placer le manocontacteur en position ARRÊT (C).
3. Fermer le robinet de purge (voir E).
4. Branchez le cordon d'alimentation.
5. Tourner le manocontacteur en position MARCHÉ (voir D). Le pompe commence alors à remplir le réservoir avec de l'air. Lorsque la pression d'air dans le réservoir atteint le niveau préréglé par l'usine, l'interrupteur de pression arrête le moteur électrique. Lorsque l'air comprimé est utilisé, le manocontacteur redémarrera le moteur automatiquement afin d'envoyer davantage d'air comprimé dans le réservoir.

**AVERTISSEMENT:** La pompe et le moteur électrique produisent des températures élevées. Pour éviter les brûlures et autres blessures, NE touchez PAS le compresseur quand il est en marche. Laissez-le refroidir avant de le manipuler ou d'effectuer son entretien. Ne laissez jamais les enfants s'approcher du compresseur.



**REMARQUE :** Si l'appareil ne fonctionne pas correctement, L'ÉTEINDRE IMMÉDIATEMENT et communiquer avec centre de service qualifié.

6. Si votre compresseur est équipé d'un régulateur de pression, réglez sa pression pour qu'elle corresponde à la pression de service de l'outil.

**AVERTISSEMENT:** Pour passer d'une pression élevée à une pression plus basse, tournez le bouton dans le sens contraire des aiguilles d'une montre au-delà du



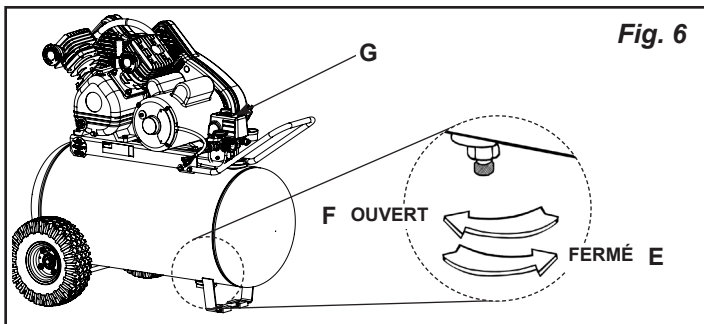
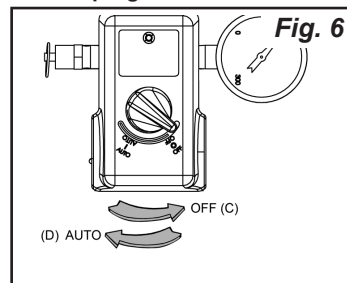
réglage de pression désiré, puis tournez-le dans le sens des aiguilles d'une montre pour atteindre la pression désirée. Ne pas dépasser la pression de fonctionnement de l'outil ou de l'accessoire utilisé.

### ARRÊT

1. Placer le manocontacteur en position ARRÊT (voir C).
2. Débranchez le cordon d'alimentation.
3. Réduisez la pression du réservoir par l'orifice de sortie du tuyau. Vous pouvez également tirer sur l'anneau de la soupape de décharge (voir G) et maintenir la soupape en position ouvert pour libérer la pression du réservoir.

**ATTENTION:** L'air et l'humidité qui s'échappent peuvent projeter des particules risquant de causer des blessures aux yeux. Portez des lunettes de protection lorsque vous ouvrez le robinet de purge.

4. Ouvrez le robinet de purge (voir F) pour vidanger l'humidité du réservoir.



## ENTRETIEN

**AVERTISSEMENT:** Cet appareil se met en marche automatiquement. Arrêtez TOUJOURS le compresseur, débranchez-le de la prise de courant et purgez toute la pression du circuit avant de procéder à l'entretien du compresseur ou lorsque vous ne l'utilisez pas. N'utilisez pas l'appareil sans les protections ou le garde-courroie. Risque de blessures graves en cas de contact avec les pièces en mouvement !



L'entretien régulier de l'appareil permettra d'assurer un fonctionnement sans problèmes. Votre compresseur d'air électrique est un appareil de haute qualité ; toutefois, même les machines de haute qualité nécessitent un entretien périodique.

Les composants énumérés ci-dessous doivent être inspectés régulièrement.

### VIDANGE DU RÉSERVOIR

Vider l'humidité contenue dans le réservoir (pour obtenir les instructions, voir « Fermeture » dans la section des instructions de fonctionnement).

**AVERTISSEMENT:** De la condensation s'accumulera dans le réservoir. Afin de prévenir la corrosion de l'intérieur du réservoir, l'humidité doit être vidangée à la fin de chaque journée de travail. Porter des lunettes de protection.



**REMARQUE :** Dans les climats froids, purger le réservoir après chaque utilisation afin de réduire les problèmes de gel d'eau de condensation.

### VÉRIFICATION DU NIVEAU D'HUILE

Vérifiez le viseur pour vous assurer que le niveau d'huile de la pompe est conforme au niveau requis. Le niveau d'huile dans la pompe doit être situé entre les marques A et B. Ne remplissez pas de manière excessive ni insuffisante.

**REMARQUE:** Utilisez une huile complètement synthétique et sans détergent pour compresseur d'air.

### VIDANGE D'HUILE

Déposez le bouchon (voir C) (Fig. 7) de l'orifice de vidange d'huile et vidangez l'huile jusqu'à ce que l'écoulement ralentisse et que l'huile ne fasse que s'égoutter. Dévisser le bouchon de remplissage de l'huile (E) et ajouter de l'huile à compresseur (approx. 11.35 oz.) jusqu'à ce que le niveau se situe entre plein (full) (A) et ajouter (add) (B). Replacer le bouchon de remplissage de l'huile. Ne remplissez jamais au-dessus du niveau ou underfill la pompe.

**REMARQUE:** Utilisez une huile complètement synthétique et sans détergent pour compresseur d'air.

A = Plein  
 B = Ajoutez  
 C = Bouchon  
 D = Verre de vue de niveau d'huile  
 E = Bouchon de l'orifice de remplissage d'huile

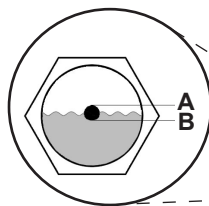


Fig. 7

## AJUSTEMENT DE LA COURROIE D'ENTRAÎNEMENT

**REMARQUE :** La tension de la courroie et l'alignement de la poulie se font simultanément. Chaque procédure est décrite séparément par souci de clarté.

**AVERTISSEMENT :** Cet appareil se met en marche automatiquement. Arrêtez TOUJOURS le compresseur, débranchez-le de la prise de courant et purgez toute la pression du circuit avant de procéder à l'entretien du compresseur ou lorsque vous ne l'utilisez pas. N'utilisez pas l'appareil sans les protections ou le garde-courroie. Risque de blessures graves en cas de contact avec les pièces en mouvement !

Pour une efficacité d'entraînement et une durée de vie maximales de la courroie, l'alignement de la poulie et la tension de la courroie doivent être maintenus. La tension est correcte en présence d'un fléchissement (A) de 13 mm (1/2") après l'application d'une force (B) de 2,3 kg (5 lb) à mi-distance entre la poulie du moteur et le volant-moteur de la pompe. Ce fléchissement peut être réglé en procédant comme suit. La poulie doit être soigneusement alignée sur le volant-moteur et toutes les vis d'arrêt doivent être serrées.

1. Enlevez le garde-courroie.
2. Desserrez les boulons de montage du moteur.
3. Décalez le moteur jusqu'au point où le fléchissement correct est obtenu (A & B).
4. Resserrer les boulons de fixation du moteur avec un couple de 130-180 po-lb.
5. Assurez-vous que la tension reste correcte.
6. Réinstallez le garde-courroie. Toutes les pièces mobiles doivent être protégées.

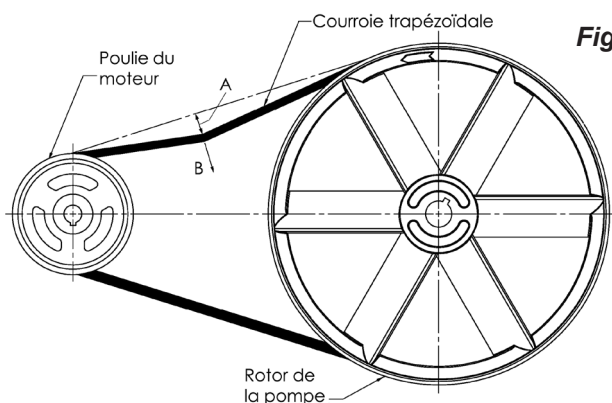


Fig. 8

## ALIGNEMENT DE LA POULIE

**REMARQUE :** La tension de la courroie et l'alignement de la poulie se font simultanément. Chaque procédure est décrite séparément par souci de clarté.

**AVERTISSEMENT :** Cet appareil se met en marche automatiquement. Arrêtez TOUJOURS le compresseur, débranchez-le de la prise de courant et purgez toute la pression du circuit avant de procéder à l'entretien du compresseur ou lorsque vous ne l'utilisez pas. N'utilisez pas l'appareil sans les protections ou le garde-courroie. Risque de blessures graves en cas de contact avec les pièces en mouvement !

**REMARQUE :** lorsque la poulie du moteur a été enlevée de son emplacement déterminé à l'usine, les rainures du rotor et de la poulie doivent être alignées à 1/16 po afin d'empêcher une usure excessive de la courroie.

Pour vérifier l'alignement de la poulie, placez une règle (A) contre le volant-moteur du compresseur (B) (voir Fig. 9). Mesurez et notez la distance entre la règle et le bord de la courroie d'entraînement au point C. Mesurez ensuite de nouveau la distance entre la règle et le bord de la courroie d'entraînement aux points D et E. Les deux distances doivent correspondre à la même distance qu'en C. Si D ou E est différent de C, il existe un défaut d'alignement qu'il faut corriger avant de faire fonctionner le compresseur. Pour corriger un défaut d'alignement de la poulie, procédez comme suit :

1. Enlevez le garde-courroie.
2. Desserrez les boulons de montage du moteur.
3. Alignez la poulie du moteur sur le volant-moteur de la pompe (C-D-E doit être égal).
4. Réglez correctement la tension de la courroie.
5. Resserrer les boulons de fixation du moteur avec un couple de 130-180 po-lb..
6. Réinstallez le garde-courroie. Toutes les pièces mobiles doivent être protégées.

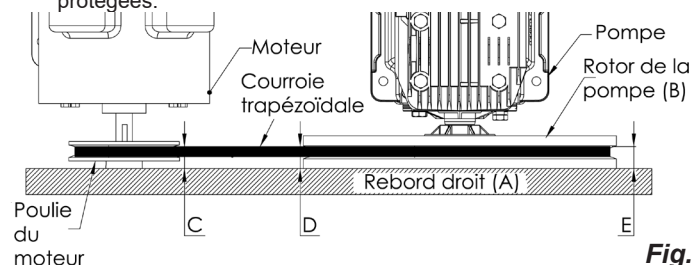


Fig. 9

## REPLACEMENT DE LA COURROIE D'ENTRAÎNEMENT

**AVERTISSEMENT :** Cet appareil se met en marche automatiquement. Arrêtez TOUJOURS le compresseur, débranchez-le de la prise de courant et purgez toute la pression du circuit avant de procéder à l'entretien du compresseur ou lorsque vous ne l'utilisez pas. N'utilisez pas l'appareil sans les protections ou le garde-courroie. Risque de blessures graves en cas de contact avec les pièces en mouvement !

1. Enlevez le garde-courroie.
2. Desserrez les boulons de montage du moteur.
3. Pousser le moteur vers la pompe jusqu'à ce que la courroies puisse être enlevée et installée facilement.
4. Enlever et remplacer la courroies REMARQUE : la courroies doit être centrée sur les rainures du rotor et de la poulie du moteur.

## ENTRETIEN

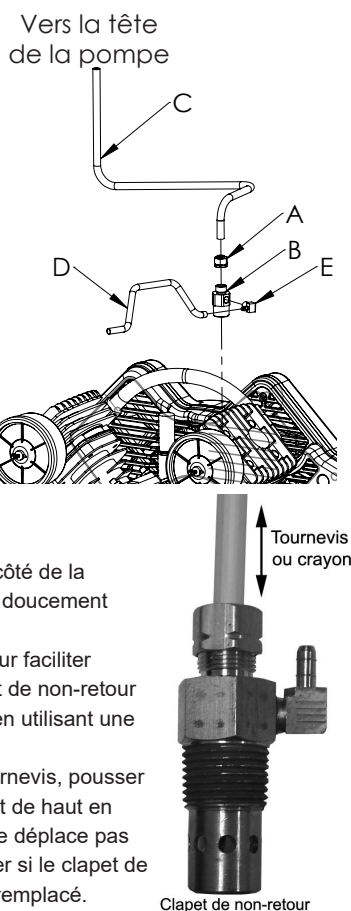
5. Pousser le moteur jusqu'à ce qu'il y ait une déflexion appropriée (voir "Ajustement de la tension de la courroie d'entraînement").
6. Resserrer les boulons de fixation du moteur avec un couple de 130-180 po-lb.
7. Assurez-vous que la tension reste correcte.
8. Réinstallez le garde-courroie. Toutes les pièces mobiles doivent être protégées.

### POUR REMPLACER OU NETTOYER LE CLAPET DE NON-RETOUR



**AVERTISSEMENT:** Cet appareil se met en marche automatiquement. Arrêtez TOUJOURS le compresseur, débranchez-le de la prise de courant et purgez toute la pression du circuit avant de procéder à l'entretien du compresseur ou lorsque vous ne l'utilisez pas. N'utilisez pas l'appareil sans les protections ou le garde-courroie. Risque de blessures graves en cas de contact avec les pièces en mouvement !

1. Éteindre le compresseur à air, retirer le cordon d'alimentation de la prise ou verrouiller l'alimentation électrique et libérer la pression d'air du réservoir (consulter la section "Fermeture" dans les instructions de fonctionnement). S'assurer que le compresseur a eu le temps de refroidir avant d'effectuer l'entretien.
2. En utilisant une clé de taille appropriée, dévisser l'écrou de compression (A) sur le clapet de non-retour (B). Se déplacer doucement le tube de transfert (C).
3. Retirer le tube de purge (D) à partir du coude (E) situé sur le côté de la soupape de retenue en le tirant doucement l'extrémité de fer barbelé.
4. Prendre note de l'orientation pour faciliter l'assemblage, dévisser le clapet de non-retour du réservoir (sens antihoraire) en utilisant une clé ouverte de 7/8 po.
5. En utilisant un crayon ou un tournevis, pousser délicatement le disque du clapet de haut en bas. Si le disque du clapet ne se déplace pas librement de haut en bas, vérifier si le clapet de non-retour doit être nettoyé ou remplacé.
6. Nettoyer le clapet de non-retour avec de l'eau

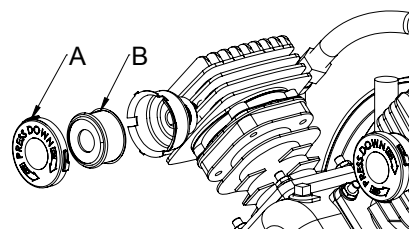


- savonneuse tiède et s'assurer de bien le sécher avant de le réinstaller. Si le disque du clapet ne se déplace pas encore librement de haut en bas, celui-ci devra être remplacé.
7. Appliquer du scellant pour filetage sur les filetages du clapet de non-retour et le réinstaller sur le réservoir en tournant dans le sens horaire. S'assurer d'utiliser la même orientation que lorsque celui-ci a été retiré.
  8. Replacer le tube de vidange en le poussant à l'intérieur du raccord acéré du coude.
  9. Replacer le tuyau de transfert et resserrer les écrous de compression.

### NETTOYAGE DU FILTRES À AIR

Un filtre à air sale réduira les performances et la durée de vie du compresseur. Pour éviter toute contamination interne de la pompe, le filtre doit être nettoyé fréquemment et remplacé régulièrement. Les filtres en feutre doivent être nettoyés dans de l'eau savonneuse tiède. Les

filtres en papier doivent être remplacés quand ils sont sales. Il ne faut pas que les filtres soient remplis de saletés ou de peinture. Si le filtre se remplit de peinture, remplacez-le. Votre garantie sera annulée si l'appareil est directement exposé à des saletés et de la peinture.



A = Couvercle(s)  
B = Élément du filtre(s)

### VÉRIFICATION DE LA SOUPAPE DE DÉCHARGE

Tirer sur la bague de la soupape de sûreté du réservoir quotidiennement afin d'assurer que la soupape fonctionne correctement et pour nettoyer la soupape de toute obstruction possible.

### ESSAI D'ÉTANCHÉITÉ

Assurez-vous que tous les raccords sont serrés. Le rendement de votre compresseur peut être réduit de manière significative en présence d'une petite fuite d'air dans les tuyaux flexibles, les tubes de transfert ou les raccords de tuyauterie. Si vous suspectez une fuite, vaporisez un peu d'eau savonneuse autour de la zone. Si des bulles apparaissent, réparez ou remplacez le composant défectueux. Ne serrez pas trop.

### ENTREPOSAGE

Avant d'entreposer le compresseur pour une période prolongée, utilisez une soufflette pour nettoyer toute la poussière et tous les débris du compresseur. Tirer sur la soupape de sûreté du réservoir afin de libérer toute la pression du réservoir.

Évacuez toute l'humidité du réservoir. Nettoyez les éléments et le boîtier du filtre ; remplacez les éléments au besoin. Vidangez l'huile du carter de la pompe et remplacez-la par de l'huile neuve. Couvrez tout l'appareil pour le protéger de l'humidité et de la poussière.

## GLOSSAIRE DES TERMES

**CFM:** Pieds cubes par minute ; une unité de mesure de débit d'air.

**Bar:** Unité de mesure de pression d'air.

**Pression de conjonction :** lorsque le moteur est éteint, la pression du réservoir d'air diminue pendant que vous continuez à utiliser votre accessoire. Le moteur redémarrera lorsque la pression diminuera au-delà du niveau de basse pression déterminé en usine. La basse pression à laquelle le moteur démarre automatiquement est appelée pression de "conjonction".

**Pression de disjonction :** lorsque le compresseur à air est mis en marche et qu'il commence à fonctionner, la pression du réservoir

d'air commence à augmenter. Elle s'accumule jusqu'au point de haute pression déterminé en usine avant que le moteur ne s'éteigne automatiquement, protégeant ainsi votre réservoir d'air d'atteindre une pression supérieure à sa capacité. La pression élevée à laquelle le moteur s'éteint est appelée pression de "disjonction".

**Bien aéré:** Qualifie un endroit où les gaz d'échappement ou les vapeurs sont remplacés par de l'air frais.

**Circuit réservé:** Circuit électrique réservé exclusivement au compresseur d'air.

## ENTRETIEN PÉRIODIQUE

Effectuez l'entretien suivant aux intervalles indiqués ci-dessous.	Quotidiennement ou après chaque utilisation	Toutes les 100 heures de fonctionnement	Après les premières 8 heures et toutes les 100 heures de fonctionnement
Inspecter les filtres à air (le nettoyer ou le remplacer au besoin)	●		
Vérifiez le niveau d'huile de la pompe	●		
Changez l'huile de la pompe ( <i>Utilisez une huile complètement synthétique et sans détergent pour compresseur d'air.</i> )		●	
Actionner la soupape de sûreté du réservoir	●		
Vérifiez la tension de la courroie		●	
Vidangez le réservoir	●		
Vérifiez et serrez tous les boulons ( <i>Ne les serrez pas trop</i> )			●

## DÉPANNAGE

Remarque : Les problèmes de dépannage peuvent avoir des causes et des solutions similaires.

PROBLEME	CAUSE POSSIBLE	SOLUTION
<b>Le prélèvement excessif de courant cause le déclenchement du disjoncteur ou de l'interrupteur de remise en marche du moteur</b>	Tension insuffisante/surcharge du moteur	Vérifiez que l'alimentation est adéquate et que le compresseur est branché sur un circuit séparé. Vérifiez que le compresseur est branché sur son propre circuit. Si une rallonge est utilisée, essayez sans utiliser la rallonge. Si le compresseur est branché sur un circuit protégé par un fusible, utilisez des fusibles temporisés à double élément (Buss Fusetron de type «T» seulement).
	La tension de la courroie d'entraînement est trop tendue	Réajustez la tension de la courroie.
	Passages d'air colmatés	Inspecter et remplacer les tuyaux de transfert ou le clapet de non-retour (voir « Pour remplacer ou nettoyer le clapet de non-retour » dans la section Maintenance).
<b>Le compresseur cale</b>	Tension insuffisante vers le moteur	Fournissez une puissance adéquate.
	Soupape d'arrêt défectueuse	Remplacer le clapet de non-retour (voir « Pour remplacer ou nettoyer le clapet de non-retour » dans la section Maintenance).
	Grippage de la pompe	Communiquer avec centre de service qualifié.
<b>Pression de décharge insuffisante</b>	Fuites d'air	Serrez ou remplacez les raccords ou les connexions qui ne sont pas étanches. Ne serrez pas trop.
	Fuites des soupapes	Communiquer avec centre de service qualifié.
	Admission d'air colmatée	Nettoyez ou remplacez le ou les élément(s) du filtre à air.
	Joints éclatés	Communiquer avec centre de service qualifié.
	Usure des segments de piston ou du cylindre	Communiquer avec centre de service qualifié.
<b>Cognement de la pompe</b>	Poulie du moteur ou volant-moteur desserré	Resserrez la poulie et le volant-moteur. Vérifiez l'alignement.
	Niveau d'huile trop bas dans le carter de la pompe	Maintenez le niveau d'huile jusqu'au repère maximum en permanence.
	Excès de calamine sur les soupapes ou sur le haut du piston	Communiquer avec centre de service qualifié.
<b>Huile dans l'air évacué</b>	Usure des segments de piston ou du cylindre	Communiquer avec centre de service qualifié.
	Admission d'air colmatée	Nettoyez ou remplacez le ou les élément(s) du filtre à air.
	Niveau d'huile trop élevé	Ramenez au niveau correct.
<b>Surchauffe</b>	Mauvaise aération	Placez le compresseur dans un endroit frais, sec et bien aéré, à une distance de 30 cm (12 po.) du mur le plus proche.
	Surfaces de refroidissement sales	Nettoyez entièrement toutes les surfaces de refroidissement.
	Passages d'air colmatés	Inspecter et remplacer les tuyaux de transfert ou le clapet de non-retour (voir « Pour remplacer ou nettoyer le clapet de non-retour » dans la section Maintenance).
<b>Usure excessive de la courroie</b>	Défaut d'alignement de la poulie	Réalignez la poulie sur le volant-moteur du compresseur.
	Tension de courroie incorrecte	Réajustez.
	Oscillation de la poulie	Remplacez la poulie et vérifiez que le vilebrequin ou le volant-moteur n'est pas endommagé.
<b>Le compresseur ne démarre pas quand il fait froid</b>	Trop de pression de refoulement dans le réservoir	Ouvrez le robinet de purge quand vous mettez en marche le moteur.
	Huile 40W dans le carter-moteur	Utilisez une huile complètement synthétique et sans détergent pour compresseur d'air.
	Le compresseur est trop froid	Placez le compresseur dans un endroit plus chaud.
<b>Une fuite d'air à la soupape de vidange demeure après que le compresseur ait été éteint</b>	Clapet de non-retour sale ou défectueux.	Inspecter et remplacer le clapet de non-retour (voir « Pour remplacer ou nettoyer le clapet de non-retour » dans la section Maintenance).

## ÍNDICE

PAUTAS DE SEGURIDAD.....23-24	INSTRUCCIONES OPERATIVAS.....27
RESUMEN GENERAL .....25	MANTENIMIENTO .....28-30
MONTAJE .....25	INTERVALOS DE SERVICIO.....30
CONTROLES DEL COMPRESOR.....26	GLOSARIO DE TÉRMINOS.....30
RESTABLECIMIENTO Y CABLEADO DEL MOTOR.....26	CUADRO DE DETECCIÓN DE FALLOS .....31
REQUISITOS DE ALIMENTACIÓN ELÉCTRICA .....26	ESQUEMA DE LAS PIEZAS Y LISTA DE PIEZAS.....10-14

## PAUTAS DE SEGURIDAD

La información que sigue se refiere a la protección de SU SEGURIDAD y la PREVENCIÓN DE PROBLEMAS DEL EQUIPO. Como ayuda para reconocer esta información, usamos los siguientes símbolos. Lea por favor el manual y preste atención a estas secciones.











- PELIGRO:** - RIESGO POTENCIAL DE LESIONES GRAVES O LA PÉRDIDA DE VIDA.
- ADVERTENCIA:** - RIESGO POTENCIAL DE LESIONES GRAVES O PÉRDIDA DE LA VIDA.
- PRECAUCIÓN:** - RIESGO POTENCIAL DE LESIONES LEVES O DAÑOS EN EL EQUIPO.

## INSTRUCCIONES DE SEGURIDAD IMPORTANTES

### **ADVERTENCIA:**

<b>RIESGO DE INCENDIO O EXPLOSIÓN.</b> 	Nunca rocíe líquidos inflamables dentro de un área cerrada. Durante el funcionamiento, es normal que se produzcan chispas tanto en el motor como en el interruptor de presión. Si las chispas entran en contacto con vapores de gasolina u otros disolventes, se podría producir un incendio o una explosión. Utilice siempre el compresor en un área bien ventilada. No fume mientras rocía. No rocíe donde pueda haber chispas o llamas. Mantenga el compresor tan alejado como sea posible del área donde vaya a utilizar el pulverizador. Almacene los materiales inflamables en un lugar seguro y alejado del compresor. Tenga un extintor en el área de operaciones.
<b>RIESGO DE EXPLOSIÓN.</b> 	No realice soldaduras al depósito de aire de este compresor, ni le practique agujeros, ni lo modifique. Realizar soldaduras o modificaciones al depósito de aire del compresor puede afectar a su resistencia estructural y crear condiciones extremadamente peligrosas. Realizar soldaduras o modificaciones al depósito de aire invalidará la garantía. Si detecta un escape en el depósito, reemplácelo inmediatamente con un nuevo depósito o reemplace todo el compresor.
<b>RIESGO DE DESCARGA ELÉCTRICA.</b> 	Nunca utilice un compresor eléctrico de aire en el exterior cuando esté lloviendo o sobre una superficie mojada, ya que se podría producir una descarga eléctrica. Si no se proporciona una toma a tierra adecuada a este producto, se podrían producir lesiones graves o muerte por electrocución. Asegúrese de que el circuito eléctrico al que se conecte este compresor tenga una adecuada toma a tierra, un voltaje correcto y una protección con fusibles satisfactoria.
<b>RIESGO DE LESIONES.</b> 	Esta unidad se enciende automáticamente. SIEMPRE apague el compresor, desconéctelo y purgue toda la presión del sistema antes de reparar el compresor y también cuando el compresor no se esté utilizando. No utilice la unidad si se le han retirado las cubiertas o el protector de la correa. Existe riesgo de lesión grave por contacto con partes móviles. Cuando utilice el compresor, esté alerta y atento a lo que hace. No utilice el compresor si está cansado o bajo la influencia de medicamentos o alcohol.
<b>RIESGO DE EXPLOSIÓN.</b> 	Compruebe la máxima presión permitida por los fabricantes de herramientas y accesorios. Se debe regular la salida de presión del compresor para que no se exceda la máxima presión permitida por la herramienta o accesorio. Purgue todo el aire antes de retirar o ajustar los accesorios. Nunca utilice el compresor para inflar objetos pequeños de baja presión como juguetes, balones, pelotas, etcétera.
<b>RIESGO DE QUEMADURAS.</b> 	La bomba y el colector pueden alcanzar altas temperaturas. Para evitar quemaduras u otras lesiones, NO toque la bomba, el colector ni la manguera de transferencia mientras la bomba esté en funcionamiento. Espere a que se enfríen antes de manipularlos o repararlos. No deje que los niños se acerquen al compresor en ningún momento. No intente acceder a la parte posterior de las cubiertas protectoras ni reparar la unidad hasta que esta se haya enfriado.
<b>RIESGO Y PELIGRO DE INHALACIÓN.</b> 	Cuando utilice herramientas que generen polvo, use siempre máscaras o respiradores ajustados y aprobados por la Administración de Minas, Seguridad y Salud (Mine Safety and Health Administration, MSHA) o el Instituto Nacional para la Seguridad y Salud Ocupacional (National Institute for Occupational Safety and Health, NIOSH) de los EE. UU., y trabaje en áreas bien ventiladas. El polvo que se genera al lijar, triturar, perforar o al realizar otras actividades de construcción puede contener productos químicos que, según el estado de California, causan cáncer, malformaciones de nacimiento u otros daños al sistema reproductor. Algunos ejemplos de estos productos químicos son: <ul style="list-style-type: none"> <li>•Plomo procedente de pinturas con plomo</li> <li>•Sílice cristalina procedente de ladrillos, cemento y otros productos de albañilería</li> <li>•Arsénico y cromo procedentes de madera tratada con productos químicos</li> </ul>

## INSTRUCCIONES DE SEGURIDAD IMPORTANTES

<p><b>RIESGO PARA LA RESPIRACIÓN.</b></p> 	<p>Asegúrese de leer todas las etiquetas cuando esté pulverizando pintura o materiales tóxicos, y siga todas las instrucciones de seguridad que se proporcionen en la etiqueta o las hojas de seguridad de los materiales que esté utilizando. Utilice máscaras de respiración aprobadas por la MSHA/el NIOSH si existe riesgo de inhalación de vahos de la sustancia que esté pulverizando. Lea todas las instrucciones y asegúrese de que la máscara de respiración le proteja. Trabaje en áreas con buena ventilación.</p>
<p><b>RIESGO DE LESIONES OCULARES.</b></p> 	<p>Utilice siempre gafas protectoras que cumplan la norma ANSI Z87.1 cuando utilice un compresor de aire. No apunte nunca con un difusor o pulverizador a una persona o a un animal ni a ninguna parte del cuerpo. Si la sustancia pulverizada penetra en la piel se pueden producir lesiones graves.</p>
<p><b>RIESGO DE EXPLOSIÓN.</b></p> 	<ul style="list-style-type: none"> <li>•Nunca intente, por ningún motivo, ajustar la válvula de seguridad del depósito. Hacerlo anulará la garantía. La válvula de seguridad ha sido preconfigurada en fábrica a la presión máxima que soporta esta unidad. Si se manipula la válvula de seguridad, existe el riesgo de que se produzcan lesiones personales o daños materiales.</li> <li>•No utilice mangueras de plástico o pvc para aire comprimido. Use solo mangueras y conectores de acero galvanizado para líneas de distribución de aire comprimido.</li> </ul>
<p><b>RIESGO DE INCENDIO.</b></p> 	<p>Dejar el compresor en funcionamiento sin vigilancia puede causar lesiones personales o daños materiales. Para reducir el riesgo de incendio, no permita que el compresor funcione sin vigilancia. Después de cada uso, desconecte siempre la corriente eléctrica colocando el interruptor en la posición OFF y purgue todo el aire del depósito.</p>
<p><b>RIESGO PARA LA RESPIRACIÓN.</b></p> 	<p>El aire obtenido directamente del compresor no se debe utilizar nunca como suministro para consumo humano. El flujo de aire puede contener monóxido de carbono, vapores tóxicos o partículas sólidas del depósito. Respirar este aire puede causar lesiones graves o la muerte. Si se desea utilizar el aire producido por el compresor para respirar, deben instalarse filtros adecuados y equipos de seguridad en línea. Se deben instalar adecuadamente los filtros y equipos de seguridad en línea. Los filtros y equipos de seguridad en línea utilizados junto con el compresor deben ser capaces de tratar el aire para que cumpla con los códigos locales y nacionales pertinentes antes de que sea usado para consumo humano.</p>
<p><b>RIESGO DE LESIONES.</b></p> 	<p>Para su utilización, sitúe siempre el compresor en una posición segura y estable a fin de prevenir movimientos accidentales de la unidad. Nunca utilice el compresor encima de una mesa, un banco de trabajo, un tejado u otra posición elevada. Si necesita alcanzar lugares altos, utilice una manguera de aire adicional.</p>
<p><b>RIESGO PARA EL OÍDO.</b></p> 	<p>Utilice siempre protectores auditivos cuando trabaje con un compresor de aire. Si no lo hace, podría sufrir pérdida de audición.</p>
<p><b>NOTA: CABLEADO ELECTRICO.</b></p>	<p>Consulte el rótulo del número de serie del compresor de aire para conocer los requerimientos de voltaje y amperaje de la unidad. Cerciúrese de que un electricista cualificado instala todo el cableado, de conformidad con el Código Eléctrico Nacional.</p>
 	<p><b>ADVERTENCIA: CONTIENE PLOMO.</b> Puede ser dañino si se ingiere o se mastica. Puede generar polvo que contenga plomo. Lávese las manos después del uso. Manténgalo fuera del alcance de los niños.</p>
	<p><b>ADVERTENCIA:</b> Este producto le podría exponer a productos químicos incluyendo Plomo, reconocido por el Estado de California como causante de cáncer, defectos de nacimiento u otros daños del sistema reproductivo. Para obtener más información, visite <a href="http://www.P65Warnings.ca.gov">www.P65Warnings.ca.gov</a>.</p>



### PRECAUCIÓN:

<p>Elimine la humedad del depósito todos los días. Un depósito limpio y seco ayudará a evitar la corrosión.</p>
<p>Tire de la anilla de la válvula de seguridad del depósito todos los días para asegurarse de que la válvula funciona adecuadamente, y para limpiar la válvula de cualquier obstrucción que pueda tener.</p>
<p>Para que la unidad disponga de ventilación suficiente para enfriarse, se debe mantener el compresor en un área bien ventilada a un mínimo de 31 cm de la pared más cercana. Obstruir cualquiera de las aberturas del compresor causará un sobrecalentamiento y podría originar un incendio; no apoye ningún objeto contra el compresor ni encima de él.</p>
<p>Sujete el compresor muy bien si es necesario su transporte. Debe liberarse la presión del depósito antes de su transporte.</p>
<p>Proteja la manguera de aire y el conducto eléctrico contra daños y pinchazos. Inspecciónelos todas las semanas para comprobar que no existen zonas débiles o desgastadas, y reemplácelos si fuera necesario.</p>
<p>Para reducir el riesgo de choque eléctrico, proteja la unidad de la lluvia. Almacene en el interior.</p>
<p>No utilice el compresor si el cable eléctrico o el enchufe están dañados. Póngase en contacto con el centro de servicio autorizado.</p>



## RESUMEN GENERAL

### COMPONENTES BÁSICOS DEL COMPRESOR DE AIRE

Los componentes básicos del compresor de aire son el motor eléctrico, la bomba, el interruptor de presión y el tanque (**Fig. 1**).

El **motor eléctrico** (vea **A**) acciona la bomba. El motor eléctrico está equipado con un **protector contra sobrecarga** para ayudar a evitar el quemado posible del motor. Si el motor llegará a sobrecalentarse, el protector contra sobrecarga lo apagará. En caso de ocurrir esto, permita que el motor se enfríe durante 10 a 15 minutos y luego presione (nunca fuerce) el interruptor de restablecimiento del motor para volver a arrancar el motor.

La bomba (vea **B**) comprime el aire y lo descarga hacia el tanque.

El tanque (vea **C**) almacena el aire comprimido.

El interruptor de presión (vea **D**) apaga el motor y alivia la presión del aire en la bomba y el tubo de transferencia cuando la presión del aire en el tanque alcanza el límite establecido en fábrica. Al ir usándose el aire comprimido y bajar el nivel de presión en el tanque hasta llegar al nivel preestablecido, el interruptor de presión vuelve a

arrancar el motor y la bomba continúa comprimiendo el aire.

El **salida de la línea de aire** (vea **E**). Conecte la manguera de aire de 6.35 mm (1/4") NPT en esta salida.

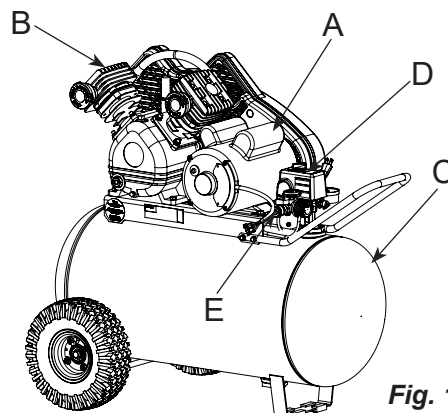


Fig. 1

## MONTAJE

### MONTAJE DEL COMPRESOR



Es te compresor viene con aceite en el cárter de la bomba.

Compruebe el nivel de aceite antes de poner en funcionamiento el compresor de aire; consulte "Verificación del nivel de aceite", en la sección de Mantenimiento.

1. Desembale el compresor de aire. Inspeccione la unidad para verificar que no sufrió daños. Si la unidad ha sido dañada durante el transporte, comuníquese con la empresa transportadora y complete una reclamación por daños. Haga esto de inmediato porque existen limitaciones de tiempo respecto a las reclamaciones por daños.

La caja debe contener los elementos siguientes:

- compresor de aire
- operador/piezas manuales
- empuñadura

2. Verifique el rótulo del número de serie del compresor para asegurarse de que haya recibido el modelo que pidió y que el mismo tenga la presión nominal requerida para el uso deseado.
3. Attach a manejar el compresor como se muestra en la Fig. 2.
4. Ubique el compresor de acuerdo con las pautas siguientes:
  - a. Ubique el compresor cerca de un tomacorriente eléctrico conectado a tierra (consulte INSTRUCCIONES DE PUESTA A TIERRA). Evite el uso de un cordón prolongador; es

preferible usar una manguera más larga.

- b. El lado del volante del compresor se debe encontrar cuando menos a 31 cm (12 pulgadas) de cualquier pared u obstáculo, en un área limpia y bien ventilada, a fin de asegurar el flujo del aire y el enfriamiento adecuados.
  - c. En climas fríos, almacene el compresor portátil en un edificio con calefacción. Esto reducirá problemas de lubricación, arranque del motor y congelamiento del agua de condensación.
  - d. El compresor debe estar nivelado para asegurar una buena lubricación de la bomba y un buen drenaje del agua condensada en el tanque receptor.
5. Conecte una manguera de aire (no incluida) con el enchufe múltiple.

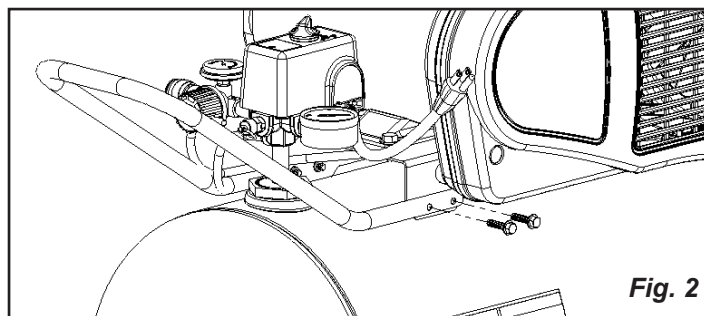


Fig. 2

## CONTROLES DEL COMPRESOR

### Interruptor de presión (vea **A**)

Este interruptor enciende el compresor. Se opera manualmente, pero cuando está en la posición ON, permite que el compresor arranque o se pare automáticamente, sin aviso, según la demanda de aire. Coloque SIEMPRE este interruptor en la posición OFF cuando el compresor no esté en uso y antes de desconectarlo.

### Válvula de seguridad del depósito (ver **B**)

Se usa para permitir aliviar la presión del depósito de aire. Si el interruptor de presión no apaga el compresor cuando se alcanza el nivel establecido de "presión de apagado", la válvula de seguridad protegerá el depósito aliviando la presión del mismo cuando se sobrepase la presión máxima establecida en fábrica (ligeramente superior a la "presión de apagado" del interruptor). Para utilizar manualmente, tire de la anilla de la válvula para purgar el aire del depósito.

### Válvula para purgar o aliviar la presión (ver **C**)

La válvula para aliviar la presión (situada debajo del interruptor de presión) está diseñada para liberar aire comprimido de la cabeza del

compresor y la manguera de salida cuando el compresor alcanza la "presión de apagado" o cuando se apaga manualmente. La válvula de seguridad permite al motor reiniciarse libremente. Cuando el motor deje de funcionar, se oír durante unos segundos cómo se escapa el aire por esta válvula. No se debe escuchar cómo se escapa el aire cuando el motor está en funcionamiento, ni tampoco una vez transcurridos unos segundos después de alcanzar la "presión de apagado".

### Manómetro del depósito (vea **D**)

Este manómetro mide la presión del aire almacenado en el depósito. No es ajustable por el operador y no indica la presión de la línea.

### Regulador de presión de aire (vea **E**)

El regulador de presión de aire permite ajustar la presión en la línea que conecta la herramienta que se está usando.

**¡ADVERTENCIA!** No exceda nunca la presión de trabajo máxima de la herramienta.

## CONTROLES DEL COMPRESOR

Gire la perilla a la derecha para aumentar la presión, y a la izquierda para disminuirla.

### Manómetro regulado (vea F)

Este manómetro mide la presión de línea regulada..

### Salida de la línea de aire (vea G)

Conecte la manguera de aire de 6.35 mm (1/4") NPT en esta salida.

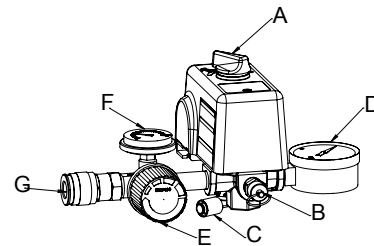


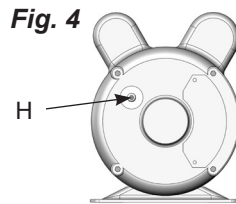
Fig. 3

## RESTABLECIMIENTO Y CABLEADO DEL MOTOR

### INTERRUPTOR DE RESTABLECIMIENTO DEL MOTOR

**ADVERTENCIA:** Asegúrese de que todos los protectores y cubiertas estén colocados en su lugar antes de presionar el interruptor de restablecimiento para volver a arrancar el motor.

Si el motor se apaga debido a una sobrecarga, espere entre 10 y 15 minutos para que el motor pueda enfriarse y luego presione (NUNCA fuerce) el interruptor de restablecimiento (vea H) para volver a arrancar el motor.



**NOTA:** Algunos modelos están equipados con un motor de voltaje doble de 120/240 voltios. La mayoría de los motores se conectan en la fábrica para que funcionen a 120 voltios. Si la conversión a partir de 120 voltios a 240 voltios se requiere, refiera a la placa de identificación del motor y haga que la conversión sea terminada por un electricista licenciado.

### CABLEADO ELÉCTRICO

Consulte el rótulo del número de serie del compresor de aire para ver los requisitos de voltaje y amperaje de la unidad.

#### Use un circuito dedicado.

Para el mejor rendimiento y un arranque fiable, el compresor de aire debe conectarse en un circuito dedicado, tan cerca como sea posible de la caja de fusibles o del disyuntor. El compresor utilizará la capacidad máxima de un circuito de 15 amperios doméstico. Si hay otros equipos eléctricos que estén consumiendo energía del circuito al cual está conectado el compresor, es posible que éste no arranque. Un voltaje bajo o un circuito sobrecargado puede resultar en un arranque lento

que provocará el disparo del sistema de protección de sobrecarga o del disyuntor, especialmente en condiciones de baja temperatura.

**NOTA:** Para proteger la unidad de la carga eléctrica inicial que se produce al encender el compresor de aire, se recomienda utilizar un disyuntor. Si el compresor de aire está conectado a un circuito protegido por un fusible, utilice un fusible temporizado de elemento doble (Buss Fusetron tipo "T" solamente).

### CABLES PROLONGADORES

**NOTA:** Evite el uso de cables prolongadores.

Para obtener un rendimiento óptimo, enchufe el cable eléctrico del compresor directamente a un enchufe de la pared conectado a tierra. No use un cable prolongador a menos que sea absolutamente necesario.

Como alternativa, intente utilizar una manguera de aire más larga para llegar a la zona donde se requiere aire. El cable no debe tener una longitud mayor que 9.1 m (50 pies) y un hilo con calibre mínimo de 12 (AWG). No use prolongadores de calibre 14 ni 16.

Use solamente un cable de 3 hilos que tenga un enchufe de 3 terminales planos y un receptáculo de 3 ranuras que permita conectar el producto. Asegúrese de que su cable prolongador esté en buenas condiciones. Un cable demasiado pequeño provocará una caída en el voltaje de la línea, causando una pérdida en la energía y un sobrecalentamiento. Cuanto más pequeño sea el número de calibre, más pesado será el cable.

### INSTRUCCIONES DE CONEXIÓN A TIERRA

Este producto debe conectarse a tierra. En el caso de cortocircuito eléctrico, la conexión a tierra reduce el riesgo de descarga eléctrica, pues ofrece un escape para la corriente eléctrica.

## REQUISITOS DE ALIMENTACION ELECTRICA

Este producto está equipado con un cable que tiene un alambre de conexión a tierra con su enchufe correspondiente. El enchufe debe conectarse a una toma de corriente que esté bien instalada y conectada a tierra de acuerdo con todos los códigos y ordenanzas locales.

**PELIGRO:** La instalación incorrecta del enchufe de conexión a tierra puede causar un riesgo de descarga eléctrica. Si es necesario reparar o reemplazar el cable eléctrico o el enchufe, no conecte el cable de tierra a ninguno de los terminales planos del enchufe. El hilo de conexión a tierra tiene aislamiento de color verde con rayas amarillas o sin ellas.

Este producto está diseñado para utilizarse en un circuito de 120 V. Se deberá usar un enchufe con un terminal conectado a tierra, tal como el mostrado aquí.

Asegúrese de que el producto esté conectado a una toma de corriente que tenga la misma configuración que el enchufe ( Fig. 5). No debe usarse ningún adaptador con este producto.

Consulte a un electricista cualificado si no comprende completamente las instrucciones de conexión a tierra, o si tiene dudas con respecto a si el producto está correctamente conectado a tierra. No modifique el enchufe provisto; si no encaja en la toma de corriente, haga que un electricista cualificado instale una toma adecuada.

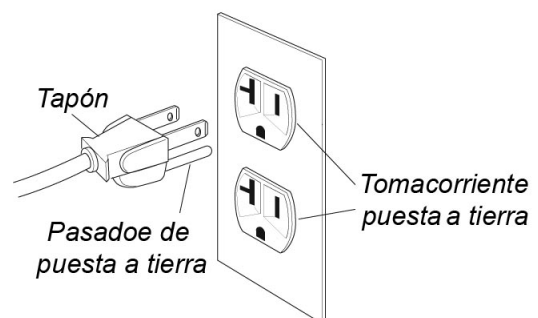



Fig. 5

# INSTRUCCIONES OPERATIVAS

## PUESTA EN MARCHA INICIAL DE LA BOMBA

1. Compruebe el nivel de aceite de la bomba (ver "Verificación del nivel de aceite" en la sección de Mantenimiento).
2. Coloque el conmutador activado por presión en la posición APAGADO. (vea C).
3. Abra la válvula de drenaje. (vea F).

 **PRECAUCIÓN:** El aire y la humedad que escapan del depósito pueden hacer salir desechos susceptibles de provocarle daño en los ojos. Al abrir la válvula de drenaje, lleve puestas gafas de seguridad.

4. Enchufe el cordón eléctrico.
5. Coloque el conmutador de presión en la posición AUTO (vea D). El motor deberá arrancar. Deje funcionar el compresor sin carga durante 30 minutos, para practicar el rodaje de los componentes internos.


**NOTA:** Si después de 30 minutos la unidad no funciona correctamente, APÁGUELA INMEDIATAMENTE, y póngase en contacto con centro de servicio cualificado.

6. Después de aproximadamente 30 minutos, coloque el conmutador de presión en la posición OFF.
7. Cierre la válvula de drenaje (vea E). Gírela hacia la derecha.
8. Coloque el conmutador de presión hasta la posición AUTO. El compresor comenzará a funcionar, llenará el tanque hasta la presión de desconexión y dejará de funcionar.

**NOTA:** A medida que se utiliza el aire comprimido, el interruptor de presión reinicia el motor de forma automática para suministrar más aire comprimido al tanque.


## ARRANQUE DIARIO

1. Compruebe el nivel de aceite de la bomba (ver "Verificación del nivel de aceite" en la sección de Mantenimiento).
2. Coloque el conmutador activado por presión en la posición APAGADO. (vea C).
3. Cierre la válvula de drenaje (vea E). Gírela hacia la derecha.
4. Enchufe el cordón eléctrico.
5. Coloque el conmutador activado por presión en la posición AUTO (vea B). La bomba comenzará a llenar el depósito con aire. Cuando la presión apagara el motor eléctrico. Al usarse la presión de aire y disminuir el nivel de presión en el depósito, el interruptor de presión volverá a arrancar el motor y la bomba comenzará a llenar nuevamente el depósito.

 **ADVERTENCIA:** La bomba genera altas temperaturas. Para evitar quemaduras y otras lesiones, NO toque la bomba ni el tubo de transferencia mientras dicha bomba se encuentra en funcionamiento. Permita que se enfríe antes de manipularla o realizar tareas de mantenimiento. Mantenga a los niños alejados del compresor en todo momento.

**NOTA:** Si la unidad no funciona correctamente, APÁGUELA DE INMEDIATO, y contacte con centro de reparaciones cualificado.


6. Si votre compresseur est équipé d'un régulateur de pression, réglez sa pression pour qu'elle corresponde à la pression de service de l'outil.

 **AVERTISSEMENT:** Pour passer d'une pression élevée à une pression plus basse, tournez le bouton dans le sens contraire des aiguilles d'une montre au-delà du réglage de pression désiré, puis tournez-le dans le sens des aiguilles d'une montre pour atteindre la pression désirée. Ne pas dépasser la pression de fonctionnement de l'outil.

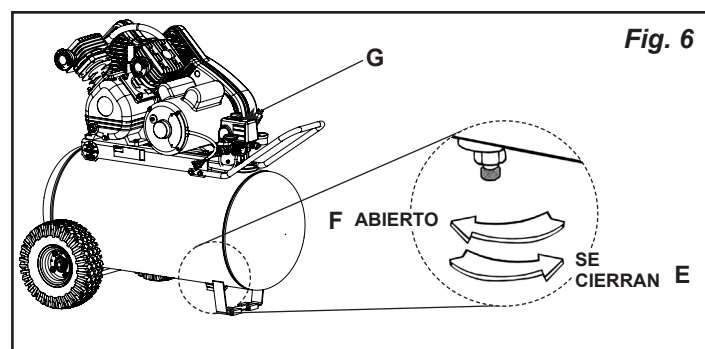
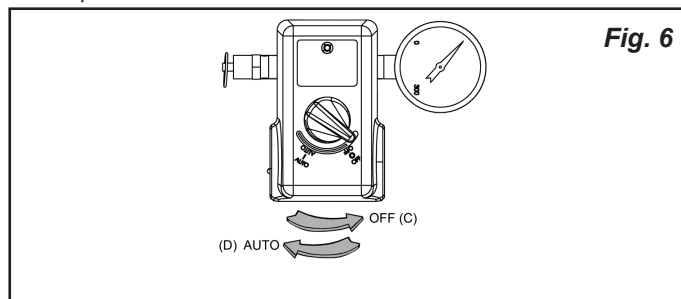
ou de l'accessoire utilisé.

## PARADA

1. Coloque el interruptor de presión en la posición de apagado OFF (vea C).
2. Desenchufe el cordón eléctrico.
3. Reduzca la presión en el depósito a través de la manguera de salida. También puede tirar del anillo de la válvula de seguridad (vea G) y mantenerla abierta para aliviar la presión en el depósito.

 **PRECAUCIÓN:** El aire y la humedad que escapan del depósito pueden hacer salir desechos susceptibles de provocarle daño en los ojos. Al abrir el grifo, lleve puestas gafas de seguridad.

4. Abra la válvula de drenaje (vea F) para vaciar la humedad del depósito.



## MANTENIMIENTO



**ADVERTENCIA:** Esta unidad arranca automáticamente. SIEMPRE apague el compresor, quite el enchufe de la toma de corriente, y purgue toda la presión del sistema antes de realizar operaciones de mantenimiento en el compresor y cuando el compresor no esté en uso. No utilice la unidad sin las cubiertas o sin el protector de la correa, ya que podría sufrir lesiones por contacto con las piezas móviles.

El mantenimiento regular asegurará una operación sin problemas. Su compresor de aire con alimentación eléctrica representa lo mejor en ingeniería y construcción; sin embargo, incluso la maquinaria de alta calidad requiere un mantenimiento periódico. Los elementos enumerados a continuación deben inspeccionarse de manera regular.

## DESAGÜE DEL DEPÓSITO

Vacíe la humedad presente en el tanque (para conocer las instrucciones, consulte "Parada" en la sección de instrucciones de funcionamiento).



**ADVERTENCIA:** La condensación se acumulará en el depósito. Para prevenir la corrosión en el interior del depósito, se debe eliminar la humedad al final de cada día de trabajo. Use protección ocular.

**Nota:** En climas fríos, vacíe el tanque antes de cada uso, para reducir los problemas del congelamiento del agua de condensación.

## VERIFICACIÓN DEL NIVEL DE ACEITE

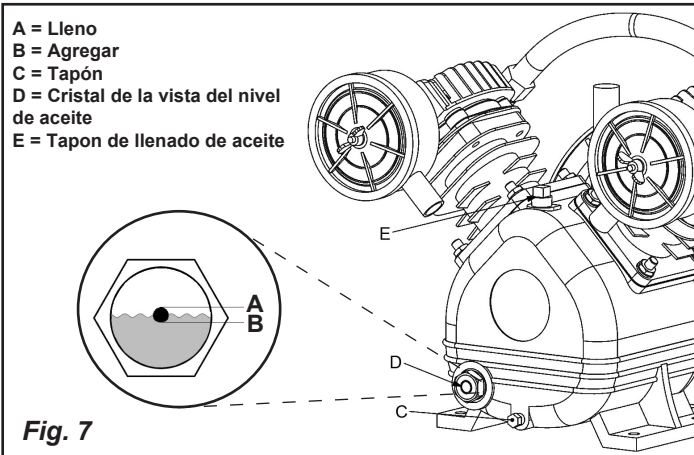
Verifique el nivel de aceite en cada bomba con la mirilla. El nivel de aceite de la bomba debe estar en la marca correspondiente a "lleno" de la mirilla (vea A y B). La bomba no puede llenarse nunca por defecto ni por exceso.

**NOTA:** Utilice un aceite completamente sintético y sin detergente para compresor de aire.

## CAMBIO DE ACEITE

Quite el tapón (C) del aceite y deje que salga hasta gotear, luego vuelva a poner el tapón. Desenrosque el tapón de llenado de aceite (E) y añada aceite para compresor (approx. 11.35 oz.) hasta que el nivel se encuentre entre (A) Lleno y Agregar (B). Coloque de nuevo el tapón. La bomba no puede llenarse nunca por defecto ni por exceso.

**NOTA:** Utilice un aceite completamente sintético y sin detergente para compresor de aire.



## AJUSTE DE LA TENSIÓN DE LA CORREA DE TRANSMISIÓN

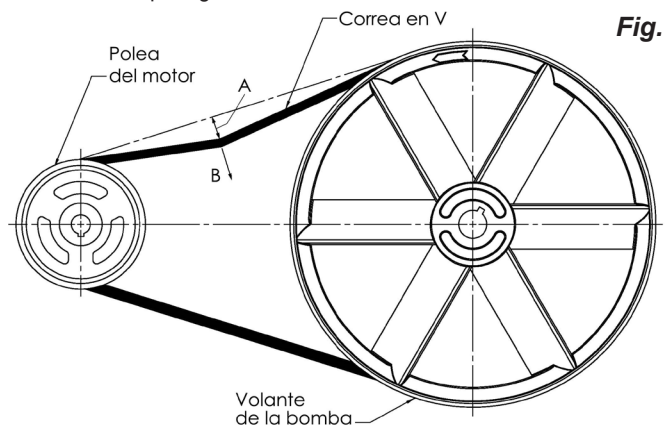
**NOTA:** El ajuste de la tensión de la correa de transmisión y la alineación de la polea se realizan al mismo tiempo. Se explican por separado para mayor claridad.



**ADVERTENCIA:** Esta unidad arranca automáticamente. SIEMPRE apague el compresor, quite el enchufe de la toma de corriente, y purgue toda la presión del sistema antes de realizar operaciones de mantenimiento en el compresor y cuando el compresor no esté en uso. No utilice la unidad sin las cubiertas o sin el protector de la correa, ya que podría sufrir lesiones por contacto con las piezas móviles.

Debe mantenerse la tensión correcta de la correa y la alineación adecuada de la polea para obtener una máxima eficiencia de accionamiento y vida útil de dicha correa. La tensión es correcta si la deflexión es (vea A) de 13 mm (1/2") al colocar 2,3 kg (5 lb) de fuerza (vea B) en un punto intermedio entre la polea del motor y el volante del compresor (Fig. 8). Esta deflexión puede ajustarse mediante el procedimiento siguiente. La polea debe alinearse cuidadosamente con el volante y todos los tornillos de fijación deben mantenerse ajustados.

1. Retire el protector de la correa.
2. Afloje los pernos de montaje del motor.
3. Desplace el motor hasta el punto en el cual exista la deflexión correcta (A y B).
4. Vuelva a apretar los pernos de montaje del motor hasta una torsión de 14,7-20,3 N-m (130-180 pulg-lb).
5. Verifique para asegurarse de que la tensión sigue siendo la correcta.
6. Vuelva a instalar el protector de la correa. Todas las piezas móviles deben estar protegidas.



## ALINEACIÓN DE LA POLEA

**NOTA:** El ajuste de la tensión de la correa de transmisión y la alineación de la polea se realizan al mismo tiempo. Se explican por separado para mayor claridad.



**ADVERTENCIA:** Esta unidad arranca automáticamente. SIEMPRE apague el compresor, quite el enchufe de la toma de corriente, y purgue toda la presión del sistema antes de realizar operaciones de mantenimiento en el compresor y cuando el compresor no esté en uso. No utilice la unidad sin las cubiertas o sin el protector de la correa, ya que podría sufrir lesiones por contacto con las piezas móviles.

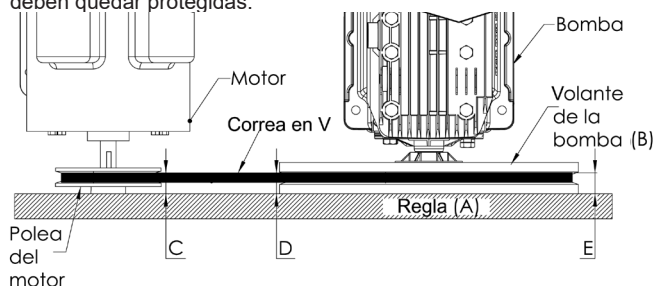
**NOTA:** Una vez que la polea del motor ha sido movida de su posición de fábrica, las ranuras del volante y la polea deben alinearse hasta un

## MANTENIMIENTO

margen de 1/16 pulgadas (1,6 mm) para evitar un desgaste excesivo de la correa.

Para verificar la alineación de la polea, retire el protector de la correa y coloque una regla (vea **A**) contra el volante de la bomba (vea **B**) (**Fig. 9**). Mida y registre la distancia desde la regla al borde de la correa de transmisión en el punto C. Luego mida de nuevo la distancia desde la regla al borde de la correa de transmisión en los puntos D y E. Ambas distancias deben ser iguales a la del punto C. Si D o E resultan distintas de C, existe una mala alineación que debe ser corregida antes de hacer funcionar el compresor. Para corregir una mala alineación de la polea, aplique el procedimiento siguiente.

1. Retire el protector de la correa.
2. Afloje los pernos de montaje del motor.
3. Alinee la polea del motor con el volante de la bomba (**C = D = E**).
4. Ajuste la tensión correcta de la correa.
5. Vuelva a ajustar los pernos de montaje del motor.
6. Vuelva a instalar el protector de la correa. Todas las piezas móviles deben quedar protegidas.



### CAMBIO DE LA CORREA DE TRANSMISIÓN

**ADVERTENCIA:** Esta unidad arranca automáticamente. SIEMPRE apague el compresor, quite el enchufe de la toma de corriente, y purgue toda la presión del sistema antes de realizar operaciones de mantenimiento en el compresor y cuando el compresor no esté en uso. No utilice la unidad sin las cubiertas o sin el protector de la correa, ya que podría sufrir lesiones por contacto con las piezas móviles.

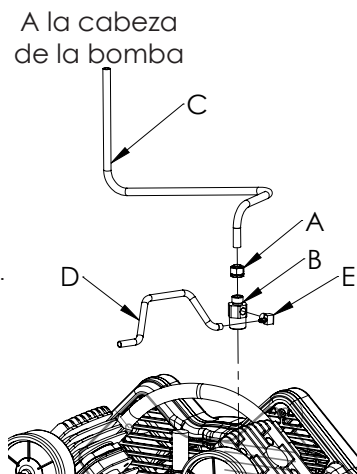
1. Retire el protector de la correa.
2. Afloje los pernos de montaje del motor.
3. Desplace el motor hacia la bomba hasta que se pueda retirar e instalar fácilmente la correa.
4. Retire la correa y cámbielas. NOTA: Es necesario centrar la correa sobre las ranuras del volante y la polea del motor.
5. Desplace el motor otra vez hasta el punto en que se produzca la deflexión correcta (ver "Ajuste de la tensión de la correa de transmisión").
6. Vuelva a apretar los pernos de montaje del motor hasta una torsión de 14,7-20,3 N-m (130-180 pulg-lb).
7. Verifique para asegurarse de que la tensión se mantuvo correcta.
8. Vuelva a instalar el protector de la correa. Todas las piezas móviles deben estar protegidas.

### PARACAMBIAROLIMPIARLAVÁLVULADERETENCIÓN

**ADVERTENCIA:** Esta unidad arranca automáticamente. SIEMPRE apague el compresor, quite el enchufe de la toma de corriente, y purgue toda la presión del sistema antes de realizar operaciones de mantenimiento en el compresor y cuando el compresor no esté en uso. No utilice la unidad sin las cubiertas o sin el protector de la

correa, ya que podría sufrir lesiones por contacto con las piezas móviles.

1. Apague el compresor de aire, desenchúfelo de la pared o cierre totalmente el suministro eléctrico y purgue todo el aire del depósito (ver "Parada" en la sección de Instrucciones operativas). Asegúrese de que el compresor se ha enfriado antes de repararlo.
2. Con una llave del tamaño adecuado, afloje las tuercas de compresión (A) en la válvula de retención (B). Retire la manguera de transferencia (C).
3. Retire la manguera de purga (D) del codo (E) situado en el lateral de la válvula de retención tirando de ella con cuidado desde el extremo con muescas.
4. Tomando nota de la orientación para poder recomponerla luego, desenrosque la válvula de retención del depósito (en sentido contrario a las agujas del reloj) utilizando una llave del tamaño adecuado.
5. Con un lápiz o destornillador, empuje con cuidado el disco de la válvula hacia arriba y hacia abajo. Si el disco de la válvula no se mueve libremente hacia arriba y hacia abajo, es necesario limpiar o cambiar la válvula de retención.
6. Limpie la válvula de retención con agua jabonosa templada y asegúrese de secarla bien antes de volver a instalarla. Si el disco de la válvula todavía no se mueve libremente hacia arriba y hacia abajo, necesitará cambiarla.
7. Aplique sellador de rosca a la rosca de la válvula de retención y vuelva a instalarla en el depósito enroscándola en el sentido de las agujas del reloj. Asegúrese de que tiene la misma orientación que tenía antes de retirarla.
8. Vuelva a colocar la manguera de purga empujándola contra el extremo del codo con muescas.
9. Vuelva a colocar la manguera de transferencia y apriete las tuercas de compresión.



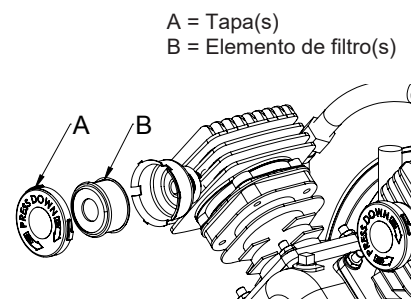
Válvula de retención

### LIMPIEZA DEL FILTRO DE AIRE

Un filtro de aire sucio reducirá el rendimiento y la vida útil del compresor.

Para evitar cualquier contaminación interna de la bomba del compresor, el filtro debe limpiarse frecuentemente y reemplazarse de manera regular. Los filtros de fieltro

deben limpiarse en agua jabonosa tibia. Los filtros de papel deberán sustituirse cuando estén sucios. No permita que los filtros se llenen de suciedad ni pintura. Si el filtro se llena de pintura, deberá reemplazarse. La exposición directa a condiciones de suciedad y zonas en las que estén



## MANTENIMIENTO

pintando anulará su garantía.

### REVISIÓN DE LA VÁLVULA DE DESCARGA

Tire de la válvula de seguridad del depósito todos los días para asegurarse de que la válvula funciona adecuadamente, y para limpiar la válvula de cualquier obstrucción que pueda tener.

### DETECCIÓN DE FUGAS

Compruebe que todas las conexiones estén ajustadas. Una pequeña fuga en cualquiera de las mangueras, tubos de transferencia o tubería reducirá de manera substancial el rendimiento de su compresor de aire. Si sospecha la existencia de una fuga, rocíe una pequeña cantidad de agua

jabonosa alrededor de la zona con un pulverizador. Si aparecen burbujas, selle y ajuste nuevamente la conexión. No ajuste en exceso.

### ALMACENAMIENTO

Antes de almacenar el compresor durante períodos prolongados, use una pistola de aire para limpiar todo el polvo y suciedad del compresor. Desconecte el cable eléctrico, enrollándolo. Tire de la válvula de seguridad para purgar todo el aire del depósito. Elimine toda la humedad del depósito. Limpie los elementos y el alojamiento del filtro; reemplácelos si fuera necesario. Drene el aceite del cárter de la bomba y reemplácelo con aceite nuevo. Cubra toda la unidad para protegerla de la humedad y del polvo.

## INTERVALOS DE SERVICIO

Realice el mantenimiento siguiente a los intervalos indicados a continuación.	Todos los días o después de cada uso	Cada 100 horas de operación	Después de las primeras 8 horas y cada 100 horas de operación
Revise el filtros de aire (límpielo o cámbielo según sea necesario)	•		
Verificación del nivel de aceite en la bomba	•		
Cambio del aceite de la bomba ( <i>Utilice un aceite completamente sintético y sin detergente para compresor de aire.</i> )		•	
Compruebe el funcionamiento de la válvula de seguridad del depósito	•		
Verificación de la tensión de las correas		•	
Drenaje del depósito	•		
Verificación y ajuste de todos los pernos ( <i>no ajuste en exceso</i> )			•

## GLOSARIO DE TÉRMINOS

**l/min:** Litros por minuto; una unidad de la medida de flujo de aire.

**Bar:** Es una unidad de medida de la presión del aire.

**Presión de encendido:** Cuando el motor está apagado, la presión de aire del depósito va bajando a medida que usted continúa utilizando su accesorio. Cuando la presión del depósito baje hasta un nivel mínimo establecido en fábrica, el motor se reiniciará automáticamente. Esta presión mínima que hará que el motor se inicie automáticamente se llama "presión de encendido" ("cut-in pressure").

**Presión de apagado:** Cuando se enciende un compresor de aire y este empieza a funcionar, la presión en el depósito de aire comienza a subir.

Cuando alcanza el nivel máximo establecido en fábrica, el motor se apaga automáticamente, protegiendo el depósito de aire de presiones más elevadas de las que puede soportar. Esta presión máxima que hará que el motor se apague automáticamente se llama "presión de apagado" ("cut-out pressure").

**Bien ventilado:** Significa proveer aire fresco para contrarrestar el escape de gases o los vapores peligrosos.

**Circuito dedicado:** Un circuito eléctrico reservado para uso exclusivo del compresor de aire.

## CUADRO DE DETECCIÓN DE FALLOS

Nota: Los problemas de detección de fallos pueden tener causas y soluciones similares.

PROBLEMA	CAUSA POSIBLE	SOLUCION
<b>Consumo excesivo de la corriente hace saltar el cortacircuito o el interruptor de restablecimiento del motor</b>	Voltaje bajo/sobrecarga del motor	Verifique que el suministro de energía sea el adecuado y que el compresor se encuentre conectado en un circuito dedicado. Si está usando un cable prolongador, intente utilizar el equipo sin el mismo. Si el compresor de aire se conecta a un circuito protegido por un fusible, utilice fusibles de acción retardada de doble elemento (sólo Buss Fusetron tipo "T").
	Demasiada tensión en la correa de transmisión	Vuelva a ajustar la tensión de la correa.
	Conductos de aire restringidos	Revise y cambie las mangueras de transferencia o la válvula de retención (ver "Para cambiar o limpiar la válvula de retención" en la sección de Mantenimiento).
<b>Se detiene el compresor</b>	Bajo voltaje al motor	Suministre la potencia adecuada.
	Válvula de retención dañada	Cambie la válvula de retención (ver "Para cambiar o limpiar la válvula de retención" en la sección de Mantenimiento).
	Bomba inmovilizada	Póngase en contacto con centro de servicio cualificado.
<b>Baja presión de descarga</b>	Fugas de aire	Ajuste o reemplace los accesorios o las conexiones con fugas. No a priete en exceso.
	Válvulas con fugas	Póngase en contacto con centro de servicio cualificado.
	Entrada de aire restringida	Limpie o reemplace los elementos del filtro de aire.
	Juntas salidas	Póngase en contacto con centro de servicio cualificado.
	Anillos del pistón o cilindro desgastados	Póngase en contacto con centro de servicio cualificado.
<b>Golpeteo de la bomba del compresor</b>	Polea del motor o volante del compresor suelto	Vuelva a ajustar la polea y el volante. Verifique la alineación.
	Bajo nivel de aceite en el cárter de la bomba	Mantenga en todo momento el nivel de aceite adecuado.
	Demasiado carbón en las válvulas o en la parte superior del pistón	Póngase en contacto con centro de servicio cualificado.
<b>Aceite en el aire de descarga</b>	Anillos de pistón o cilindros desgastados	Póngase en contacto con centro de servicio cualificado.
	Entrada de aire restringida	Limpie o reemplace los elementos del filtro.
	Nivel de aceite demasiado alto	Reduzca al nivel adecuado.
<b>Sobrecalentamiento</b>	Mala ventilación	Vuelva a ubicar el compresor en una zona con aire fresco, seco y con buena circulación, por lo menos a 30 cm (12") de la pared más cercana.
	Superficies de refrigeración sucias	Limpie muy bien todas las superficies de enfriamiento.
	Conductos de aire restringidos	Revise y cambie las mangueras de transferencia o la válvula de retención (ver "Para cambiar o limpiar la válvula de retención" en la sección de Mantenimiento).
<b>Desgaste excesivo de la correa</b>	La polea está desalineada	Vuelva a alinear la polea con el volante del compresor.
	Mala tensión de la correa	Vuelva a ajustar.
	La polea se bambolea	Reemplace la polea y verifique si el eje o el volante está dañado.
<b>El compresor no arranca con temperaturas frías</b>	Demasiada contrapresión en el depósito	Abra la válvula de descarga al arrancar el motor.
	Aceite de 40W en el cárter	Utilice un aceite completamente sintético y sin detergente para compresor de aire.
	El compresor está demasiado frío	Desplace el compresor hasta un lugar más templado.
<b>La válvula de purga pierde aire después de apagar el compresor</b>	Válvula de retención sucia o defectuosa	Limpie o cambie la válvula de retención (ver "Para cambiar o limpiar la válvula de retención" en la sección de Mantenimiento).



## PARTS AND SERVICE

Replacement parts and service are available from your nearest authorized Service Center. If the need arises, contact Product Service as listed at right.

When consulting with a Service Center or Product Service, refer to the model number and serial number located on the serial label of the compressor. Proof of purchase is required for all transactions and a copy of your sales receipt may be requested.

Record the model number, serial number, and date purchased in the spaces provided below. Retain your sales receipt and this manual for future reference.

Model No.

Serial No.

Date Purchased, la date d'achat, la fecha de compra

When needing service, please contact the nearest authorized Service Center or call:

### PRODUCT SERVICE



**In U.S.A. or Canada**  
**Toll-Free**  
**Fax**

**1-888-895-4549**  
**1-507-723-5013**



## PIÈCES ET RÉPARATIONS

Pour pièces de rechange et réparations de votre Centre d'Entretien autorisé le plus proche. Au besoin, veuillez contacter le service après-vente (Product Service) au numéro de téléphone ou à droite.

Lorsque vous appelez un Centre d'Entretien ou le service après-vente, veuillez indiquer le numéro de modèle et le numéro de série situé sur la étiquette de série du compresseur. Une preuve d'achat est nécessaire lors de toute transaction et une copie de votre reçu peut être exigée.

Inscrivez la date d'achat au-dessus de, dans les espaces

réservé à cet effet. Conservez votre reçu et ce manuel pour référence ultérieure.

Quand vous avez besoin des services de l'usine, s'il vous plaît contactez au centre d'entretien autorisé le plus proche ou composez simplement le :

### SERVICE CLIENTÈ



**Au Canada**  
**Appel gratuit**  
**Télécopieur**

**1-888-895-4549**  
**1-507-723-5013**



## REPUESTOS Y SERVICIO

Las piezas de repuesto y el servicio están disponibles del Centro de Servicio autorizado más cercano. Consulte con el Servicio al Cliente (Product Service) listado debajo, si surge la necesidad.

Refiérase al número de modelo y el número de serie situado en la etiqueta de serie del compresor, cuando consulte con un Centro de Servicio o el Servicio al Cliente. Se requiere la prueba de compra para todas las transacciones y puede requerirse una copia de su recibo de venta.

En los espacios provisto arriba registre la fecha de compra. Guarde su recibo de venta y este manual para referencia futura.

Cuando necesite servicio por favor de consultar el centro de servicio autorizado más cercano o notificar por correo a:

### Product Service

Sanborn Mfg., Division of MAT Industries, LLC.  
118 West Rock Street  
Springfield, MN 56087

Made in the USA of domestic and global components.  
Fabriqué aux États-unis avec des composants d'origine américaine ou étrangère.  
Fabricado en los EE.UU. con componentes nacionales y mundiales.

© 2014, 2015, 2016, 2017, 2018, 2019 **Sanborn Mfg.**  
Division of MAT Industries, LLC.  
Springfield, MN 56087

**1-888-895-4549**  
**[www.matoemparts.com](http://www.matoemparts.com)**

All Rights Reserved. Tous droits réservés. Reservados todos los derechos.