



Read this Owner's Manual thoroughly before operating the equipment. Keep it with the equipment at all times. Replacements are available from Thern, Inc., PO Box 347, Winona, MN 55987, 507-454-2996. www.thern.com

IMPORTANT: Please record product information on page 2. This information is required when calling the factory for service.

ORIGINAL TEXT



Owner's Manual

For
5PT30 Series
Transportable Davit Cranes

Two-Year Limited Warranty

Please record the following:

Date Purchased: _____

Crane Model No.: _____

Crane Serial No.: _____

If sold with a winch:

Winch Model No.: _____

Winch Serial No.: _____

This information is required when calling the factory for service.

Thern, Inc. warrants its products against defects in material or workmanship for two years from the date of purchase by the original using buyer, or if this date cannot be established, the date the product was sold by Thern, Inc. to the dealer. To make a claim under this warranty, contact the factory for an RGA number. The product must be returned, prepaid, directly to Thern, Inc., 5712 Industrial Park Road, Winona, Minnesota 55987. The following information must accompany the product: the RGA number, the date of purchase, the description of the claimed defect, and a complete explanation of the circumstances involved. If the product is found to be defective, it will be repaired or replaced free of charge, and Thern, Inc. will reimburse the shipping cost within the contiguous USA.

This warranty does not cover any damage due to accident, misuse, abuse, or negligence. Any alteration, repair or modification of the product outside the Thern, Inc. factory shall void this warranty. This warranty does not cover any costs for removal of our product, downtime, or any other incidental or consequential costs or damages resulting from the claimed defects. This warranty does not cover brake discs, wire rope or other wear components, as their life is subject to use conditions which vary between applications.

FACTORY AUTHORIZED REPAIR OR REPLACEMENT AS PROVIDED UNDER THIS WARRANTY IS THE EXCLUSIVE REMEDY TO THE CONSUMER. THERN, INC. SHALL NOT BE LIABLE FOR ANY INCIDENTAL OR CONSEQUENTIAL DAMAGES FOR BREACH OF ANY EXPRESS OR IMPLIED WARRANTY ON THIS PRODUCT. EXCEPT TO THE EXTENT PROHIBITED BY APPLICABLE LAW, ANY IMPLIED WARRANTY OF MERCHANTABILITY OR FITNESS FOR A PARTICULAR PURPOSE ON THIS PRODUCT IS LIMITED IN DURATION TO THE DURATION OF THIS WARRANTY.

Some states do not allow the exclusion or limitation of incidental or consequential damages, or allow limitations on how long an implied warranty lasts, so the above limitation or exclusion may not apply to you. This warranty gives you specific legal rights, and you may also have other rights which vary from state to state.

Note: Thern, Inc. reserves the right to change the design or discontinue the production of any product without prior notice.

About This Manual

The Occupational Safety and Health Act of 1970 states that it is the employer's responsibility to provide a workplace free of hazard. To this end, all equipment should be installed, operated, and maintained in compliance with applicable trade, industrial, federal, state, and local regulations. It is the equipment owner's responsibility to obtain copies of these regulations and to determine the suitability of the equipment to its intended use.

This Owner's Manual, and warning labels attached to the equipment, are to serve as guidelines for hazard-free installation, operation, and maintenance. They should not be understood to prepare you for every possible situation.

The information contained in this manual is applicable only to the Thern 5PT30 Series Transportable Davit Cranes. Do not use this manual as a source of information for any other equipment.

The following symbols are used for emphasis throughout this manual:

▲WARNING

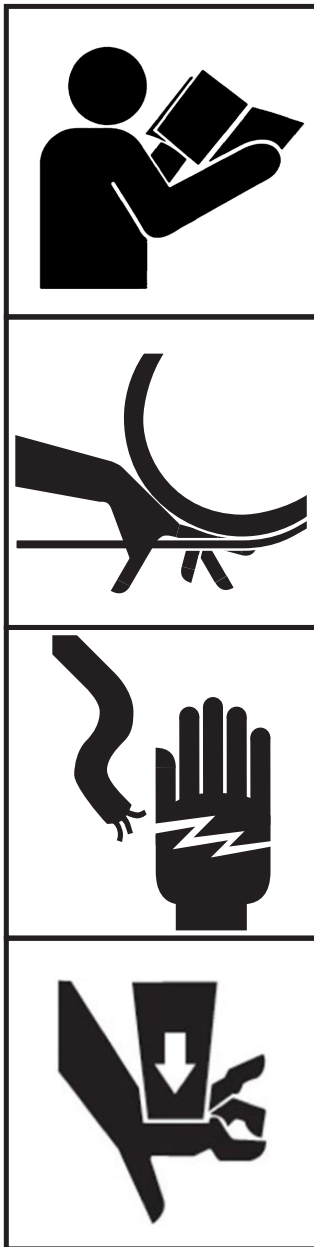
Failure to follow 'WARNING!' instructions may result in equipment damage, property damage, and/or serious personal injury.

▲CAUTION

Failure to follow 'CAUTION!' instructions may result in equipment damage, property damage, and/or minor personal injury.

Important!

Failure to follow 'important!' instructions may result in poor performance of the equipment.



Suggestions for Safe Operation

⚠WARNING

DO the following:

Read and comply with the guidelines set forth in this Owner's Manual. Keep this manual, and all labels attached to the crane, readable and with the equipment at all times. Contact Thern, Inc. for replacements.

Check lubrication before use.

Install the wire rope securely to the winch drum.

Keep at least 4 wraps of wire rope wound on the drum at all times, to serve as anchor wraps. With less than 4 wraps on the drum the wire rope could come loose, causing the load to escape.

Keep hands away from sheaves, gears, wire rope, and other moving parts of the equipment.

Disconnect electric power before servicing the equipment.

Keep all unnecessary personnel away from crane while in operation. Keep out of the path of the load, and out of the path of a broken wire rope that might snap back and cause injury.

When operating the ratchet jack, avoid fully un-threading. Test the travel limits of the ratchet jack before assembly to the crane and before loading, to verify it does not fully un-thread. Contact Thern if it does fully un-thread.

Ensure that both threaded ends of the ratchet jack (if equipped) are threaded an equal distance out of the jack when assembled to the crane. If threaded ends are not equal, the crane boom will not be able to operate in its full range of motion, and equipment damage could occur.

**⚠WARNING****DO NOT do the following:**

Do not lift people, or things over people. Do not walk or work under a load or in the line of force of any load.

Do not exceed the load rating of the crane or any other component in the system. To do so could result in failure of the equipment.

Do not use more than one crane to move a load that exceeds the load rating of a single crane. A shift in load weight could overload the equipment.

Do not use damaged or malfunctioning equipment. To do so could result in failure of the equipment.

Do not modify the equipment in any way. To do so could cause equipment failure.

Do not wrap the wire rope around the load. This damages the wire rope and could cause the load to escape. Use a sling or other approved lifting device.

Do not operate the crane with guards removed or improperly installed.

Do not divert your attention from the operation. Stay alert to the possibility of accidents, and try to prevent them from happening.

Do not jerk or swing the load. Avoid shock loads by starting and stopping the load smoothly. Shock loads overload the equipment and may cause damage.

Do not use the crane and winch components for any use other than for their original intended function.

Do not use the crane to drag or pull loads. This will create side pulls, which could damage the equipment or cause the load to tip.

Do not leave a suspended load unattended. Place the load on the ground if it must be left unattended.

Do not adjust the winch brake with the load suspended.

Do not make adjustments to the ratchet jack while the crane is loaded. To do so may require the use of excessive force which could allow the operator to shear the travel limit pin and cause damage or injury.

Do not force the ratchet handle past travel limits. This could shear the travel limit pin and cause damage or injury.

Do not adjust the ratchet jack with the use of a ratchet handle extension. To do so could allow the operator to shear the travel limit pin and cause damage or injury.

1.1 Installing the Crane

Important!

- A qualified professional should inspect or design the foundation to insure that it will provide adequate support.
- Locate the crane so it will be visible during the entire operation.

⚠WARNING

Do not install the crane in an area defined as hazardous by the National Electric Code, unless installation in such an area has been thoroughly approved.

Do not install the crane near corrosive chemicals, flammable materials, explosives, or other elements that may damage the crane or injure the operator. Adequately protect the crane and the operator from such elements.

Position the crane so the operator can stand clear of the load, and out of the path of a broken wire rope that could snap back and cause injury.

Attach the crane to a rigid and level foundation that will support the crane and its load under all load conditions, including shock loading.

1.1.1 CONSULT APPLICABLE CODES AND REGULATIONS for specific rules on installing the equipment.

1.1.2 LOCATE THE CRANE in an area clear of traffic and obstacles that could interfere with operation. Make sure the crane is accessible for maintenance and operation.

1.1.3 INSTALL THE CRANE on a level surface. **An uneven surface may cause the boom to rotate in the direction the mast is leaning.**

1.1.4 FASTEN THE BASE securely to the foundation to withstand applicable overturning moments and mounting bolt reaction. See Table 1.

- a FOR STANDARD PRODUCTS referred to in this manual, use 1 1/4-inch coarse thread fasteners, grade 5 or better. Torque for Grade 5 fasteners without lubrication is 1120 ft lb. Make sure mounting holes are secured to a solid foundation able to support the crane and the load under all conditions with design factors based on accepted engineering practices.

Refer to manufacturer's instructions for other fastener types with specific torque or installation instructions.

- b NON-STANDARD PRODUCTS that vary from the original design may have different fastening requirements. Contact a structural engineer or Thern, Inc. for this information.

TO COMPLY WITH LOCAL CODES, CONTACT A QUALIFIED PROFESSIONAL TO OBTAIN PROPER STRUCTURE OR FOUNDATION SPECIFICATIONS FOR THE MOUNTING OF THERN PRODUCTS.

			Pedestal Base		Wall Mount Base				
Crane Model	Mast Moment		Suggested Bolt Size	Axial Force per Bolt ¹		Axial Force per Bolt ¹		Shear Force per Bolt	
5PT30	287,710 in-lbs	32,509 N-m	1-1/4 in (M30)	9,280 lbs	41,282 N	10,620 lbs	47,242 N	6,450 lbs	28,693 N
¹ Force in tension. ² This information may change without prior notice. It is the responsibility of the installer and/or end user to ensure the most current information is used.									

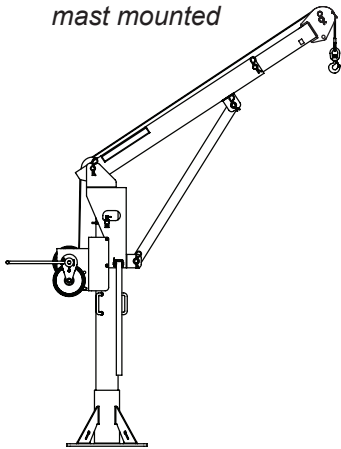
1.2 Assembling the Crane

Important!

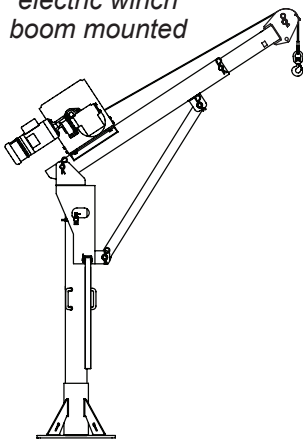
- Inspect the crane during assembly according to the Instructions for Periodic Inspection. This will give you a record of the condition of the crane with which to compare future inspections.
- Save all boxes and crates that the crane was shipped in, use them again if you need to repackage the crane.
- Contact the factory immediately if any parts are missing or damaged.
- Do not over-tighten fasteners, this may strip threads or cause damage to other parts.

Figure 1 – Winch Mounting

*hand winch
mast mounted*



*electric winch
boom mounted*



⚠WARNING

When installing the ratchet jack or boom brace, use lifting equipment. Secure the end of the boom so the boom does not fall and the ratchet jack or boom brace does not swing up causing damage or injury.

When installing the boom extension, use lifting equipment. Secure the boom extension so it does not slide abruptly in or out of the boom causing damage or injury.

- 1.2.1 STUDY PARTS DRAWINGS to understand how the crane is assembled. See pages 18-20.
- 1.2.2 LUBRICATE PINS and other components prior to assembly. See Section 3.2 - Lubricating the Crane.
- 1.2.3 INSTALL THE BASE and then assemble the crane in the following order.
 - a INSTALL THE MAST in the base. Rotate the mast to make sure the bottom of the mast properly seats into the bottom of the base.
 - b INSTALL OUTER MAST over mast by aligning the pivot pin at the top of the outer mast with the bearing hole in the top of the mast. Rotate the outer mast to make sure the pivot pin and the bearing hole are seated properly.
 - c FASTEN THE BOOM to the outer mast and install the rear sheave (if required for your model) using the fasteners provided. See Figure 1. **Make sure the boom is positioned correctly, with the angled end of the boom facing the mast.**
 - d SLIDE THE BOOM EXTENSION into the boom, and secure in place with the fasteners provided. **Make sure the boom extension is positioned correctly so the auxiliary mounting hole is below the sheave.** See Figure 1.
 - e INSTALL THE RATCHET JACK OR BOOM BRACE, and secure in place with the fasteners provided. (Note that when installing the ratchet jack the shorter end of the jack should point down). See page 18.
 - f IF EQUIPPED WITH A RATCHET JACK, Ensure that both threaded ends of the ratchet jack are threaded an equal distance out of the jack when assembled to the crane. If threaded ends are not equal, the crane boom will not be able to operate in its full range of motion, and equipment damage could occur.
 - g INSTALL THE HANDLE on the outer mast, and secure in place with the fasteners provided.
 - h INSTALL THE WINCH MOUNTING PLATE TO THE OUTER MAST if required for your model, and secure in place with the fasteners provided. See Figure 1.
 - j ADJUST ROTATIONAL STOP BRACKET by adjusting bracket to have a running clearance with the mast ring. The rotational lock spring plunger should line up with the holes in the mast ring.
- 1.2.4 FASTEN THE WINCH to the mounting plate (mast mounted winch) or mounting angles (boom mounted winch) as required for your model, and secure in place with the fasteners provided. **Make sure the winch is positioned correctly. See page 20.**
- 1.2.5 INSTALL THE WINCH HANDLE on hand winches, or connect electric current on power winches. Refer to instructions in the Winch Owner's Manual.

- 1.2.6 **INSTALL THE WIRE ROPE. Use wire rope assemblies in the length specified on page 23.**
 - a REMOVE ROPE KEEPER PIN at the sheave to allow rope to be installed.
 - b PASS THE WIRE ROPE over the sheave at the end of the boom.
 - c REINSTALL ROPE KEEP PIN to prevent the rope from escaping the sheave rope groove.
 - d ANCHOR THE WIRE ROPE to the winch drum and wind 4 wraps of wire rope onto the drum to act as anchor wraps. Refer to the instructions in the Winch Owner's Manual.

FOR DISASSEMBLY, reverse these steps.

2.1 General Theory of Operation

Important!

- Limit non-uniform winding by keeping tension on the wire rope.
- It is your responsibility to detect and account for different factors affecting the condition and performance of the equipment.

- 2.1.1 THE INTENDED USE of this machinery is to lift and lower loads of its rated capacity or less. It is not for lifting people or things over people.
- 2.1.2 THE FORCE REQUIRED to lift the load must not exceed the load rating of the crane. Consider the total force required to lift the load, not the weight of the load.
- 2.1.3 THIS EQUIPMENT CAN develop forces that will exceed the load rating. It is the responsibility of the equipment user to limit the size of the load. Inspect the equipment regularly for damage according to the instructions contained in this manual.
- 2.1.4 PERFORMANCE RATINGS of the equipment are affected by the position of the boom and the amount of wire rope you use. See the Performance Characteristics Tables on page 22.
- a LOAD RATING represents the maximum pull that can be placed on new equipment. Load ratings are assigned values for specific boom positions and wire rope lengths. **Crane load ratings decrease as you extend the boom.**
 - b LIFT varies with the position of the boom and the length of the wire rope.
 - c REACH varies with the position of the boom.
- 2.1.5 DUTY RATINGS refer to the type of use the equipment is subject to. Consider the following when determining duty rating.
- a ENVIRONMENT: harsh environments include hot, cold, dirty, wet, corrosive, or explosive surroundings. **Protect the equipment from harsh environments when possible.**
 - b MAINTENANCE: poor maintenance, meaning poor cleaning, lubrication, or inspection, leads to poor operation and possible damage of the equipment. **Minimize poor maintenance by carefully following the instructions contained in this manual.**
 - c LOADING: severe loading includes shock loading and lifting loads that exceed the load rating of the equipment. **Avoid shock loads, and do not exceed the load rating of the equipment.**
 - d FREQUENCY OF OPERATION: frequent or lengthy operations increase wear and shorten the life span of gears, bearings, sheaves, and other components. **Increase maintenance of the equipment if used in frequent operations.**
- 2.1.6 AIRBORNE NOISE EMISSIONS vary depending on load and the type of winch being used. Standard configurations do not typically exceed a sound pressure level of 80dB(A) at workstations.
- 2.1.7 VIBRATION LEVELS vary depending on load and type of winch being used. Standard configurations do not typically exceed vibration levels of 2.5 m/s².

CONTACT THE FACTORY FOR MORE INFORMATION.

2.2 Preparing for Operation

Important!

- Start an inspection program as soon as you put the crane into use.
- Appoint a qualified person to be responsible for regularly inspecting the equipment.
- Keep written records of inspection. This allows comparison with comments from previous inspections so you can see changes in condition or performance.

⚠WARNING

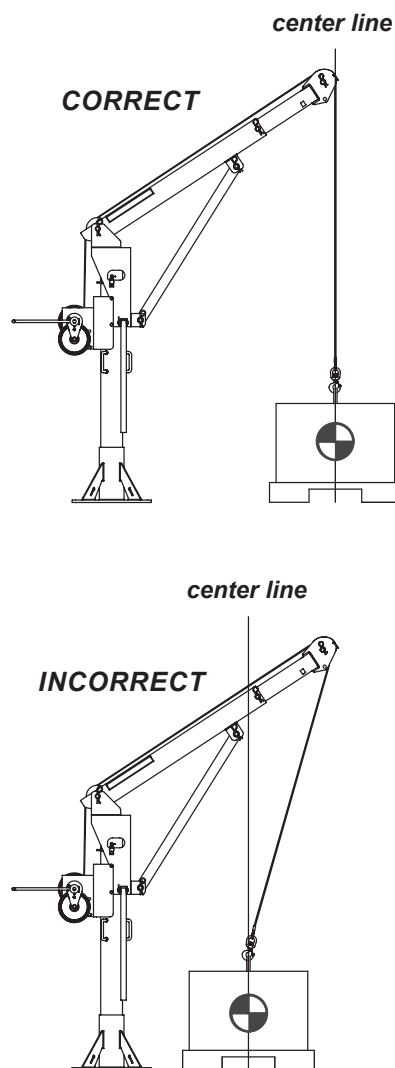
When adjusting boom length, use lifting equipment. Secure the boom and boom extension and lower the boom angle to just above horizontal. Hold boom extension securely so it does not slide or fall abruptly in or out of the boom causing damage or injury.

When operating the ratchet jack, avoid fully un-threading. Test the travel limits of the ratchet jack before assembly to the crane and before loading, to verify it does not fully un-thread. Contact Thern if it does fully un-thread.

Do not make adjustments to the ratchet jack while the crane is loaded. To do so may require the use of excessive force which could allow the operator to shear the travel limit pin and cause damage or injury.

Do not adjust the ratchet jack with the use of a ratchet handle extension. To do so could allow the operator to shear the travel limit pin and cause damage or injury.

Figure 2 – Positioning the Boom



2.2.1 CONSIDER THE OPERATION. Do not begin until you are sure you can perform the entire operation without hazard.

2.2.2 INSPECT ALL COMPONENTS of the system.

- INSPECT THE CRANE and other equipment according to the Instructions for Frequent Inspection.
- INSPECT THE WINCH according to the instructions in the Winch Owner's Manual.
- OPERATORS must be in good health, alert, thoroughly trained in operating the equipment, and properly clothed (hard hat, safety shoes and safety glasses, no loose clothing).
- THE LOAD must be clear of other objects and free to move. Make sure the load will not tip, spin, roll away, or in any way move uncontrollably.

2.2.3 KNOW YOUR LOAD and make sure you do not exceed the load rating of the crane or any other equipment in the system.

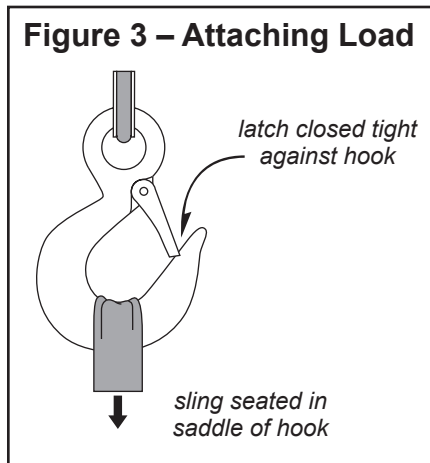
2.2.4 POSITION THE BOOM so the load hook is centered over the load. **Avoid side pulls which could damage the crane or cause the load to tip. See Figure 2.**

- ADJUST BOOM LENGTH by moving the boom extension in or out. **The load rating decreases as you increase boom length. See the Performance Characteristics Tables page 23.**
- ON MODELS EQUIPPED WITH A RATCHET JACK, adjust boom angle by operating the ratchet jack to raise or lower the boom. **Do not make adjustments while the crane is loaded.** The lift height below base level decreases as you raise the boom. **See the Performance Characteristics Tables on page 23.**

2.3 Attaching the Load

⚠WARNING

Do not wrap the wire rope around the load. This damages the wire rope and could cause the load to escape. Use a sling or other approved lifting device.



- 2.3.1 CLEAR OBJECTS from the path of the load so you can move it freely and observe it at all times during the operation.
- 2.3.2 MAKE SURE THE WIRE ROPE is not twisted. A twisted wire rope could cause the load to spin when it is raised off the ground.
- 2.3.3 ATTACH THE LOAD using a nylon sling, or other approved lifting device. Follow the recommendations of the sling manufacturer.
- SEAT THE SLING in the saddle of the hook with the hook latch completely closed. See Figure 3.
 - CENTER THE LOAD on the hook so it will remain balanced and not tip or rotate to one side.

2.4 Moving the Load

⚠WARNING

When operating the ratchet jack, avoid fully un-threading. Test the travel limits of the ratchet jack before assembly to the crane and before loading, to verify it does not fully un-thread. Contact Thern if it does fully un-thread.

Do not make adjustments to the ratchet jack while the crane is loaded. To do so may require the use of excessive force which could allow the operator to shear the travel limit pin and cause damage or injury.

Do not adjust the ratchet jack with the use of a ratchet handle extension. To do so could allow the operator to shear the travel limit pin and cause damage or injury.

- 2.4.1 Move the load slowly and smoothly, only a small distance at first. Make sure the load is balanced and securely attached before continuing.
- 2.4.2 OPERATE THE WINCH to raise or lower the load. Refer to the instructions in the Winch Owner's Manual.
- 2.4.3 OBSERVE THE WIRE ROPE as it winds onto the drum. If it becomes loose, uneven, or overlapped, stop the operation and rewind the wire rope before continuing. **Continued operation with overlapped or uneven wire rope can damage the wire rope and shorten its life.**
- 2.4.4 OPERATE THE RATCHET JACK if equipped, to adjust the angle of the boom to keep the sheave centered over the load. **Do not make adjustments while the crane is loaded.**
- 2.4.5 ROTATE THE BOOM to move the load side-to-side.
- ROTATE THE BOOM slowly and smoothly to avoid swinging the load or causing shock loads. **Do not jam the boom against other objects.**
 - USE THE HANDLE to rotate the boom. **Do not push or pull the load or the wire rope to rotate the boom.**

Important!

- Obey a stop signal from anyone.
- Maintain tension on the wire rope to keep it tightly and evenly wound on the drum.
- If the crane and load are not visible during the entire operation, get help from another person.
- Appoint a supervisor if more than one person is involved in the operation. This will reduce confusion and increase safety.
- When lifting a load, use a tag line to keep the load from swinging or twisting, while keeping yourself away from the load.

3.1 Cleaning the Crane

Important!

Increase the frequency of maintenance procedures if the crane is:

- Operated for long periods.
- Used to lift heavy loads.
- Operated in wet, dirty, hot, or cold surroundings.

Clean the crane to remove dirt and help prevent rust and corrosion.

- 3.1.1 CLEAN THE CRANE every six months or whenever it is dirty.
 - a WIPE ALL EQUIPMENT to remove dirt and grease.
 - b LEAVE A LIGHT FILM of oil on all surfaces to protect against rust and corrosion.
 - c WIPE OFF excessive amounts of oil to avoid the accumulation of dirt.
- 3.1.2 REMOVE UNNECESSARY OBJECTS from the area surrounding the crane.

3.2 Lubricating the Crane

Important!

- Make sure lubricant has a temperature rating appropriate for the ambient temperatures of the operation.

Lubricate the crane properly to help protect it from wear and rust. Read the following instructions carefully.

- 3.2.1 LUBRICATE ALL PINS before installation and at least every 3 months. Use a grease brush to apply a light film of NLGI #2 grease to all pins.
- 3.2.2 LUBRICATE THE TOP MAST BEARING before installation and at least every 3 months. Use a grease gun to apply an NLGI #2 grease to the grease fitting. See Figure 4.
- 3.2.3 LUBRICATE THE MAST ROLLERS on the outside mast weldment before installation and at least every 3 months. Use a grease gun to apply an NLGI #2 grease to the grease fitting. See Figure 5.
- 3.2.4 LUBRICATE THE RATCHET JACK, if applicable, before installation and at least every 3 months. Use a grease gun to apply an NLGI #2 grease to the grease fittings on the ratchet jack until excess grease can be seen. See Figure 6.
- 3.2.5 LUBRICATE THE WINCH. Refer to the winch owner's manual for instructions.
- 3.2.6 LUBRICATE THE WIRE ROPE and other equipment by following the manufacturers recommendations.

Figure 4 – Mast Bearing

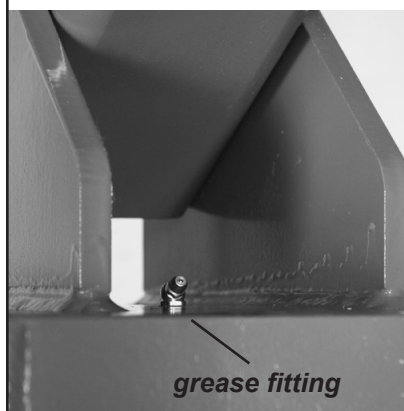


Figure 5 – Mast Rollers

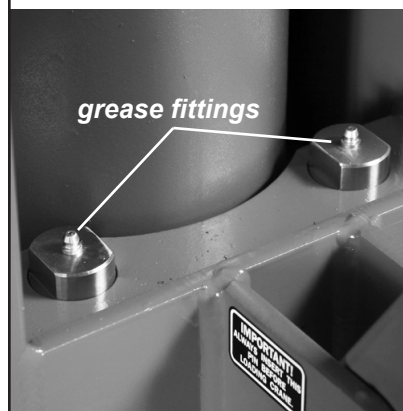


Figure 6 – Ratchet Jack



3.3 Inspecting the Equipment

Important!

- Start an inspection program as soon as you put the crane into use.
- Appoint a qualified person to be responsible for regularly inspecting the equipment.
- Keep written records of inspection. This allows comparison with comments from previous inspections so you can see changes in condition or performance.

Perform frequent inspections:

- Before each operation.
- Every 3 hours during operation.
- Whenever you notice signs of damage or poor operation.

⚠WARNING

Do not use damaged or malfunctioning equipment. Place an “OUT OF ORDER” sign on the crane. Do not use the crane until the sign is removed by a qualified maintenance person who has completely corrected the problem.

Inspect the crane to detect signs of damage or poor operation before they become hazardous. See Table 2 - Inspection Checklist.

3.3.1 CONSULT APPLICABLE CODES AND REGULATIONS for specific rules on inspecting the crane and other equipment.

3.3.2 REFER TO THE WINCH OWNER'S MANUAL for information regarding winch inspection.

3.3.3 Instructions for Frequent Inspection

a VISUALLY INSPECT the entire crane and all other equipment involved in the operation.

- Check all equipment for cracks, dents, bending, rust, wear, corrosion and other damage.
- Make sure the wire rope is installed correctly and anchored securely.
- Make sure the entire crane is properly lubricated.
- Make sure all fasteners are tight and secure.
- Make sure mounting fasteners are tightened securely.
- Check the ratchet jack, if applicable, for signs of leakage or damage, and make sure it operates smoothly to raise and lower the boom.
- Make sure the foundation is in good condition, and capable of supporting the crane and its load under all load conditions.

b TEST CRANE PERFORMANCE by operating the crane with a load not exceeding the load rating.

- Listen for unusual noises, and look for signs of damage as you operate the crane.
- Make sure the wire rope winds evenly and tightly onto the drum. If it is loose or uneven, rewind it before continuing.
- Make sure the load moves smoothly, without hesitation or strain.
- On hand operated models, make sure the winch handle rotates freely in both directions.
- On power operated models, make sure the winch responds to the control device. It must rotate as shown on the control labels, and it must turn off when you release the control.
- Make sure the boom rotates freely when you push the handle, and remains stationary when you release it.
- Check the brake. Raise the load, then lower it and stop it a few feet off the ground. If the load continues to coast or creep under normal operating conditions, the brake may be worn and in need of repair or replacement. Contact the factory.

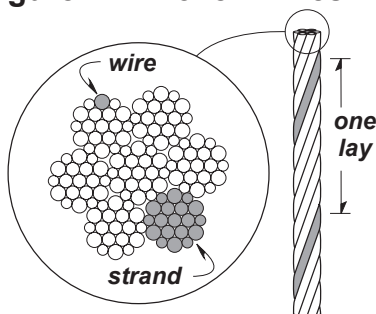
Completely correct all problems before continuing. Use the Troubleshooting Chart to help determine the cause of certain problems. See Table 3.

Perform periodic inspections:

- Every 6 months.
- Whenever you return the crane to service from storage.
- Whenever you notice damage or poor operation in a frequent inspection.
- Whenever you have, or think you may have, overloaded or shock loaded the crane.

Frequent Wire Rope Inspection:

- Use ASME B30.7 as a guideline for rope inspection, replacement and maintenance.
- Check the wire rope, end connections and end fittings for corrosion, kinking, bending, crushing, bird-caging or other signs of damage.
- Check the number, distribution and type of visible broken wires. See paragraph 3.3.4 b and Figure 7.
- Check the wire rope for reduction of rope diameter from loss of core support, or wear of outside wires. See Figure 9.
- Take extra care when inspecting sections of rapid deterioration such as sections in contact with saddles, sheaves, repetitive pickup points, crossover points and end connections.

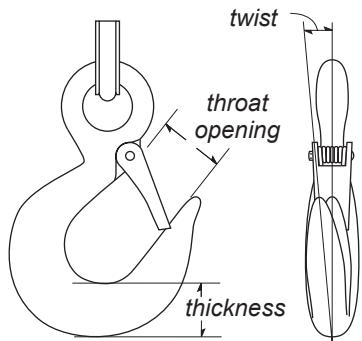
Figure 7 – Broken Wires

Wire rope assembly must be replaced if more than 6 wires are broken in one lay, or if more than 3 wires are broken in one strand in one lay.

3.3.4 Instructions for Periodic Inspection. See Table 2.

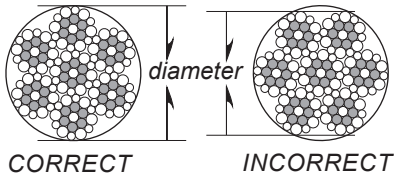
- a VISUALLY INSPECT the crane and all other equipment.
 - Disassembly may be required in order to properly inspect individual components. Contact factory for assembly/disassembly instructions. Disassembly of the winch or crane before contacting Thern, Inc. voids all warranties.
 - Check the finish for wear, flaking, or other damage.
 - Check all equipment for cracks, dents, bending, rust, wear, corrosion and other damage. If the equipment was overloaded, or if you notice cracks and other signs of overloading and damage, promptly remove equipment from use and have it repaired or replaced. **DO NOT CONTINUE TO USE DAMAGED OR OVERLOADED EQUIPMENT OR WIRE ROPE.**
 - Check all fasteners for stripped threads, wear, bending, and other damage.
 - Make sure the entire crane is properly lubricated.
 - Check the ratchet jack, if applicable, for signs of leakage or damage, and make sure it operates smoothly to raise and lower the boom.
 - Remove the ratchet jack from the crane assembly. Test the travel limits of the ratchet jack. Make sure it does not fully un-thread.
 - Make sure all labels and name plates are readable, firmly attached, free of damage and clean. Replacements are available from the factory.
- b INSPECT THE WIRE ROPE according to the wire rope manufacturer's recommendations, or follow accepted industry standards for wire rope inspection.
 - Always wear protective clothing when handling wire rope.
 - Check the entire length of wire rope for bent wires, crushed areas, broken or cut wires, corrosion, and other damage. Carefully inspect areas that pass over sheaves or through roller guides.
 - Note the location and concentration of broken wires. Replace wire rope if more than 6 wires are broken in one lay, or more than 3 wires are broken in one strand in one lay. See Figure 7.
 - Make sure the load hook or other device is securely attached to the wire rope, and the wire rope where it is attached is not frayed, corroded, broken, or otherwise damaged.
 - Measure the throat opening, thickness, and twist of the hook. Replace the hook if it shows signs of damage. See Figure 8.
 - Make sure hook latch opens without binding and closes when released.
 - Check the anchor holes in the drum and the surrounding area for signs of wear or distortion.
- c PLACE enough weight to keep the wire rope straight and tightly drawn.
 - Measure the diameter of the wire rope, especially in areas where wear is noticeable. Replace the wire rope if the diameter measures below the minimum diameter at any point. See Figure 9.

Figure 8 – Load Hook Inspection



The wire rope assembly must be replaced if the throat opening is 15% wider than nominal, if the thickness is 10% less than nominal, or if the hook is twisted 10° or more.

Figure 9 – Rope Diameter



The wire rope assembly must be replaced if the diameter measures less than the minimum diameter at any point.

wire rope size	minimum diameter
1/4 in	15/64 in (.2344 in)
5/16 in	19/64 in (.2969 in)
3/8 in	23/64 in (.3594 in)

- d REMOVE THE WINCH and inspect it by following the instructions in the Winch Owner's Manual.
- e DISASSEMBLE THE CRANE by removing the wire rope, winch, boom extension, boom brace or ratchet jack and sheaves. Inspect each component for damage.
- f REMOVE THE CRANE BASE from the foundation.
 - Check fasteners for stripped threads, wear, bending, and other damage.
 - Check the foundation for cracks, corrosion, and other damage.
- g FASTEN THE CRANE BASE securely to the foundation.
- h REASSEMBLE THE CRANE.
- i TEST CRANE PERFORMANCE by operating the crane with a load equal to the load rating.
 - Listen for unusual noises, and look for signs of damage as you operate the crane.
 - Make sure the wire rope winds evenly and tightly onto the drum. If it is loose or uneven, rewind it before continuing.
 - Make sure the load moves smoothly, without hesitation or strain.
 - On hand operated models, make sure the winch handle rotates freely in both directions.
 - On power operated models, make sure the winch responds to the control device. It must rotate as shown on the control labels, and it must turn off when you release the control.
 - Make sure the boom rotates freely when you push the handle, and remains stationary when you release it.
 - Check the brake. Raise the load, then lower it and stop it a few feet off the ground. If the load continues to coast or creep under normal operating conditions, the brake may be in need of repair or replacement. Contact the factory.

Completely correct all problems before continuing. Use the Troubleshooting Chart to help determine the cause of certain problems. See Table 3.

3.4 Repairing the Crane

Important!

- It is your responsibility to determine when to replace parts. When considering whether to continue using a part or to replace it, remember that replacing it is the best way to avoid further equipment damage.
- Appoint a qualified person to be responsible for all repairs to the equipment.

- 3.4.1 GET FACTORY AUTHORIZATION for all repairs. Unauthorized repairs will void the warranty, and may lead to damage or failure of the crane.
- 3.4.2 REPLACE DAMAGED OR POORLY OPERATING PARTS with Thern repair parts.
- 3.4.3 REFINISH AREAS where the paint is worn or flaking. A good finish helps to protect against corrosion and weather damage.
 - a REMOVE THE FINISH from damaged areas, down to the bare metal.
 - b CLEAN THE AREA thoroughly.
 - c REPAINT with a high quality primer and finishing coat.
- 3.4.4 TO ORDER REPAIR PARTS, contact your local dealer. Include the following information when ordering:
 - Model number
 - Serial number (or code number)
 - Part number
 - Date purchased, and from whom
 - Description of what happened, or what is wrong
 - Your name and return address

Table 2 – Inspection Checklist *checked boxes indicate damage or problem in need of repair*

	damages	problems
general	<input type="checkbox"/> finish weathered, flaking, otherwise damaged <input type="checkbox"/> parts cracked, bent, rusted, worn, otherwise damaged	<input type="checkbox"/> equipment not properly lubricated <input type="checkbox"/> unusual noises, other signs of malfunction
foundation	<input type="checkbox"/> loose, unstable, otherwise damaged	<input type="checkbox"/> not level - boom swerves
fasteners	<input type="checkbox"/> stripped threads, bent, worn, otherwise damaged	<input type="checkbox"/> loose, not tightened to the proper torque
boom assembly	<input type="checkbox"/> holes worn, distorted, or otherwise damaged	<input type="checkbox"/> does not rotate freely
winch assembly	<input type="checkbox"/> gears, bearings, and other parts worn, otherwise damaged <input type="checkbox"/> brake corroded, cracked, worn, otherwise damaged	<input type="checkbox"/> winch jerks or hesitates under load <input type="checkbox"/> brake does not operate properly
sheaves	<input type="checkbox"/> holes worn, distorted, or otherwise damaged	<input type="checkbox"/> does not rotate freely
wire rope	<input type="checkbox"/> bent, crushed, otherwise damaged <input type="checkbox"/> broken wires, see Figure 7 replace if more than 6 wires in one lay, or 3 wires in one strand in one lay, are broken <input type="checkbox"/> diameter reduced, see Figure 9 replace if diameter is excessively worn	<input type="checkbox"/> wire rope loosely or unevenly wound number per strand = number per lay = diameter =
end connections	<input type="checkbox"/> corroded, rusted, worn, otherwise damaged	<input type="checkbox"/> not securely attached
load hook	<input type="checkbox"/> twisted, bent, worn, otherwise damaged, see Figure 8 replace if twist is 10 degrees or more replace if throat width is 15% larger than nominal replace if thickness is 10% less than nominal	<input type="checkbox"/> hook latch fails to close when released twist = throat width = thickness =
labels and plates	<input type="checkbox"/> dirty, illegible, otherwise damaged	<input type="checkbox"/> loosely attached or missing
comments:		

authorized signature: _____ date _____		

Table 3 – Troubleshooting Chart

Contact the factory for detailed instructions if you are required to disassemble the crane or winch for any reason. Disassembly of the crane or winch before contacting Thern, Inc. voids all warranties.

problem	cause	correction
overheating	<ul style="list-style-type: none"> operated too long without rest. load too heavy poor lubrication. bearing seized up 	<ul style="list-style-type: none"> allow to cool lighten load inspect and lubricate as necessary inspect and replace as necessary
boom bounces up and down	<ul style="list-style-type: none"> load too heavy mounting bolts loose sheave worn or damaged. foundation loose or unlevel winch gears worn or damaged 	<ul style="list-style-type: none"> lighten load tighten mounting bolts to proper torque inspect and replace as necessary inspect and repair as necessary inspect and repair as necessary
boom does not rotate	<ul style="list-style-type: none"> rotation points contaminated or worn 	<ul style="list-style-type: none"> inspect and repair as necessary
boom rotates on its own	<ul style="list-style-type: none"> foundation loose or unlevel mast bent, distorted, or leaning. 	<ul style="list-style-type: none"> inspect and repair as necessary inspect and repair as necessary
unusual noises		
high pitched squeak	<ul style="list-style-type: none"> poor lubrication. 	<ul style="list-style-type: none"> lubricate entire crane properly
grinding noise	<ul style="list-style-type: none"> contaminated lubricant at rotation points 	<ul style="list-style-type: none"> clean and lubricate rotation points
rattling noise	<ul style="list-style-type: none"> loose bolts, set screws or other fasteners. 	<ul style="list-style-type: none"> tighten all bolts and other fasteners
resistance felt in ratchet jack - boom not able to raise or lower to the published angle limits	<ul style="list-style-type: none"> threaded ends of ratchet jack do not protrude equally from the jack 	<ul style="list-style-type: none"> Adjust the threaded rod ends by removing the jack and turning the ends until an equal amount of threads are showing
ratchet jack fully un-threads	<ul style="list-style-type: none"> travel limit pin damaged 	<ul style="list-style-type: none"> contact Thern

Refer to the Winch Owner's Manual for possible problems with the winch and brake.

Table 4 – Crane Weight Chart

Model 5PT30					
Component	Part Numbers	Component Weight		Assembly/Disassembly Weight (with fasteners)	
		LB	KG	LB	KG
Mast	B4836	197	89.5	197	89.5
Boom	B4840	115	52.3	119	54.1
Boom Ext	B4867	89	40.5	93	42.3
Boom Brace	B4912	27	12.3	27	12.3
Ratchet Jack	C4382	65	29.5	65	29.5
Handle	B4911	9	4.1	9	4.1
Outer Mast	D3154	88	40	98	44.5
Winch Mounting Plate	C4364	37	16.8	37	16.8

4.1 Transporting the Crane

Important!

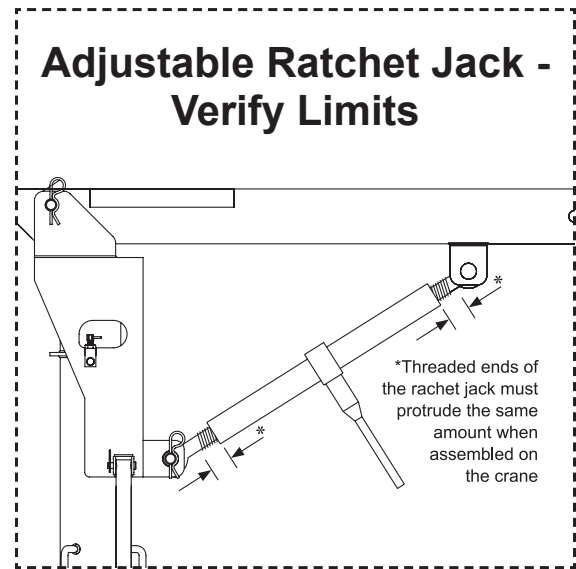
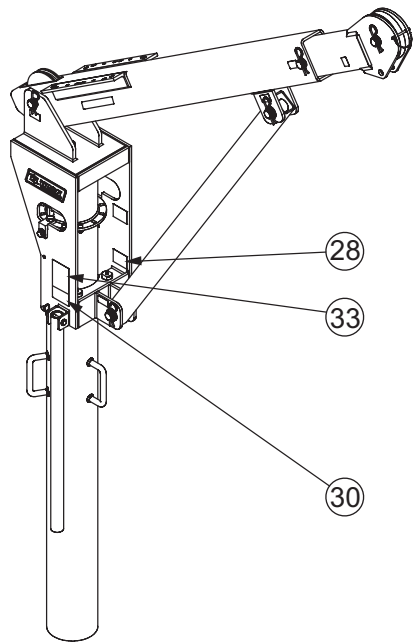
- Keep a record of what you ship, and when you send it.

- 4.1.1 PARTIALLY DISASSEMBLE THE CRANE into components that can be transported.
- 4.1.2 PACK THE CRANE for transport, using the original packaging materials, if appropriate.
- 4.1.3 PACK THE WINCH for transport, using the original packaging materials, if appropriate. Please see the winch owner's manual for instructions.
- 4.1.4 REASSEMBLE THE CRANE at its new location following the instructions under Section 1.2 - Assembling the Crane.
- 4.1.5 INSPECT THE CRANE according to the Instructions for Frequent Inspection before installing it for operation. See Section 3.3.3 - Instructions for Frequent Inspection.

4.2 Storing the Crane

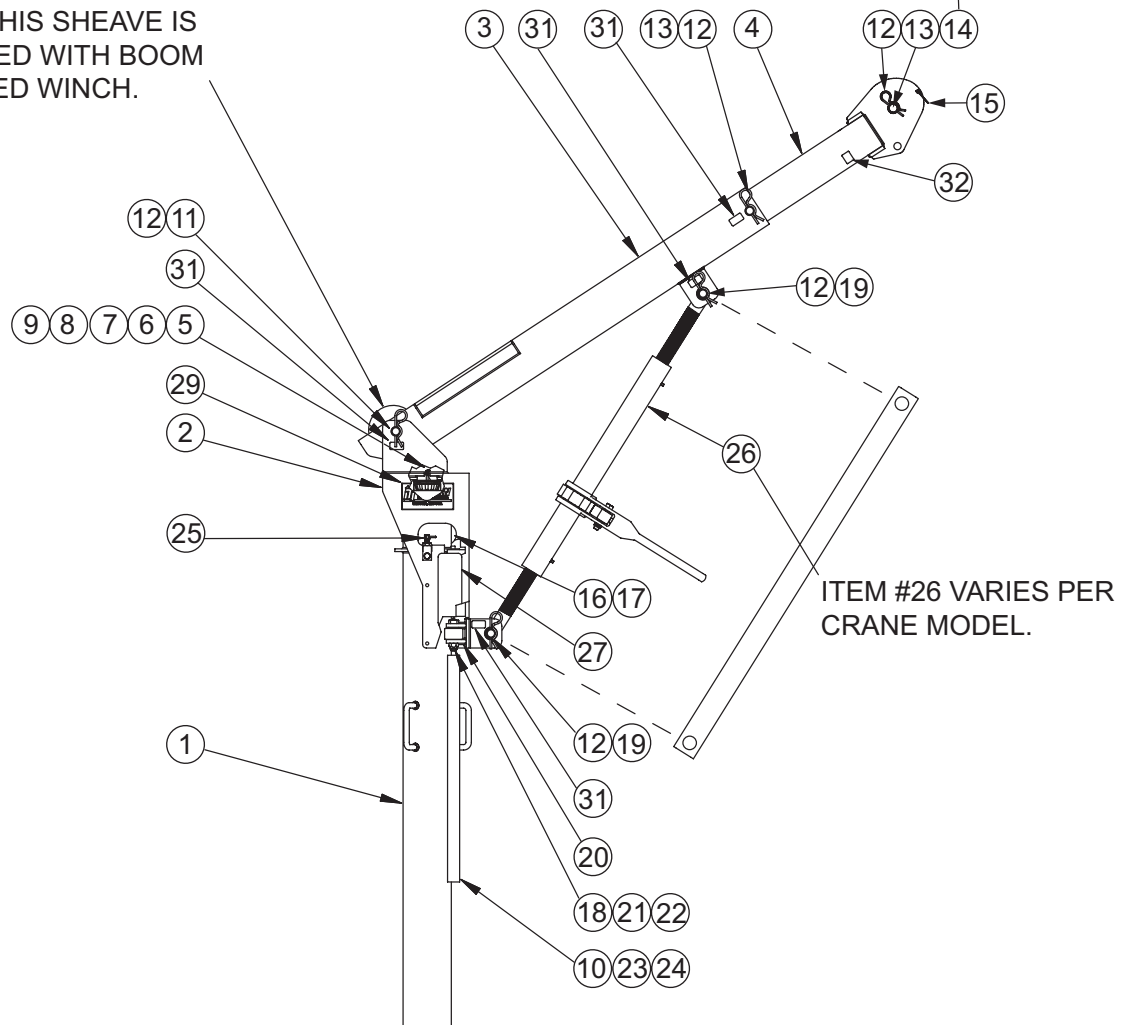
- 4.2.1 PARTIALLY DISASSEMBLE THE CRANE and store all parts in a cool clean place away from corrosive chemicals and moisture.
- 4.2.2 SEAL THE CRANE in plastic with a desiccant to help protect it from rust, corrosion, and other damage.
- 4.2.3 SEAL THE WINCH in plastic with a desiccant to help protect it from rust, corrosion, and other damage. Please see the winch owner's manual for instructions.
- 4.2.4 REASSEMBLE THE CRANE at its new location following the instructions under Assembling the Crane.
- 4.2.5 INSPECT THE CRANE according to Section 3.3.4 - Instructions for Periodic Inspection before installing it for operation.

5PT30 Series



SEE NOTE 2, PAGE 20.

NOTE: THIS SHEAVE IS NOT USED WITH BOOM MOUNTED WINCH.



5PT30 Series Transportable Davit Cranes¹

item	description	part number	qty.
1	MAST	B4836	1
2	OUTER MAST	D3154	1
3	BOOM WELDMENT	B4840	1
4	BOOM EXTENSION WELDMENT	A20184	1
5	ZERK DRIVE .250 X 65 DEG ZNPL STL	A3197	1
6	BEARING CUP	A9566	1
7	BEARING CONE	A9567	1
8	BEARING RETAINER	A9572	1
9	RING RET INT 3.625 STL ZNPL	A9568	1
10	ROTATION HANDLE	B4911	1
11	CLEVIS PIN 1.250 X 5.500 EFF LENGTH SST	A7258	1
12	HAIR COTTER PIN 1.12/1.50 X .243 DIA SST	A9507	5
13	CLEVIS PIN 1.250 X 2.625 EFF LENGTH SST	A20174	1
14 ²	SHEAVE 6.75 OD X 1.25 ID X .38 WIRE ROPE	B4921	1
15	PIN LINCH D .250 X 2.500 SST	A13549	1
16	CAPSCR SOKHD .375-16NC X .875 SST	A2879	2
17	NUT HEX NYLK .375-16NC SST	A4325	2
18	ZERK DRIVE .250 ZNPL	A3988	2
19	CLEVIS PIN 1.688 X 3.125 EFF LENGTH SST	A9501	2
20	BRG TRACK ROLL YOKE 2.50 X 0.75	A9569	2
21	NUT HEX NYLK .750-10NC 18-8 SST	A2887	2
22	BEARING PIN	A9571	2
23	CLEVIS PIN .625 X 2.500 EFF LENGTH SST	A7260	1
24	HAIR COTTER PIN .500/.625 X .148 DIA SST	A2838	1
25 ¹	ROTATION LOCK KIT 5PT30	B7397	1
26 ³	BOOM BRACE	B4912	1
26 ^{3,4}	RATCHET JACK 1-3/4 X 32 TYPE D OFFSET HANDLE	C4382	1
27	WARNING LABEL	A1961	1
28	PINCH POINT LABEL	A9065	4
29	TERN LOGO	A6887	1
30	NAMEPLATE SST	A1976	1
31	INSERT PIN LABEL	A2188	8
32	LABEL UP W/ARROW (BOTH SIDES)	A10768	2
33 ³	LOAD RATING LABEL 5PT30-E5	B4941	1
33 ³	LOAD RATING LABEL 5PT30-M1	B4942	1
33 ³	LOAD RATING LABEL 5PT30-E2	B6073	1

¹ Specify finish of crane when ordering parts.

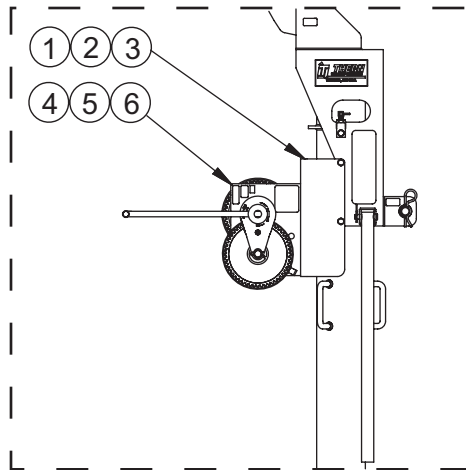
² Part quantity varies per crane model number. Only 1 required for E2 and E5 series.

³ Part varies per crane model.

⁴ The galvanized ratchet jack is C4477.

5PT30-M1 Series Winch¹				
item	description	part number	qty.	
1	WINCH MOUNTING PLATE	C4364	1	
2	CAPSCR HEXHD .500-13NC X 1.250 SST	A7941	4	
3	WASHER HELSPRLK .500 X .879 X .125 SST	A3937	4	
4	NUT HEX NYLK .500-13NC SST	A4330	4	
5	CAPSCR HEXHD .500-13NC X 1.500 SST	A3264	4	
6	CRANE WINCH	M452B-K	1	

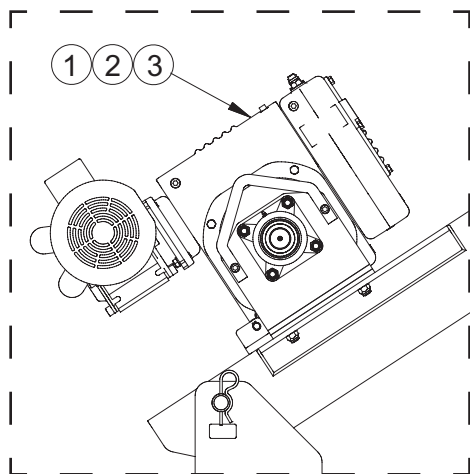
¹ Specify finish of crane when ordering parts.



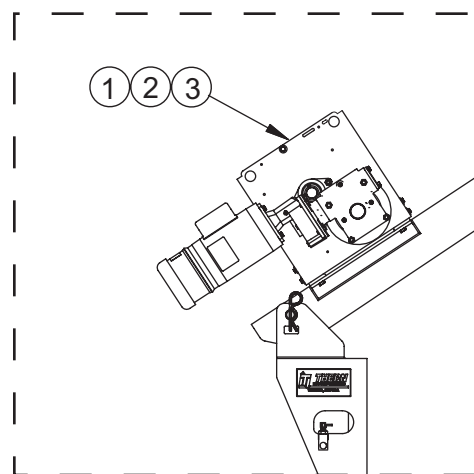
5PT30-M1 Series

5PT30-E2 and 5PT30-E5 Series Winches¹		5PT30-E2		5PT30-E5	
item	description	part number	qty.	part number	qty.
1	NUT HEX NYLK .500-13NC SST	A4330	4	A4330	4
2	CAPSCR HEXHD .500-13NC X 1.500 SST	A3264	4	A3264	4
3 ²	CRANE WINCH	3WG4B-K	1	4WS3M6-K1A1	1

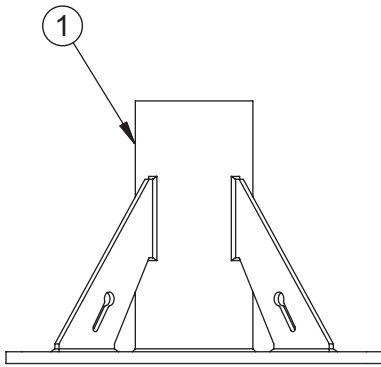
¹ Specify finish of crane when ordering parts.
² Other configurations available, please contact factory.



5PT30-E2 Series



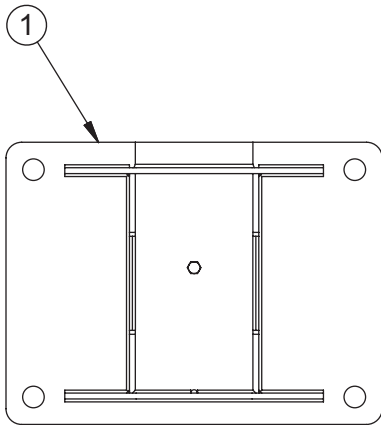
5PT30-E5 Series



**5BP30 Series
Pedestal Base**

Pedestal Base			
5BP30 Series¹		5BP30	
item	description	part number	qty
1	BASE	C4366	1

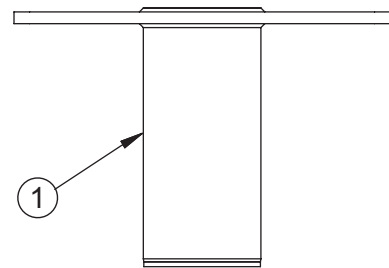
¹ Specify finish of crane when ordering parts.



**5BW30 Series
Wall Base**

Wall Base			
5BW30 Series¹		5BW30	
item	description	part number	qty
1	BASE	C4390	1

¹ Specify finish of crane when ordering parts.



**5BF30 Series
Socket Base**

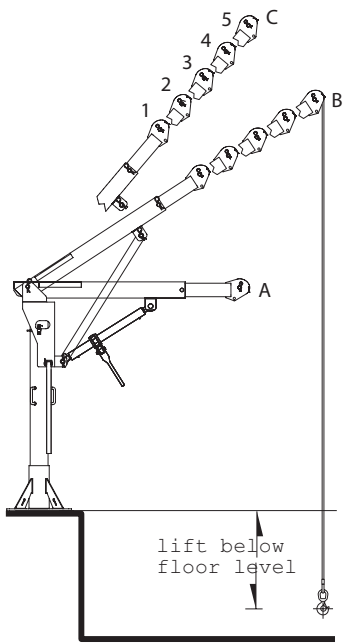
Socket Base			
5BF30 Series¹		5BF30	
item	description	part number	qty
1	BASE	C4389	1

¹ Specify finish of crane when ordering parts.

Series 5PT30 Crane Performance Characteristics

Wire Rope				Load Ratings for 5PT30-M1 and M1X										Lift Below Floor Level*			
Length		Diameter		Position 1		Position 2		Position 3		Position 4		Position 5		Min Below		Max Below	
(ft)	(m)	(in)	(mm)	(lb)	(kg)	(lb)	(kg)	(lb)	(kg)	(lb)	(kg)	(lb)	(kg)	(ft)	(m)	(ft)	(m)
28	9	0.38	10	3000	1360	3000	1360	3000	1360	2700	1124	2400	1088	0	0	8	3
36	11	0.38	10	3000	1360	3000	1360	3000	1360	2700	1124	2400	1088	8	3	16	5
45	14	0.38	10	3000	1360	3000	1360	3000	1360	2700	1124	2400	1088	17	6	25	8
60	19	0.38	10	2800	1270	2800	1270	2800	1270	2700	1124	2400	1088	32	10	40	13
75	23	0.38	10	2600	1179	2600	1179	2600	1179	2600	1179	2400	1088	47	15	55	17

Wire Rope				Load Ratings for 5PT30-E2 and E2X**										Lift Below Floor Level*			
Length		Diameter		Position 1		Position 2		Position 3		Position 4		Position 5		Min Below		Max Below	
(ft)	(m)	(in)	(mm)	(lb)	(kg)	(lb)	(kg)	(lb)	(kg)	(lb)	(kg)	(lb)	(kg)	(ft)	(m)	(ft)	(m)
28	9	0.38	10	3000	1360	3000	1360	3000	1360	2700	1224	2400	1088	0	0	8	3
36	11	0.38	10	3000	1360	3000	1360	3000	1360	2700	1224	2400	1088	8	3	16	5
45	14	0.38	10	3000	1360	3000	1360	3000	1360	2700	1224	2400	1088	17	6	25	8
60	19	0.38	10	3000	1360	3000	1360	3000	1360	2700	1224	2400	1088	32	10	40	13
75	23	0.38	10	3000	1360	3000	1360	3000	1360	2700	1224	2400	1088	47	15	55	17



Positions A and C require models equipped with ratchet jack.



Thern, Incorporated
Corporate Headquarters
& Manufacturing
5712 Industrial Park Road
Winona, MN USA 55987
TF: 1-800-843-7648 P: 1-507-454-2996
Email: info@thern.com
www.thern.com

Thern Europe
Amsterdam Schiphol Tetra
Siriusdreef 17-27, 2132 WT Hoofddrop
The Netherlands
+31-546-898380