

1. DISPENSER MOUNTING

See the reverse side for the mounting instructions and the mounting template.

2. DISPENSER COVER

The cover can be opened with the supplied key that is included in the package. Insert the key into the slot at the top of the cover. Push down and pull forward to open the cover.

3. PAPER ROLL LOADING AND START-UP

For use with 7" wide Genuine Joe paper towels only:

SKU# GJO96007: LoCor Hard Wound Roll Towel (6 roll pack, 600ft, 7")

SKU# GJO96850: LoCor Hard Wound Roll Towel (6 roll pack, 850ft, 7")

Other types of paper are not acceptable.

Paper should be loaded with paper "tail" unwinding from the back of the roll. After the paper roll is loaded correctly into the dispenser, pull the paper "tail" downward and tuck it under the tension roller (Fig. 1). Turn the assist wheel in the clockwise direction until the paper "tail" comes out at the bottom of the dispenser. Close the cover. See Figure 1 and the instruction label inside the dispenser for more information on paper loading.

The dispenser is now ready for dispensing. Simply pull the paper "tail" at the bottom of the dispenser to obtain paper.

4. DIAGNOSTICS

a. If there is no paper "tail" at the bottom of the dispenser, turn the assist wheel in the clockwise direction until the "tail" comes out.

- If there is still no paper "tail" after two rotations of the assist wheel, open the dispenser cover for further examination.
- If the assist wheel gets stuck, do not force it to turn. Open the dispenser cover for further examination.

b. If the dispenser performs poorly (not cutting or only partially cutting paper), open the dispenser cover for further examination:

- Check to ensure that paper roll is loaded correctly
- Check to ensure that the Roll Supports are installed into the correct slots
- Re-load the paper roll: first tear the paper from the roll at the section before the paper enters the mechanism, remove the paper left inside the mechanism (pull the paper out at the bottom of the dispenser). Turn the assist wheel several times to insure that the mechanism is moving smoothly. Next, re-load the paper as instructed in section 4 – Paper Roll Loading and Start-up.

For further assistance, please contact technical dispenser support at (920) 940-8904.

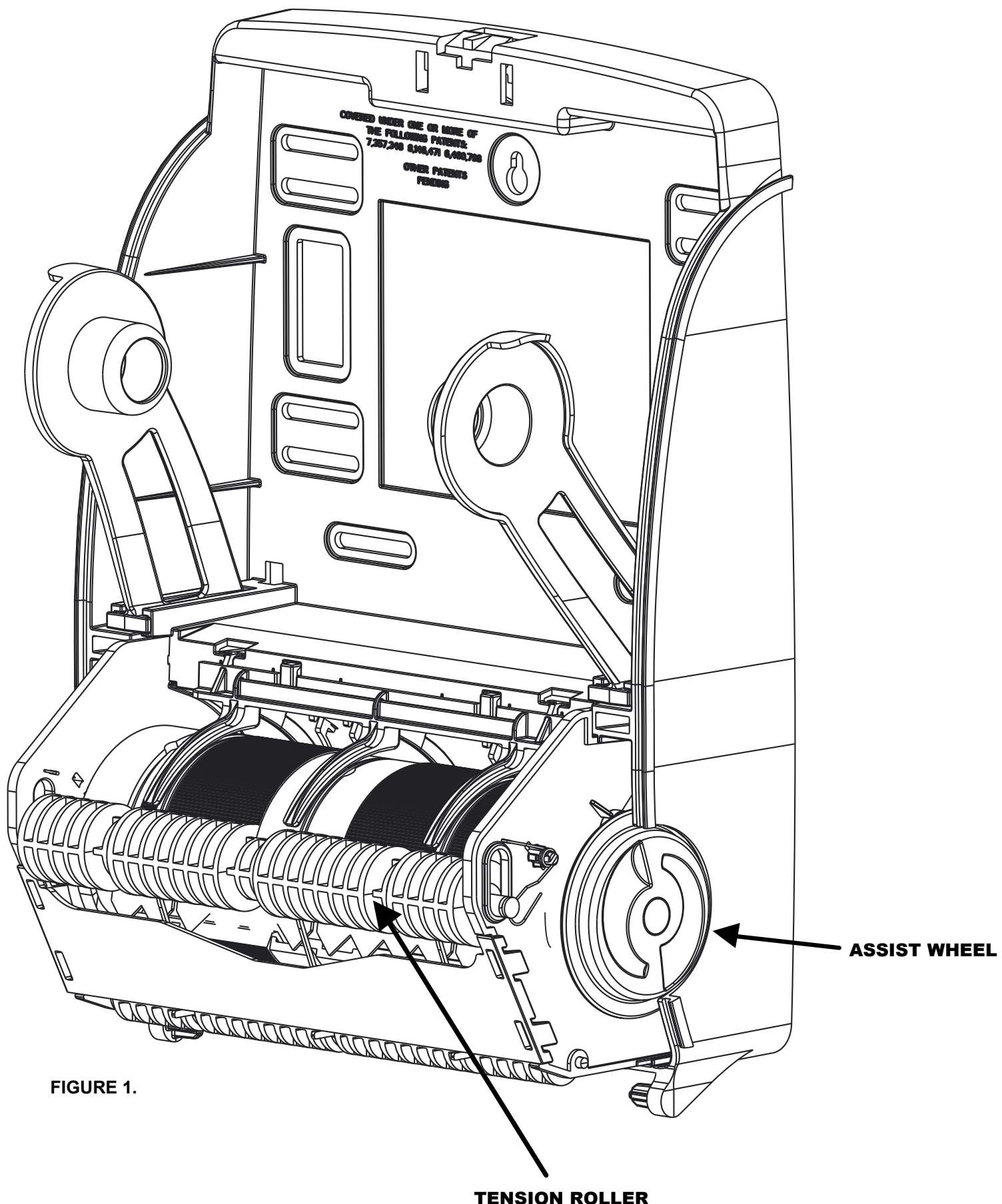
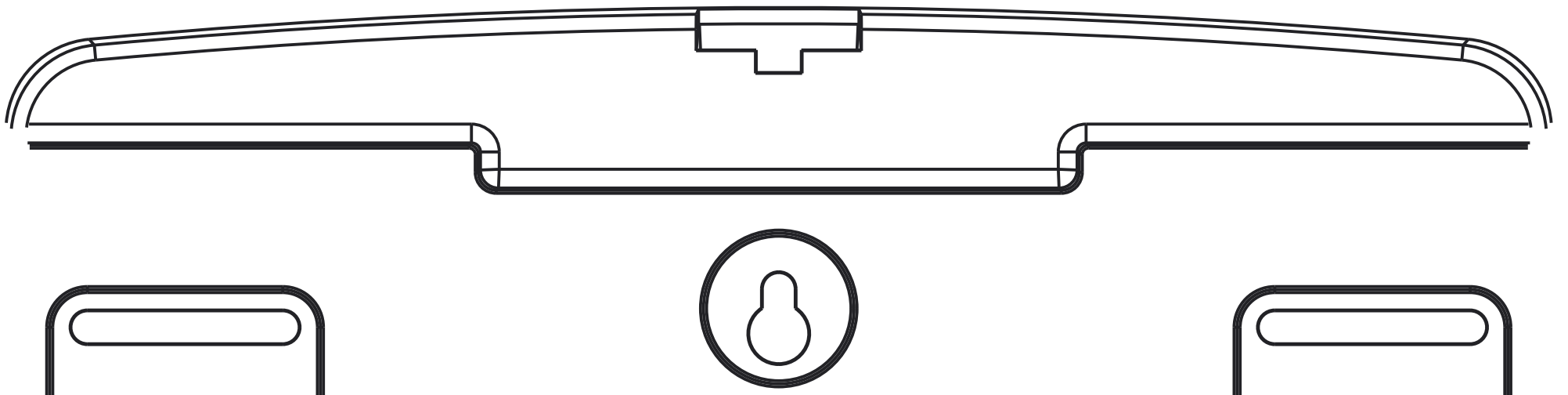


FIGURE 1.



Mounting Template



Mounting Instructions

Tools:

- Screwdriver
- Power Drill with appropriate drill size
- Pencil
- Level and Tape Measure

Step 1

Measure a minimum of **45"** minimum from the floor to the bottom of the dispenser, as marked on template.

Step 2

Place a **level** at the bottom of the dispenser marked on template, level template and tape onto wall. Mark the 4 mounting holes at the hole centers. Remove template and drill 4 pilot holes.

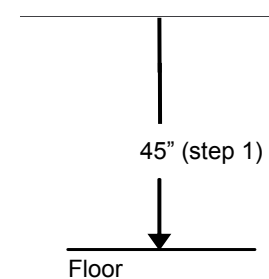
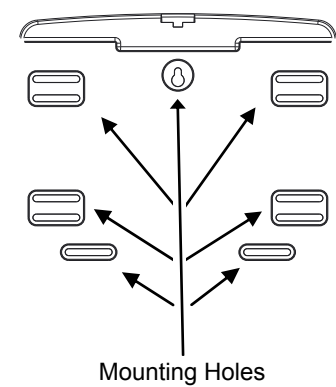
Step 3

Fasten the 2 top screws to the wall, leaving a gap between the screw head and the wall to all allow the dispenser to slide over.

Step 4

Hang the dispenser on the installed screws. Fasten remaining 2 mounting screws. Be sure to securely tighten all screws.

Please use the hardware provided or appropriate hardware for the wall material the dispenser is to be mounted to.



Note: Mount according to ADA Guidelines, installer is responsible for compliance.

