

# Product data sheet

## Characteristics

# EZM1400CB

Main unit, EZ Meter-Pak, 400A, 120/240VAC, 1 phase, 3 wire, 400A Al busbar, 65kA SCCR main breaker, over/under



### Main

Range of product	EZ meter-pak
Product or component type	Meter center main unit
Main type	Main Circuit Breaker
Included Items	Closing plate Circuit-breaker2P 400 A 65 kA

### Complementary

Main rated current	400 A
Bus rated current	400 A
Material	Aluminium busbar
Enclosure material	Steel
[Ue] rated operational voltage	120/240 V AC
Device mounting	Surface
Number of Phases	1 phase in 1 phase out
Service feed location	UG OH
Electrical connection	Lugs 1 AWG 6...300 kcmil aluminium/copper) ground Lugs 1 AWG 1...600 kcmil aluminium/copper) line Lugs 2 AWG 1...250 kcmil aluminium/copper) line Lugs 1 AWG 1...600 kcmil aluminium/copper) neutral Lugs 2 AWG 1...250 kcmil aluminium/copper) neutral
Wiring configuration	3-wire
Height	53.97 in (1370.84 mm)
Width	18.66 in (473.96 mm)
Depth	11.50 in (292.10 mm)

### Environment

Product certifications	UL Listed
Enclosure Rating	NEMA 3R

### Ordering and shipping details

Category	00020 - EZ METER-PAK
Discount Schedule	DE4
GTIN	00785901304630
Nbr. of units in pkg.	1
Package weight(Lbs)	94 lb(US) (42.64 kg)
Returnability	Yes
Country of origin	MX

## Packing Units

Package 1 Height	1.19 ft (0.363 m)
Package 1 width	1.88 ft (0.574 m)
Package 1 Length	4.57 ft (1.392 m)

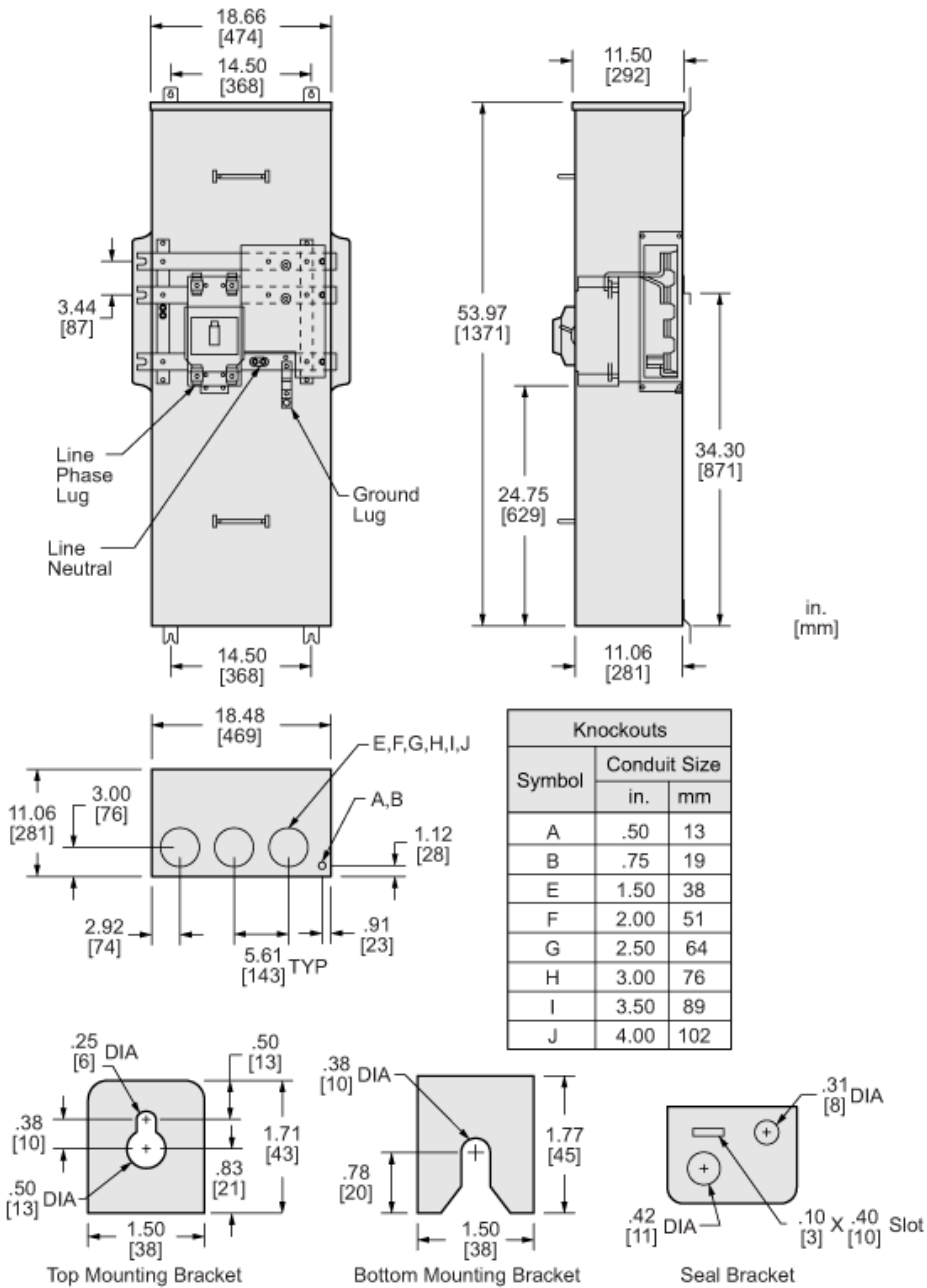
## Offer Sustainability

California proposition 65	WARNING: This product can expose you to chemicals including: Lead and lead compounds, which is known to the State of California to cause cancer and birth defects or other reproductive harm. For more information go to <a href="http://www.P65Warnings.ca.gov">www.P65Warnings.ca.gov</a>
REACH Regulation	<a href="#">REACH Declaration</a>
EU RoHS Directive	Compliant <a href="#">EU RoHS Declaration</a>
Mercury free	Yes
RoHS exemption information	<a href="#">Yes</a>

## Contractual warranty

Warranty	18 months
----------	-----------

Approximate Dimensions



---

Connections and Wiring Diagrams

---

