



BBV5191801

Altivar

VW3A7723, VW3A7724, VW3A7725

	Ω	W	
		40°C / 104°F	
VW3A7723	100	32	ATV12●●●●F1, ATV12H018M2...ATV12HU15M2, ATV12H018M3...ATV12HU15M3, ATV12P037M2...ATV12P075M2, ATV12P037M3...ATV12PU15M3, ATV312H018M2...H075M2, HU11M2, HU15M2 ATV312H018M3...H075M3, HU11M3, HU15M3 ATV312H037N4...H075N4 ATV312HU11N4...HU22N4, ATV312H075S6 ATV312HU15S6, HU22S6
VW3A7724	68	32	ATV12HU22M2, ATV12HU22M3, ATV12PU22M3 ATV312HU22M2, HU22M3, HU30M3
VW3A7725	100	40	ATV312HU30N4, HU40N4, HU40S6

DANGER

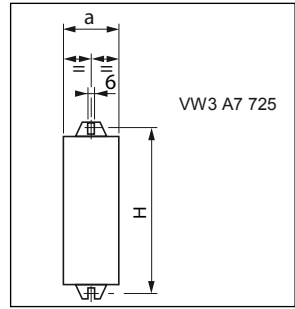
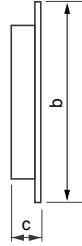
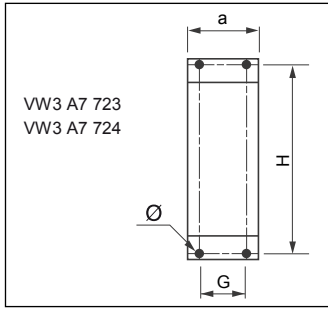
HAZARD OF ELECTRIC SHOCK, EXPLOSION, OR ARC FLASH

- Read and understand this manual and the manuals of the drive before installing this option.
- Installation must be performed by qualified personnel
- The user is responsible for compliance with all international and national electrical code requirements with respect to grounding of all equipment.
- Many parts of this drive, including the printed circuit boards, operate at the line voltage. DO NOT TOUCH. Use only electrically insulated tools.
- DO NOT touch unshielded components or terminal strip screw connections with voltage present.
- DO NOT short across braking resistor terminals or across the DC bus capacitors.
- Before servicing the drive:
 - Disconnect all power, including external control power that may be present.
 - Place a "DO NOT TURN ON" label on all power disconnects.
 - Lock all power disconnects in the open position.
 - WAIT 15 MINUTES to allow the DC bus capacitors to discharge.
 - Measure the voltage of the DC bus between the PA/+ and PC/- terminals to ensure that the voltage is less than 42 Vdc.
 - If the DC bus capacitors do not discharge completely, contact your local Schneider Electric representative. Do not repair or operate the drive.
- Install and close all covers before applying power or starting and stopping the drive.

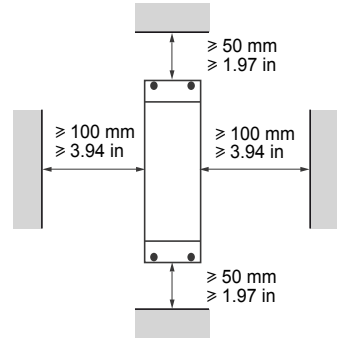
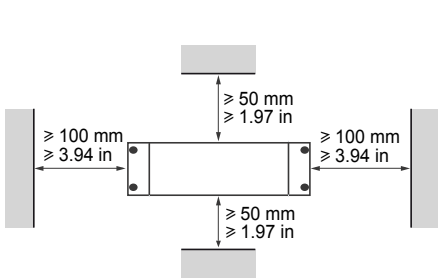
Failure to follow these instructions will result in death or serious injury.

Electrical equipment should be installed, operated, serviced, and maintained only by qualified personnel. No responsibility is assumed by Schneider Electric for any consequences arising out of the use of this product.

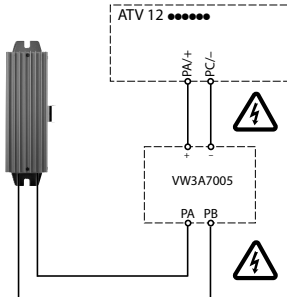
© 2011 Schneider Electric. All Rights Reserved.



	a	b	c	G	H	Ø
	mm (in.)	mm (in.)	mm (in.)	mm (in.)	mm (in.)	mm (in.)
VW3 A7 723 VW3 A7 724	60 (2.36)	170 (6.69)	30 (1.18)	40 (1.57)	154 (6.06)	5 (0.20)
VW3 A7 725	62 (2.44)	212 (8.35)	36 (1.42)	—	195 (7.68)	6 (0.24)



ATV12 → VW3 A7 723
VW3 A7 724



ATV312 → VW3 A7 723
VW3 A7 724
VW3 A7 725

