



Main

Range of product	Altivar
Range compatibility	Altivar Easy 310 Altivar 312 Altivar 61 Altivar 12 Altivar 71 Altivar 312 Solar Altivar 32 Altivar 31C
Product compatibility	ATV31C018M2 ATV31C037M2 ATV31C037N4 ATV31C055M2 ATV31C055N4 ATV31C075M2 ATV31C075N4 ATV31CU11M2 ATV31CU11N4 ATV31CU15M2 ATV31CU15N4 ATV31CU22N4 Variable speed drive ATV310 1.5 kW Variable speed drive ATV310 2.2 kW ATV31CU30N4 ATV31CU40N4 Variable speed drive ATV310 3 kW Variable speed drive ATV310 4 kW ATV12H018F1 ATV12H018M2 ATV12H018M3 ATV12H037F1 ATV12H037M2 ATV12H037M3 ATV12H055M2 ATV12H075F1 ATV12H075M2 ATV12H075M3 ATV12HU15M2 ATV12HU15M3 ATV12P037F1 ATV12P037M2 ATV12P037M3 ATV12P055M2 ATV12P075M2 ATV12P075M3 ATV12PU15M3 ATV312H018M2 ATV312H018M3 ATV312H037M2 ATV312H037M3 ATV312H037N4 ATV312H055M2 ATV312H055M3 ATV312H055N4 ATV312H075M2 ATV312H075M3 ATV312H075N4 ATV312HU11M2 ATV312HU11M3 ATV312HU11N4 ATV312HU15M2 ATV312HU15M3 ATV312HU15N4 ATV312HU22N4 ATV312HU30N4 ATV312HU40N4 ATV32H018M2 ATV32H037M2 ATV32H037N4 ATV32H055M2 ATV32H055N4 ATV32H075M2 ATV32H075N4 ATV32HU11M2 ATV32HU11N4 ATV32HU15M2 ATV32HU15N4 ATV32HU22N4 ATV32HU30N4 ATV32HU40N4 ATV32HU40N4

Ohmic value	100 Ohm
-------------	---------

Complementary

Electrical connection	Terminal <= 1.5 mm ² / AWG 16 temperature control switch Terminal <= 4 mm ² / AWG 28 drive
Protection type	Thermal protection via drive or temperature control switch at 120 °C
[Ue] rated operational voltage	24 V DC 0.1 A 250 V AC 1 A
Temperature controlled switch contact resistance	60 µOhm
Net Weight	4.19 lb(US) (1.9 kg)

Environment

Ambient air temperature for operation	32...122 °F (0...50 °C)
Ambient air temperature for storage	-13...158 °F (-25...70 °C)
IP degree of protection	IP20

Ordering and shipping details

Category	18297 - LEXIUM 32 DRIVES ACCESSORIES
Discount Schedule	PC51
GTIN	00785901684893
Nbr. of units in pkg.	1
Package weight(Lbs)	4.34 lb(US) (1.97 kg)
Returnability	Yes
Country of origin	DE

Packing Units

Unit Type of Package 1	PCE
Package 1 Height	8.11 in (20.6 cm)
Package 1 width	8.43 in (21.4 cm)
Package 1 Length	15.28 in (38.8 cm)

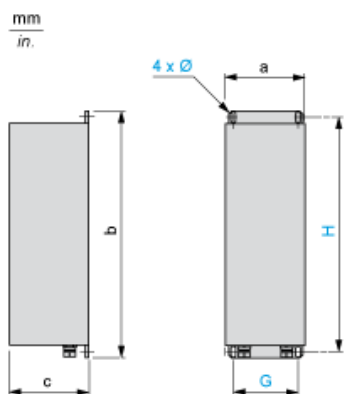
Offer Sustainability

California proposition 65	WARNING: This product can expose you to chemicals including: Lead and lead compounds, which is known to the State of California to cause cancer and birth defects or other reproductive harm. For more information go to www.P65Warnings.ca.gov
REACH Regulation	REACH Declaration
REACH free of SVHC	Yes
EU RoHS Directive	Pro-active compliance (Product out of EU RoHS legal scope) EU RoHS Declaration
Toxic heavy metal free	Yes
Mercury free	Yes
RoHS exemption information	Yes
China RoHS Regulation	China RoHS Declaration

Contractual warranty

Warranty	18 months
----------	-----------

Dimensions



Dimensions in mm

a	b	c	G	H	Ø
95	293	95	70	275	6 x 12

Dimensions in in.

a	b	c	G	H	Ø
3.74	11.53	3.74	2.75	10.82	0.24 X 0.47

Clearance

