

Installation Instructions



LED 4-3/8" Low Profile Mount Strobe Lights

Horizontal:

8891900, 8891901, 8891902, 8891903, 8891904

Vertical:

8891910, 8891911, 8891912, 8891913, 8891914

RED: To +VDC (fuse @ 2A)
BLACK: To Chassis Ground
YELLOW: Synchronization: Connect YELLOW wires of all heads together (all heads must be set at the same pattern) Simultaneous or Alternating Flash: 1. Apply +VDC to RED and YELLOW wires simultaneously to enter grouping; lighthouse will display short (single or double) flashes: -Single flash = Group 1 -Double flash = Group 2 2. Momentarily apply +VDC to YELLOW wire to change groups: -Heads in the same group flash together. -Group 1 heads alternate with group 2 heads. Flash Patterns: Momentarily apply +VDC to YELLOW wire: -Once for next pattern. -Quickly three times for pattern 1

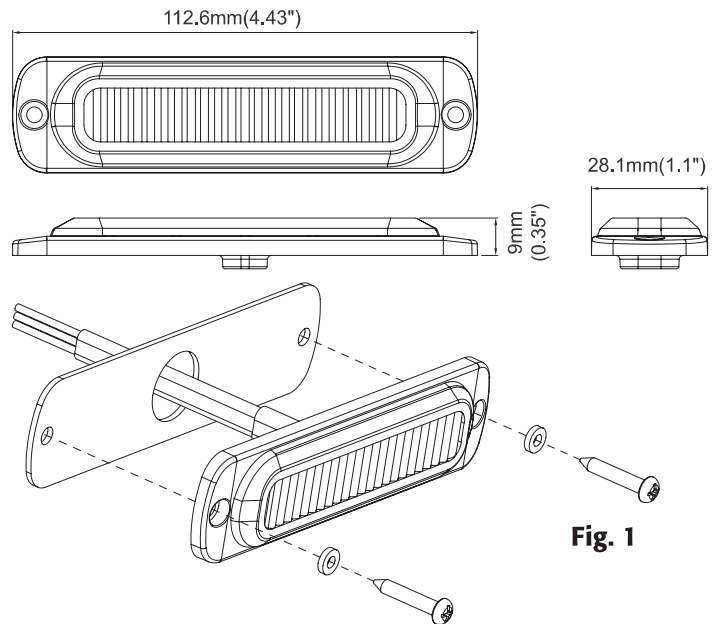
VOLTS: Multi-Voltage (12-24), 1 Amp @ 12 Volts

Flash Pattern	Description
1	Random
2	Single (split)
3	Double (split)
4	Quad (split)
5	Quint (split)
6	Mega (split)
7	Ultra (split)
8	Single-Quad (split)
9	Single H/L (split)
10	Single (all)

Flash Pattern	Description
11	Double (all)
12	Quad (all)
13	Quint (all)
14	Mega (all)
15	Ultra (all)
16	Single-Quad (all)
17	Single H/L (all)
18	Steady (half)
19	Steady (all)

Split = Left alternate right
 All = All LEDs on

NOTE
 The strobes **MUST** be mounted in correct orientation to achieve SAE J595 class 1 rating.
 *Horizontal mount shown in Fig. 1.



WARNING
 Do not look directly into LEDs while in operation; may cause momentary blindness and/or eye damage

WARRANTY
 Buyers Products Co. warrants all truck/trailer hardware manufactured or distributed by it, to be free from defects in material and workmanship for a period of five years from date of shipment. Parts must be properly installed and used under normal conditions. Any product which has been altered, including modification, misuse, accident or lack of maintenance will not be considered under warranty. Normal wear is excluded. The sole responsibility of Buyers Products Co. under this warranty is limited to repairing or replacing any part or parts which are returned, prepaid, and are found to be defective by Buyers Products Co. Authorization from Buyers Products Co. must be obtained before returning any part. No charges for transportation or labor performed on Buyers' products will be allowed under this warranty.