

Installation Instructions

8891800 Series LED Strobe Lights

(8891800, 8891801, 8891802, 8891803, 8891804)

WARNING

Do not look directly into LEDs while in operation; this may cause momentary blindness and/or eye damage.



FP#	Flash Patterns
0	Random
1	Single (split)
2	Double (split)
3	Quad (split)
4	Quint (split)
5	Mega (split)
6	Ultra (split)
7	Single-Quad (split)
8	Single H/L (split)
9	Single (all)

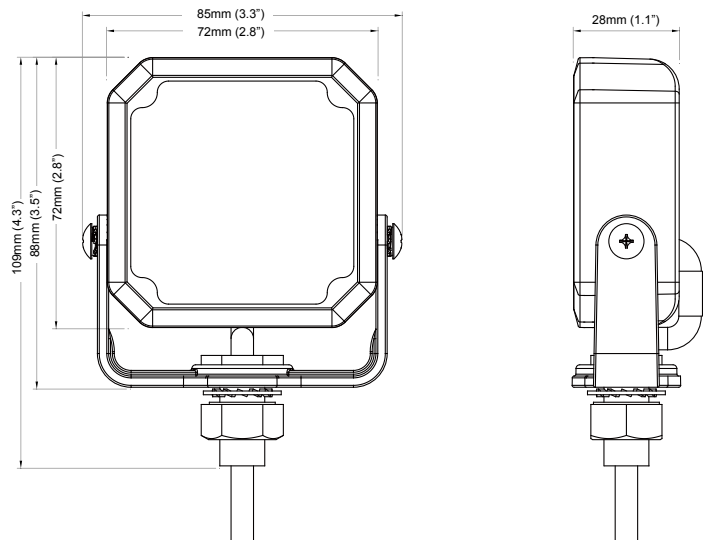
FP#	Flash Patterns
10	Double (all)
11	Quad (all)
12	Quint (all)
13	Mega (all)
14	Ultra (all)
15	Single-Quad (all)
16	Single H/L (all)
17	Steady (ca)
18	Steady 4 (all)

Note: This unit is not factory set to FP#0

Wiring

RED: To +VDC (fuse @ 3A)
BLACK: To Chassis Ground
WHITE: For Steady Burn, apply +VDC
YELLOW: Synchronization: Connect YELLOW wires of all heads together (all heads must be set at the same pattern) Simultaneous or Alternating Flash: 1. Apply +VDC to RED and YELLOW wires simultaneously to enter grouping; lighthead will display short (single or double) flashes: -Single flash = Group 1 -Double flash = Group 2 2. Momentarily apply +VDC to YELLOW wire to change groups: -Heads in the same group flash together. -Group 1 heads alternate with group 2 heads. Flash Patterns: Momentarily apply +VDC to YELLOW wire: -Once for next pattern. -Quickly three times for pattern 0.

VOLTS: 12-24 VDC, .55 Amps



WARRANTY

Buyers Products Co. warrants all truck/trailer hardware manufactured or distributed by it, to be free from defects in material and workmanship for a period of one year from date of shipment. Parts must be properly installed and used under normal conditions. Any product which has been altered, including modification, misuse, accident or lack of maintenance will not be considered under warranty. Normal wear is excluded. The sole responsibility of Buyers Products Co. under this warranty is limited to repairing or replacing any part or parts which are returned, prepaid, and are found to be defective by Buyers Products Co. Authorization from Buyers Products Co. must be obtained before returning any part. No charges for transportation or labor performed on Buyers' products will be allowed under this warranty.