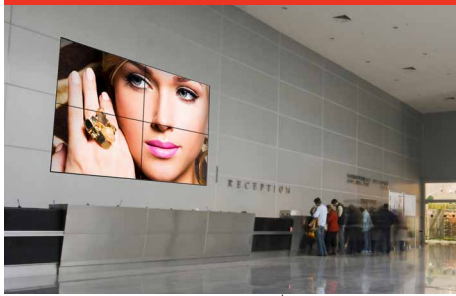


DS-VW795-QR



	<b>Mounting Pattern</b> 200 x 200 up to 600 x 600mm		<b>Max Load</b> 225lb (102kg)
--	---	--	-------------------------------------



**SMARTMOUNT.**

# Full Service Video Wall Mount with Quick Release

FOR 65" TO 98" DISPLAYS

The SmartMount® Full Service Video Wall Mount with Quick Release offers an easy to install and service solution for both landscape and portrait displays. Designed for quick service access in recessed video wall applications, the DS-VW795-QR provides versatility for integrators. With the quick-release functionality, users have the ability to articulate the display from the wall by gently pressing on the front of the display. Featuring tool-less micro-adjustment at eight points, the mounts can overcome uneven walls to create a seamless video wall display. In addition, custom wall plate spacers eliminate the guesswork and on-site calculations, reducing installation time and cost.

- Quick release can be disabled with a locking screw to prevent unintentional pop outs
- Accommodates displays in landscape and portrait orientation
- Modular mount for unlimited video wall display configurations
- Integrated cable management tie-backs make display-to-display cabling simple



**REUSABLE CUSTOM WALL SPACERS\***

Eliminate guesswork and on-site installation calculations

\*Sold separately



**NO TOOLS REQUIRED FOR MICRO-ADJUSTMENT**

Simple, tool-less micro-adjustments at 8 points seamlessly align the displays



**QUICK RELEASE MECHANISM**

Provides convenient display access in recessed applications

**ADJUSTABLE CARRIAGE EXTENSION FORCE**

Adjustable to the weight of the display, allowing the quick release mechanism to activate with gentle force



Full Service Access



Eliminate the guesswork during installation with the Peerless-AV® Video Wall Locator app.



DS-VW795-QR SmartMount® Full Service Video Wall Mount with Quick Release for 65"-98" Displays

**Product Specifications**

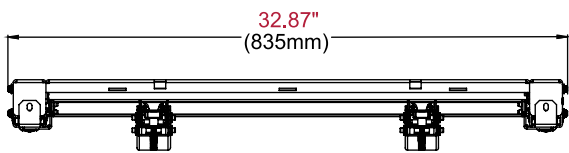
	DIMENSIONS (W X H X D)	PRODUCT WEIGHT	LOAD CAPACITY	FINISH	AVAILABLE COLORS
DS-VW795-QR	32.87" x 27.58" x 3.68" - 4.43" (835 x 700 x 93-113mm)	40lb (18.1kg)	225lb (102kg)	Powder Coat	Black

**Package Specifications**

	PACKAGE SIZE (W x H x D)	PACKAGE SHIP WEIGHT	PACKAGE UPC CODE	PACKAGE CONTENTS	UNITS IN PACKAGE
DS-VW795-QR	34.00" x 28.00" x 3.75" (864 x 711 x 95mm)	43lb (19.5kg)	735029301455	Wall Mount Assembly, Mounting Attachment Rails & Fasteners	1

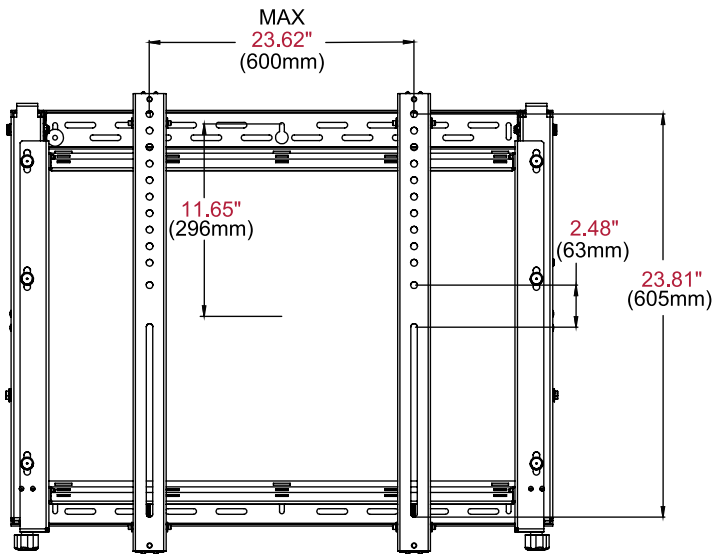
**Accessories**

- ACC-V900X: Adaptor for VESA® 800 x 400 and 900 x 600mm Mounting Patterns
- ACC-DHK: Display Handling Kit
- ACC-DHP6: Display Handling Kit Replacement Pads - 6pk

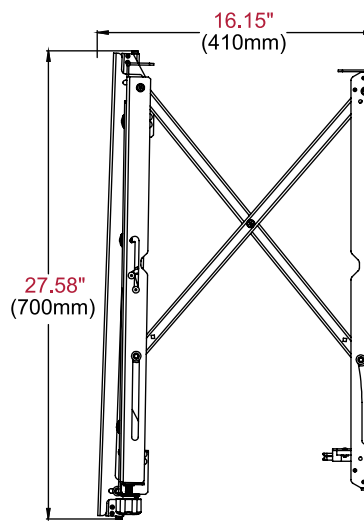


**TOP VIEW**

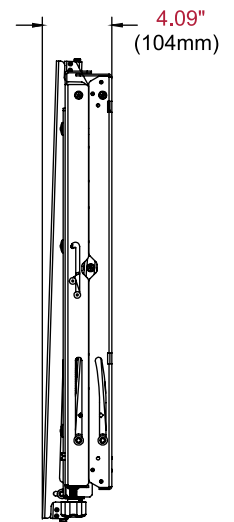
All dimensions = inch (mm)



**FRONT VIEW**



**SIDE VIEW EXTENDED**



**SIDE VIEW COLLAPSED**

**Architect Specifications**

The SmartMount® Full Service Video Wall Mount with Quick Release shall be a Peerless-AV model DS-VW795-QR and shall be located where indicated on the plans. Assembly and installation shall be done according to instructions provided by the manufacturer.

Visit [peerless-av.com](http://peerless-av.com) to see the complete line of AV solutions from Peerless-AV, including outdoor displays, wireless, kiosks, digital audio, display mounts, projector mounts, carts/stands, and a full assortment of accessories.

**Peerless-AV**  
2300 White Oak Circle  
Aurora, IL 60502 USA  
  
**(800) 865-2112**  
**(630) 375-5100**  
**Fax: (800) 359-6500**

**Peerless-AV EMEA**  
Unit 3 Watford Interchange  
Colonial Way, Watford  
Herts, WD24 4WP  
United Kingdom  
**+44 (0) 1923 200100**  
**Fax: +44 (0) 1923 200101**

**Peerless-AV Latin America**  
Ave de las Industrias 413  
Parque Industrial Escobedo  
Escobedo, N.L.,  
Mexico 66062  
**+52 (81) 8384-8300**  
**Fax: +52 (81) 8384-8360**

