

Mobile Self-Leveling Dispensers

Open Tubular Style - Heated

Models 8200, 8205, 8206, 8207, 8208, 8209, 8210, 8211, 8212
8300, 8305, 8306, 8307, 8308, 8309, 8310
8400, 8405, 8406, 8407, 8408, 8409, 8410



Model 8209

Economical Tubular Frame Design

- High-strength easy-to-clean stainless steel tubular frame
- Easy field adjustment for plate height, no tools required
- Easy-Glide™ design provides quiet, non-stick operation
- 4" Lake-Glide® casters - all swivel, 2 each with brake
- Each heated dispenser features its own thermostatic control
- Height adjustment springs detach and attach from inside the dispenser; no need to remove dispenser from mobile unit



Specifications

Mobile Frame: Mobile frame shall be of 18-gauge wall stainless steel 1" tubing. Tubing frame shall be of "U-frame" design with bottom tie bars for extra strength. Units shall have 18-gauge top and bottom shelves to provide dispenser tube stability. Top and bottom shelves shall be bolted to tubular frame. Casters shall be 4" (102 mm) diameter extra-load swivel stem type (two with locking brake). Units shall be NSF listed.

Dispenser Tubes: Dispenser tubes shall be of welded stainless steel construction and shall drop into mobile unit top and bottom shelf openings. Dispensers shall be fully enclosed in 22-gauge stainless steel, shall hang from top shelf opening by an 18-gauge flange ring, and feature three each 22-gauge vertical side supports welded to 20-gauge bottom plate. Self-leveling dish carriage shall be of welded stainless steel construction and shall travel vertically in dispenser tube with nylon guides for smooth operation. Carriage shall have 22-gauge removable dish platform. Dispensers shall feature flange mounted perimeter extension springs, which are detachable from the dish carriage without tools to provide adjustment for different weight dishes. Each dispenser shall have a vertical stacking capacity of 25" (635 mm).

Heating System: Unit shall be 120 VAC 60 Hz and shall have 6' (1829 mm) power supply cord with 5-15P (5-20P on Models 8409 and 8410) NEMA plug for 120 VAC. Mobile frame shall have electrical junction box mounted under bottom shelf, with hard wired power cable to each dispenser. Dispenser tubes shall have a circular bottom mounted 300 or 450 watt heater element to provide convection heat. Heating system shall feature thermostatic control in a tamper protective location with safe high-end shut off. Control shall have Infinite settings between low and high temperature cut-outs. Thermostat shall be field adjustable for average interior air temperature between 100°F (38°C) and 175°F (79°C) at middle adjustable thermostatic setting. On-off switch and power indicator light shall be mounted on top flange of dispenser. Average dish temperature rise of 40°F (22°C) above ambient shall be achieved within one hour of initial heating cycle at middle adjustable thermostatic setting. Mobile tubular frame and dispenser tubes shall be UL listed.

Spec. #

A/A #

Lakeside Manufacturing, Inc.

4900 West Electric Avenue • West Milwaukee, WI 53219 U.S.A.

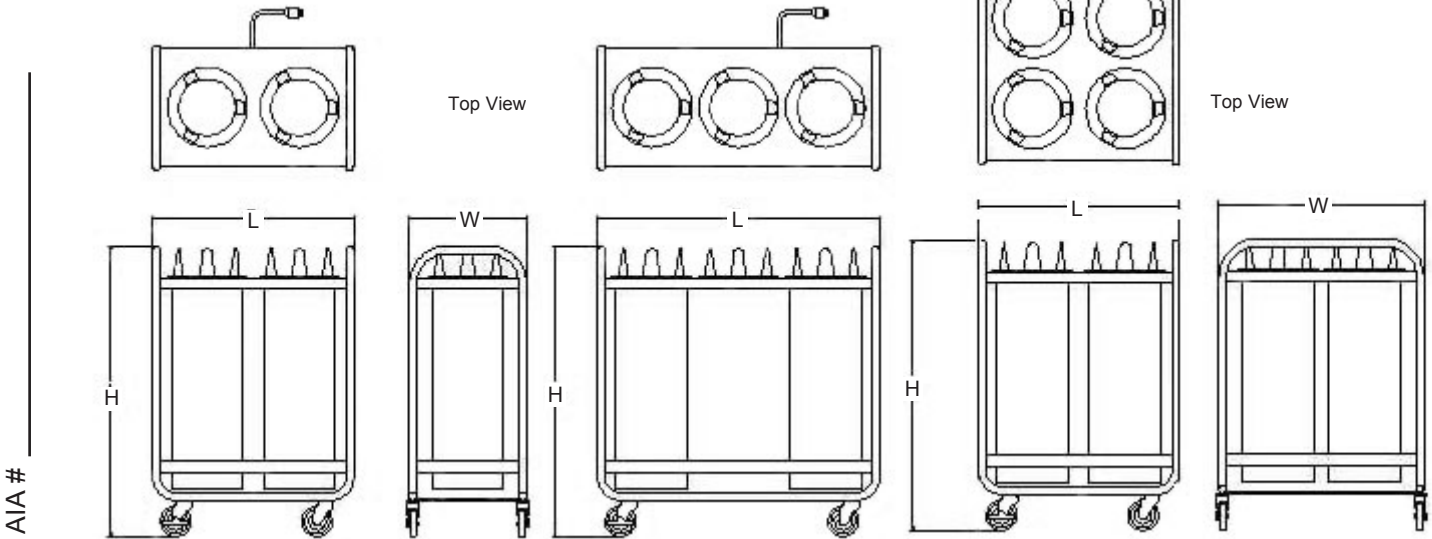
800-558-8565 • 414-902-6400 • Fax 414-902-6446 • info@eLakeside.com • www.eLakesideFoodservice.com

Mobile Self-Leveling Dispensers

Open Tubular Style - Heated

Models

8200, 8205, 8206, 8207, 8208, 8209, 8210, 8211, 8212
 8300, 8305, 8306, 8307, 8308, 8309, 8310
 8400, 8405, 8406, 8407, 8408, 8409, 8410



Model Information

Two Stack Models

Three Stack Models

Model	Accommodates Plate Size	Dimensions			Electrical		Ship Weight
		W	L	H	Watts	Amps	
8200	Up to 5" (127)	17 ³ / ₄ " (451)	35 ¹ / ₂ " 902	38 ⁵ / ₁₆ " 989	600	5.0	73 (33.1 kg)
8205	5-1/8" to 5-3/4" (130 to 146)	17 ³ / ₄ " (451)	35 ¹ / ₂ " 902	38 ⁵ / ₁₆ " 989	600	5.0	75 (34.0 kg)
8206	5-7/8" to 6-1/2" (149 to 165)	17 ³ / ₄ " (451)	35 ¹ / ₂ " 902	38 ⁵ / ₁₆ " 989	600	5.0	78 (35.4 kg)
8207	6-5/8" to 7-1/4" (168 to 184)	17 ³ / ₄ " (451)	35 ¹ / ₂ " 902	38 ⁵ / ₁₆ " 989	600	5.0	79 (35.8 kg)
8208	7-3/8" to 8-1/8" (187 to 206)	17 ³ / ₄ " (451)	35 ¹ / ₂ " 902	38 ⁵ / ₁₆ " 989	600	5.0	86 (39.0 kg)
8209	8-1/4" to 9-1/8" (210 to 232)	17 ³ / ₄ " (451)	35 ¹ / ₂ " 902	38 ⁵ / ₁₆ " 989	900	7.5	90 (40.8 kg)
8210	9-1/4" to 10-1/8" (235 to 257)	17 ³ / ₄ " (451)	31" 787	38 ⁵ / ₁₆ " 989	900	7.5	93 (42.2 kg)
8211	10-1/4" to 11" (260 to 279)	17 ³ / ₄ " (451)	35 ¹ / ₂ " 902	38 ⁵ / ₁₆ " 989	900	7.5	95 (42.8 kg)
8212	11-1/4" to 12-1/4" (286 to 311)	17 ³ / ₄ " (451)	35 ¹ / ₂ " 902	38 ⁵ / ₁₆ " 989	900	7.5	96 (43.6 kg)

Model	Accommodates Plate Size	Dimensions			Electrical		Ship Weight
		W	L	H	Watts	Amps	
8300	Up to 5" (127)	17 ³ / ₄ " (451)	52 ¹ / ₂ " 1334	38 ⁵ / ₁₆ " 989	900	7.5	101 (45.8 kg)
8305	5-1/8" to 5-3/4" (130 to 146)	17 ³ / ₄ " (451)	52 ¹ / ₂ " 1334	38 ⁵ / ₁₆ " 989	900	7.5	104 (47.2 kg)
8306	5-7/8" to 6-1/2" (149 to 165)	17 ³ / ₄ " (451)	52 ¹ / ₂ " 1334	38 ⁵ / ₁₆ " 989	900	7.5	106 (48.1 kg)
8307	6-5/8" to 7-1/4" (168 to 184)	17 ³ / ₄ " (451)	52 ¹ / ₂ " 1334	38 ⁵ / ₁₆ " 989	900	7.5	109 (49.4 kg)
8308	7-3/8" to 8-1/8" (187 to 206)	17 ³ / ₄ " (451)	52 ¹ / ₂ " 1334	38 ⁵ / ₁₆ " 989	900	7.5	115 (52.1 kg)
8309	8-1/4" to 9-1/8" (210 to 232)	17 ³ / ₄ " (451)	52 ¹ / ₂ " 1334	38 ⁵ / ₁₆ " 989	1350	11.3	120 (54.4 kg)
8310	9-1/4" to 10-1/8" (235 to 257)	17 ³ / ₄ " (451)	52 ¹ / ₂ " 1334	38 ⁵ / ₁₆ " 989	1350	11.3	124 (56.3 kg)

Four Stack Models

Model	Accommodates Plate Size	Dimensions			Electrical		Ship Weight
		W	L	H	Watts	Amps	
8400	Up to 5" (127)	31" (787)	31" 787	38 ⁵ / ₁₆ " 989	1200	10.0	115 (52.1 kg)
8405	5-1/8" to 5-3/4" (130 to 146)	31" (787)	31" 787	38 ⁵ / ₁₆ " 989	1200	10.0	120 (54.4 kg)
8406	5-7/8" to 6-1/2" (149 to 165)	31" (787)	31" 787	38 ⁵ / ₁₆ " 989	1200	10.0	121 (54.9 kg)
8407	6-5/8" to 7-1/4" (168 to 184)	31" (787)	31" 787	38 ⁵ / ₁₆ " 989	1200	10.0	122 (55.3 kg)
8408	7-3/8" to 8-1/8" (187 to 206)	31" (787)	31" 787	38 ⁵ / ₁₆ " 989	1200	10.0	146 (66.2 kg)
8409	8-1/4" to 9-1/8" (210 to 232)	31" (787)	31" 787	38 ⁵ / ₁₆ " 989	1800	15.0	152 (69.0 kg)
8410	9-1/4" to 10-1/8" (235 to 257)	31" (787)	31" 787	38 ⁵ / ₁₆ " 989	1800	15.0	157 (71.2 kg)

Measurements in () denote metric millimeters, unless otherwise specified.

Options:

- Stainless steel dispenser covers
- 208/240 VAC 60Hz
- 220 VAC 50 Hz
- Round corner bumpers (set of four)



Lakeside Manufacturing, Inc.

4900 West Electric Avenue • West Milwaukee, WI 53219 U.S.A.
 800-558-8565 • 414-902-6400 • Fax 414-902-6446
 info@eLakeside.com • www.eLakesideFoodservice.com