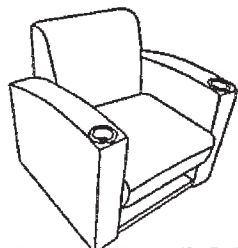


Model 7701 Interplay Chair

Parts List

A
Chair
1 Unit



B
Tablet Arm
1 Unit



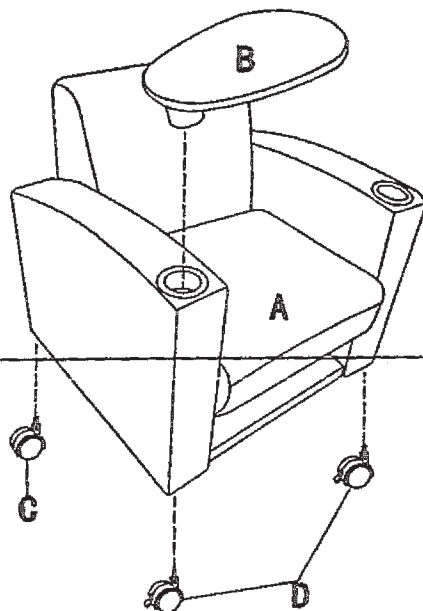
C
Casters Normal
2 Units



D
Casters Brake
2 Units



E
Wrench
1 Unit



Assembly Instructions

Tool Needed: Allen Wrench

- Step 1: Attach the Casters Normal(C) to the Chair(A) by carefully laying the Chair(A) onto its back and inserting the Casters Normal(C) into the corresponding holes on the bottom of the chair using the Wrench(E).
- Step 2: Attach the Casters Brake(D) to the Chair(A) by carefully laying the Chair(A) onto its back and inserting the Casters Brake(D) into the corresponding holes on the bottom of the chair using the Wrench(E).
- Step 3: Return Chair(A) to upright position.
- Step 4: Insert Tablet Arm(B) into either cup.

Assembly Notes:

During assembly, hand tighten screw only. When all screws are in place, you may then tighten all screws completely.

CAUTION:

1. Do not use this chair as a step ladder.
2. Check for loose screws and tighten them every 6 months.