



Main

Range of product	Altivar Lexium
Product or component type	Braking resistor
Range compatibility	Lexium 28 Lexium 52 Lexium 05 Lexium 32 Altivar Machine ATV320 Lexium 15 Altivar 32 Lexium 32i Easy Lexium 16
Product compatibility	ATV32HU55N4 ATV32HU75N4 Variable speed drive ATV320 5.5 kW, 380...500 V, three phase Variable speed drive ATV320 7.5 kW, 380...500 V, three phase Variable speed drive ATV320 5.5 kW, 525...600 V, three phase Variable speed drive ATV320 7.5 kW, 525...600 V, three phase Motion servo drive LXM16D 0.75 kW, 200...230 V, single phase Motion servo drive LXM16D 1 kW, 200...230 V, single phase Motion servo drive LXM16D 1.5 kW, 200...230 V, single phase
Ohmic value	27 Ohm
Continuous power	400 W
Average power available	100 W 122 °F (50 °C)
Cable length	2.46 ft (0.75 m)

Complementary

Energy peak	10500 J 480 V 11400 J 400 V 18100 J 230 V 25500 J 115 V
Protection type	Thermal protection via the servo drive
Net Weight	3.13 lb(US) (1.42 kg)

Environment

Ambient air temperature for operation	32...122 °F (0...50 °C)
Ambient air temperature for storage	-13...185 °F (-25...85 °C)
IP degree of protection	IP65
IP degree of protection	IP65

Ordering and shipping details

Category	18263 - LEXIUM 32 ACCESSORIES
Discount Schedule	PC51
GTIN	00785901489504
Nbr. of units in pkg.	1
Package weight(Lbs)	3.12 lb(US) (1.42 kg)

Returnability	No
Country of origin	DE

Packing Units

Unit Type of Package 1	PCE
Package 1 Height	1.73 in (4.4 cm)
Package 1 width	15.51 in (39.4 cm)
Package 1 Length	4.96 in (12.6 cm)
Unit Type of Package 2	S04
Number of Units in Package 2	6
Package 2 Weight	20.39 lb(US) (9.249 kg)
Package 2 Height	11.81 in (30 cm)
Package 2 width	15.75 in (40 cm)
Package 2 Length	23.62 in (60 cm)
Unit Type of Package 3	P06
Number of Units in Package 3	24
Package 3 Weight	106.24 lb(US) (48.188 kg)
Package 3 Height	30.31 in (77 cm)
Package 3 width	31.50 in (80 cm)
Package 3 Length	23.62 in (60 cm)

Offer Sustainability

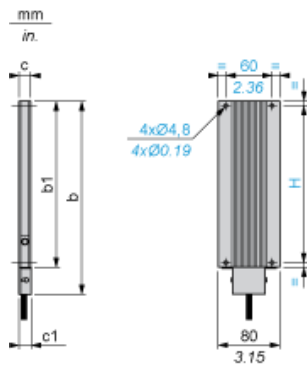
California proposition 65	WARNING: This product can expose you to chemicals including: Lead and lead compounds, which is known to the State of California to cause cancer and birth defects or other reproductive harm. For more information go to www.P65Warnings.ca.gov
REACH free of SVHC	Yes
EU RoHS Directive	Pro-active compliance (Product out of EU RoHS legal scope) EU RoHS Declaration
Mercury free	Yes
RoHS exemption information	Yes
China RoHS Regulation	China RoHS Declaration
PVC free	Yes

Contractual warranty

Warranty	18 months
----------	-----------

Braking Resistor

Dimensions



Dimensions in mm

b	b1	c	c1	H
257	216	30	–	204

Dimensions in in.

b	b1	c	c1	H
10.11	8.50	1.18	–	8.03