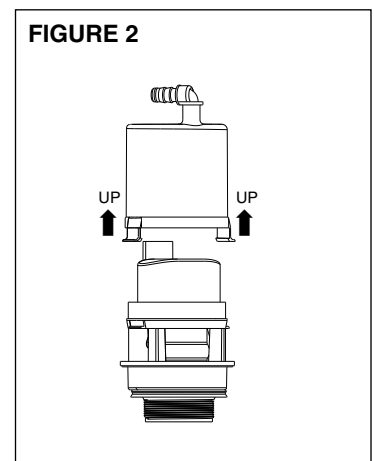
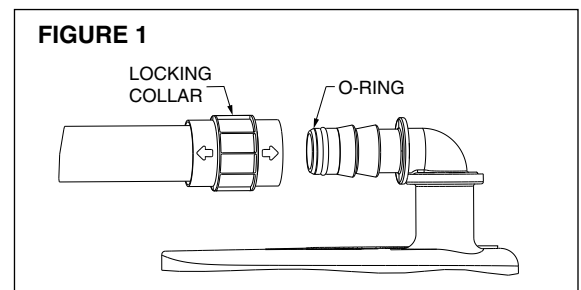
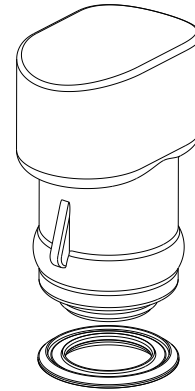


FLUSH VALVE FLOAT with SEAL

**PART NUMBER:
7381549-201.0070A**

REMOVAL:

- Turn off the water supply and flush the toilet to empty the tank
- Remove the tank cover
- Open the cover on the battery compartment and disconnect the battery cable from the battery terminal
- Pull the locking collar off of the hose assembly using a twisting motion then remove the hose from the end of the actuator
- Make sure the O-ring is reinstalled on the barb at the end of the actuator **(See Figure 1)**
- Remove the refill tube clip from the flush valve body
- Grasp the tabs on each side of the flush valve body and pull in an upward motion **(See Figure 2)**
- Remove the float with seal from the valve



FLUSH VALVE FLOAT with SEAL

PART NUMBER:
7381549-201.0070A

RE-INSTALL:

- Install the new float with seal in the flush valve body
Orient tabs on float to face tabs on tower body
(See Figure 3)
- Replace the flush valve cover until it clicks in place
- Slide the hose on the end of the flush valve body covering 1 barb only
- Use the locking collar to finish pushing the hose over the flush valve body until it stops
- Re-install the refill tube clip to the flush valve body
(See Figure 4)
- Reconnect the battery cable to the battery terminal, replace the battery cover and tank cover
- Turn on the water supply
- Once refilled, flush the toilet to confirm accurate operation

FIGURE 3

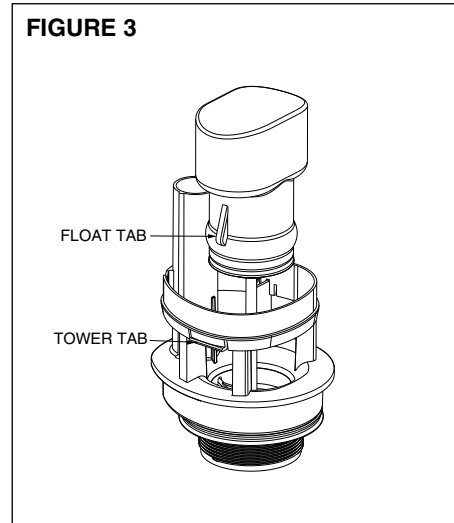


FIGURE 4

