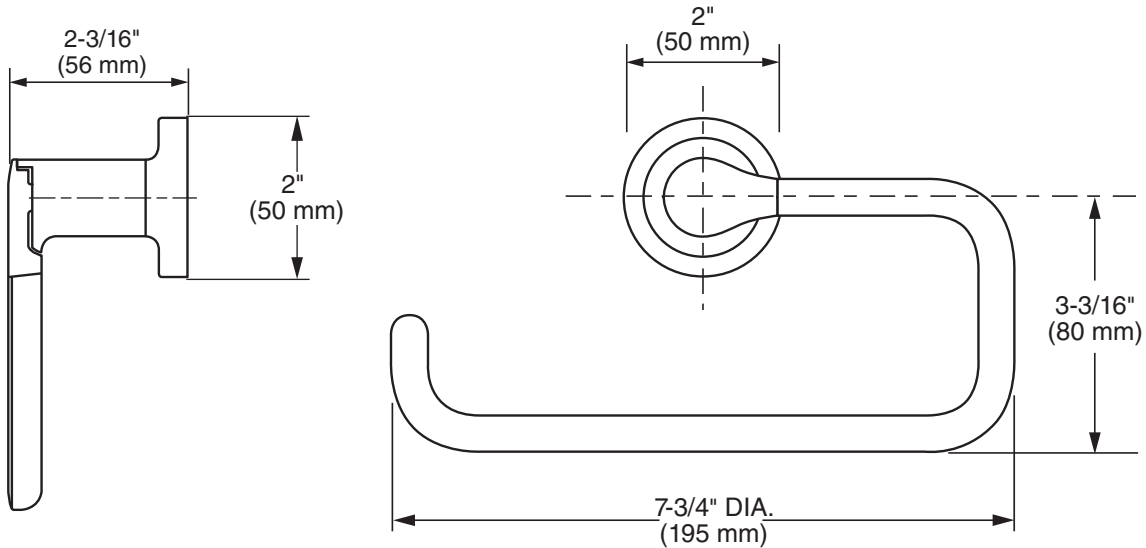


MODEL NUMBER:

□ 7105.190 - Towel Ring

Available Finishes

002	Polished Chrome
295	PVD Brushed Nickel



PRODUCT FEATURES:

Materials of Construction: Metal construction for durability & long life. Bushing on towel ring to prevent scratching and squeaking

Concealed Mounting: No exposed set screws.

Easy to Install

SUGGESTED SPECIFICATION

Towel Ring shall feature metal construction. Shall feature concealed mounting with no exposed set screws. Towel Ring shall be American Standard Model # 7105.190.____.