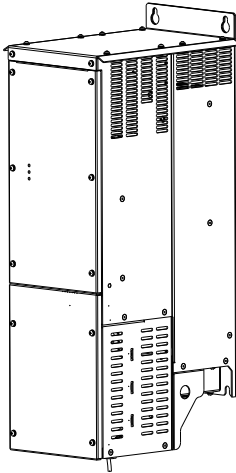




Altivar Process - Size 6 Braking unit

VW3A7105, VW3A7106



Braking unit		20 kg (44 lb)	Altivar	
VW3A7105	160 kW		ATV930C11N4C	ATV930C13N4C
VW3A7106	75 kW	ATV930C16N4C	ATV930D55M3C	
		ATV930D75M3C		

⚠ ⚠ DANGER

HAZARD OF ELECTRIC SHOCK, EXPLOSION, OR ARC FLASH

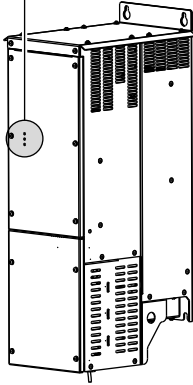
- Only appropriately trained persons who are familiar with and understand the contents of this manual and all other pertinent product documentation and who have received safety training to recognize and avoid hazards involved are authorized to work on and with this drive system. Installation, adjustment, repair, and maintenance must be performed by qualified personnel.
- The system integrator is responsible for compliance with all local and national electrical code requirements as well as all other applicable regulations with respect to grounding of all equipment.
- Many components of the product, including the printed circuit boards, operate with mains voltage. Do not touch. Use only electrically insulated tools.
- Do not touch unshielded components or terminals with voltage present.
- Motors can generate voltage when the shaft is rotated. Prior to performing any type of work on the drive system, block the motor shaft to prevent rotation.
- AC voltage can couple voltage to unused conductors in the motor cable. Insulate both ends of unused conductors of the motor cable.
- Do not short across the DC bus terminals or the DC bus capacitors or the braking resistor terminals.
- Before performing work on the drive system:
 - Disconnect all power, including external control power that may be present.
 - Place a "Do Not Turn On" label on all power switches.
 - Lock all power switches in the open position.
 - Wait 15 minutes to allow the DC bus capacitors to discharge. The DC bus LED is not an indicator of the absence of DC bus voltage that can exceed 800 Vdc.
 - Measure the voltage on the DC bus between the DC bus terminals (PA/+ and PC/-) using a properly rated voltmeter to verify that the voltage is <42 Vdc.
 - If the DC bus capacitors do not discharge properly, contact your local Schneider Electric representative. Do not repair or operate the product.
- Install and close all covers before applying voltage.

Failure to follow these instructions will result in death or serious injury.

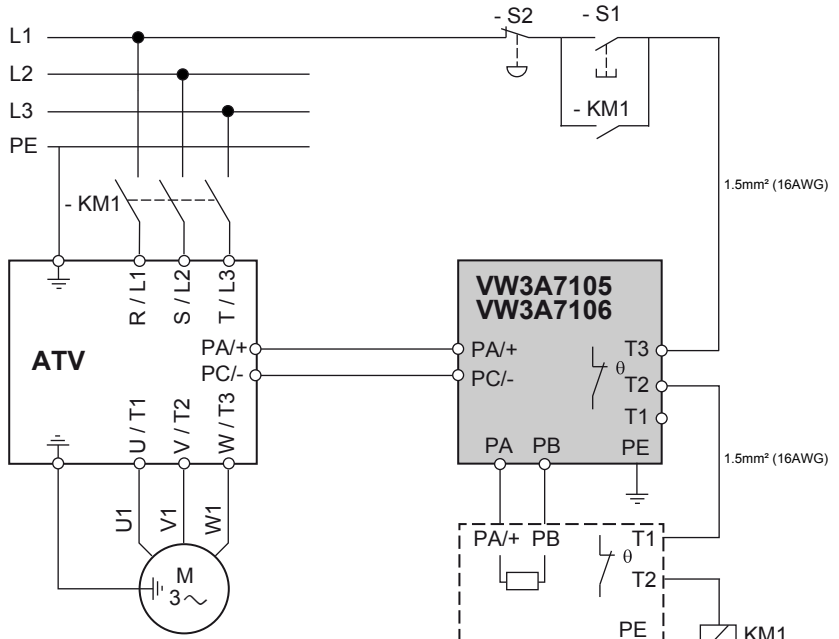
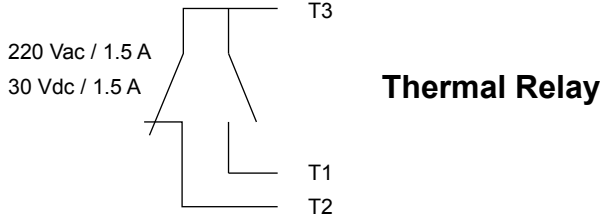
Electrical equipment should be installed, operated, serviced, and maintained only by qualified personnel. No responsibility is assumed by Schneider Electric for any consequences arising out of the use of this product.

© 2017 Schneider Electric. All Rights Reserved.

Power ON	white LED
Error	red LED
Operating	white LED



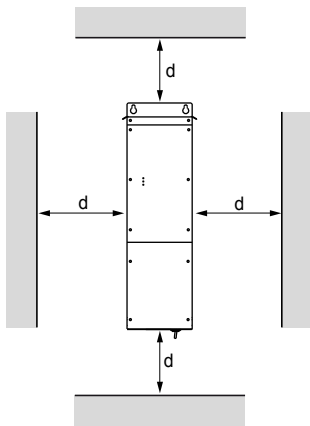
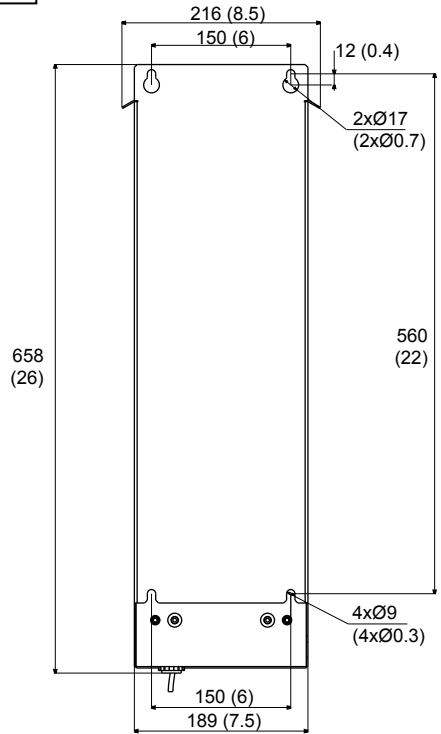
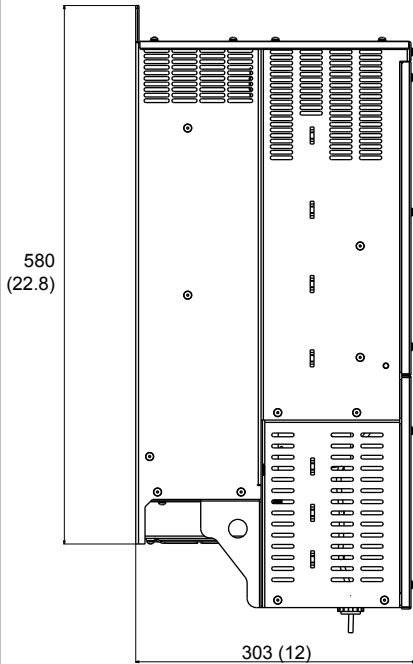
	VW3A7105	VW3A7106
Integrated fan	166 m³/h (5862 cfm)	
Braking power (overheat protection)		



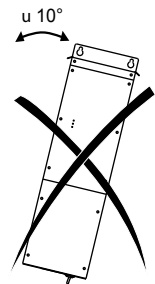
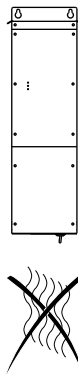
PA/+	PC/-	PA	PB
120 mm ² (250MCM)	120 mm ² (250MCM)	120 mm ² (250MCM)	120 mm ² (250MCM)
≤ 5 m (196 in)	≤ 5 m (196 in)	≤ 10 m (393 in)	≤ 10 m (393 in)

If VW3A7105	If VW3A7106
≥ 2.5 Ω	≥ 1.4 Ω

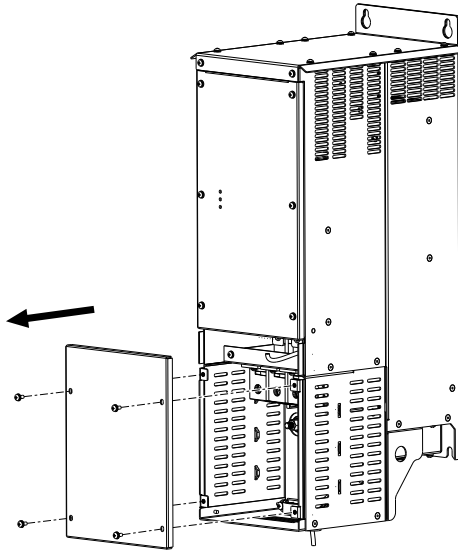
mm (in)



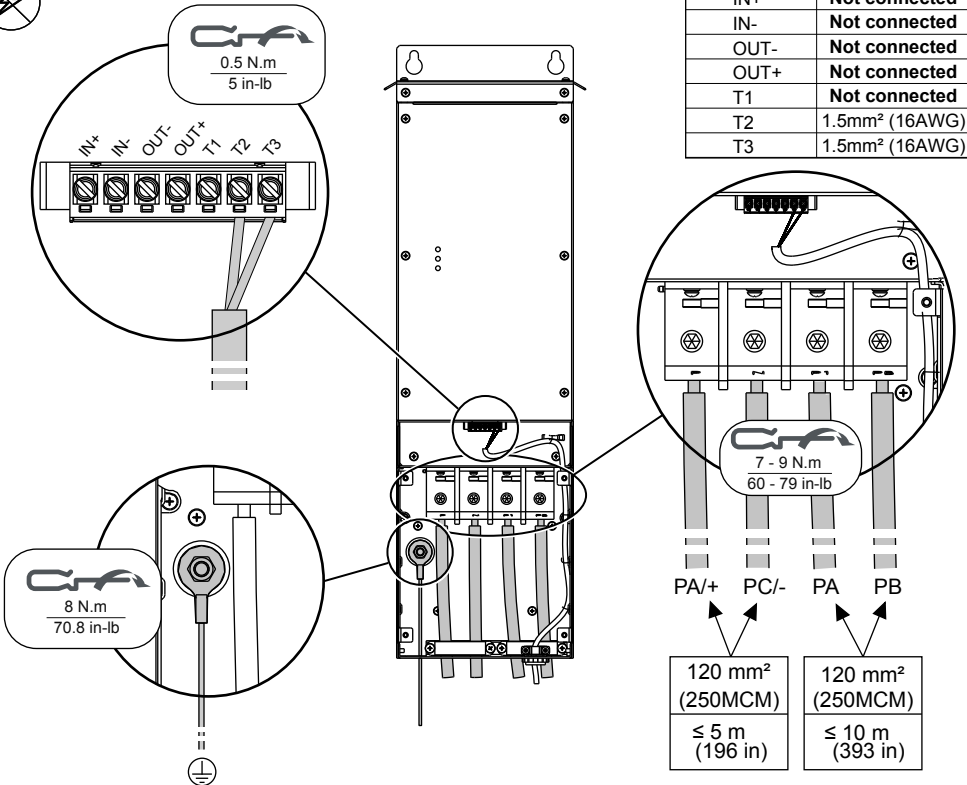
$d \geq 200 \text{ mm (7.87 in)}$



1

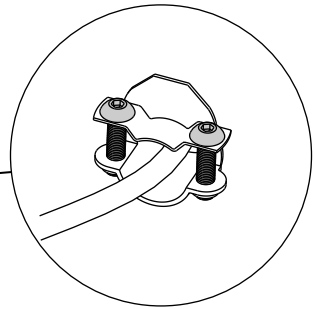
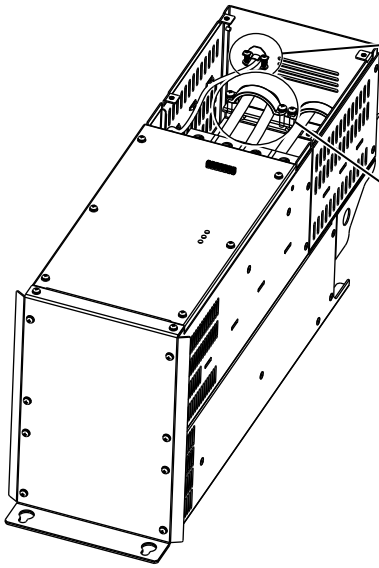


2

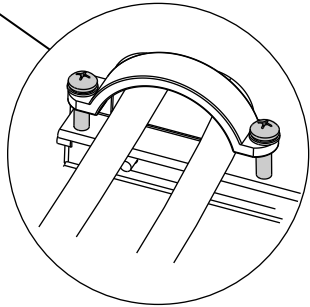


Terminal	Cable size
IN+	Not connected
IN-	Not connected
OUT-	Not connected
OUT+	Not connected
T1	Not connected
T2	1.5mm ² (16AWG)
T3	1.5mm ² (16AWG)

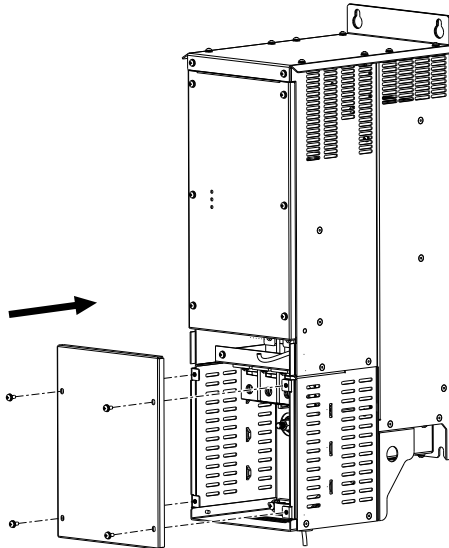
3



3 N.m
26 in-lb



4



3 - 5 N.m
26 - 44 in-lb

