

ELM150HD and ELM250JD Earth Leakage Modules For PowerPact® H- and J-Frame Circuit Breakers

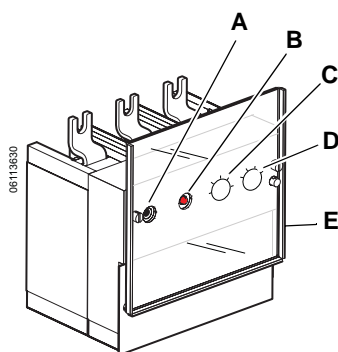
Retain for future use.

Description

The Earth Leakage Module (ELM) is a line-powered low-level ground fault sensing device. When leakage exceeds the ELM pickup setting for longer than the preset time delay, a signal is sent to the shunt trip in the companion circuit breaker, causing it to trip.

Application Guidelines

- 240 to 600 Vac maximum; 60 Hz
- 3Ø, 3-wire (no neutral sensor) or 1Ø, 2-wire
- Designed for solidly-grounded power systems only
- Neutral-grounded conductors must be grounded at service equipment.
- Do not reverse feed
- Do not high-pot circuit with ELM installed; turn circuit breaker OFF first.



(A) Earth Leakage Indicator: Pops out when the ELM sends a trip signal to the circuit breaker.

(B) Push-to-Test Button: Trips the companion circuit breaker.

(C) Pick-up Adjustment: Sets minimum earth leakage current to initiate a tripping signal to the companion circuit breaker. The settings for the ELM150HD and ELM250JD are 30 mA, 100 mA, 300 mA, 1 A, and 3 A.

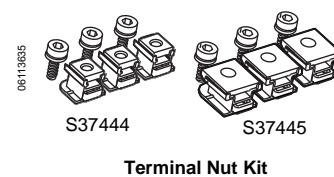
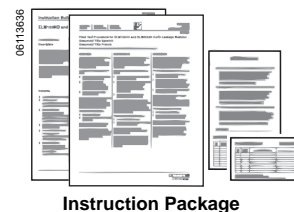
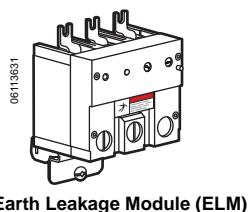
(D) Delay Band Adjustment: Sets the delay band. (The higher the band number, the longer the delay.) See trip curves, page 10 for exact time-current characteristics.

(E) Sealable Transparent Faceplate Cover: Covers faceplate area (shipped in box).

Contents

- **Earth Leakage Module (ELM)** (1)
- **Instruction Package:**
 - (1) Instruction Bulletin
 - (1) Field Test Procedure
 - (1) Test Log
 - (1) Ground Fault Test Label
- **Lug Kit (ELM150HD only):**
 - (3) 150 A Lugs
 - (3) Machine Screws (1/4-20 x 0.625 in.)
 - (3) Wire Binding Screws
- **Control Wires for Shunt Trip** (2), Orange, 18 AWG, 24 in. (Rated 600 V)
- **Accessory Bag:**
 - (1) Faceplate Cover
 - (1) Circuit Breaker Lug Access Cover
 - (2) Screws, 4-24 x .438 in.
 - (1) Spacer for Unit Mounting
- **Terminal Nut kit:**
 - (1) S37444 for ELM150HD
 - (1) S37445 for ELM250JD

Figure 1: Kit Contents



ELM Companion Circuit Breakers

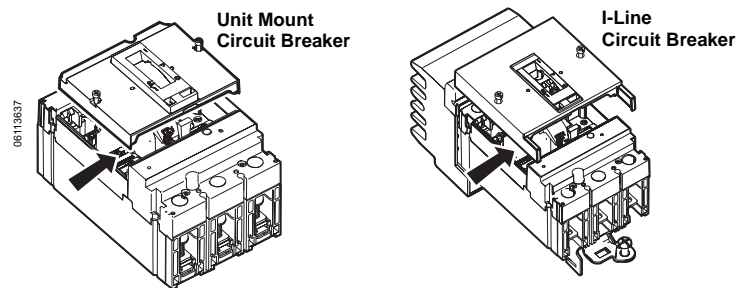
Table 1: Companion Circuit Breaker

ELM Cat. No.	Prefix	Off End Connection			Shunt Trip (48 Vdc)	
		Conn.	I-Line Example	Unit-Mount Example	Field Installed	Factory Installed
ELM150HD	HD, HG, HJ, HL	Bus Bar	HDA36xxxTBSP	HDM36xxxSP	S29392	SP suffix
ELM250JD	JD, JG, JJ, JL					

NOTE: The ELM cannot be used as an alarm-only device as the line power must be interrupted to protect the ELM power supply components. If the alarm-only function is required, consider the Square D® Vigirex® ground fault relays.

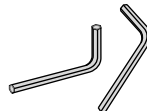
NOTE: The companion circuit breaker must have an S29392 48 Vdc **shunt trip** accessory installed. If shunt trip S29392 is not installed in the circuit breaker, install it following instructions shipped with shunt trip.

Figure 2: S29392 Shunt Trip Location



Tools Required

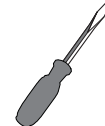
- Hex Wrenches; 5/32, 3/16, 1/4, 5/16, and 3/8 in.
- Screwdriver, Phillips #1 and #2.
- Screwdriver, Slotted, 0.1 in. (2.5 mm) and 0.25 in. (6.5 mm)



Hex Wrenches



Screwdriver, Phillips



Screwdriver, Slotted

Safety Precautions

⚠ DANGER

HAZARD OF ELECTRIC SHOCK, EXPLOSION OR ARC FLASH

- Apply appropriate personal protective equipment (PPE) and follow safe electrical work practices. See NFPA 70E.
- This equipment must only be installed and serviced by qualified electrical personnel.
- Turn off all power supplying this equipment before working on or inside equipment.
- Always use a properly rated voltage sensing device to confirm power is off.
- Replace all devices, doors and covers before turning on power to this equipment.

Failure to follow these instructions will result in death or serious injury.

Installation

Companion Circuit Breaker Preparation (I-Line or Unit Mount)

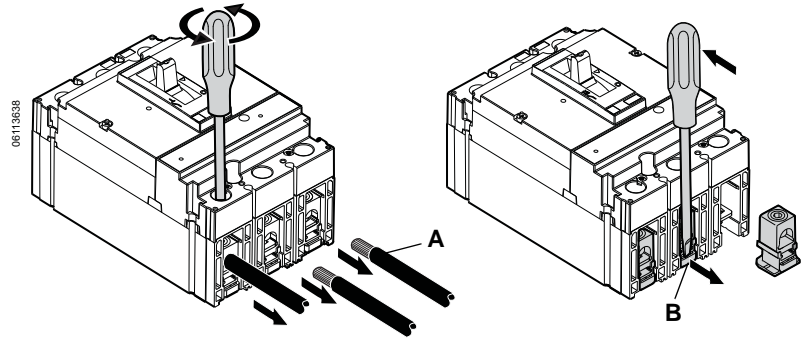
NOTE: The companion circuit breaker must have the terminal nuts installed for bus bar connection. The terminal nuts are included with the module.

Terminal Nut Installation

If existing lugs and conductors are installed on the off-end of the circuit breaker, remove as follows:

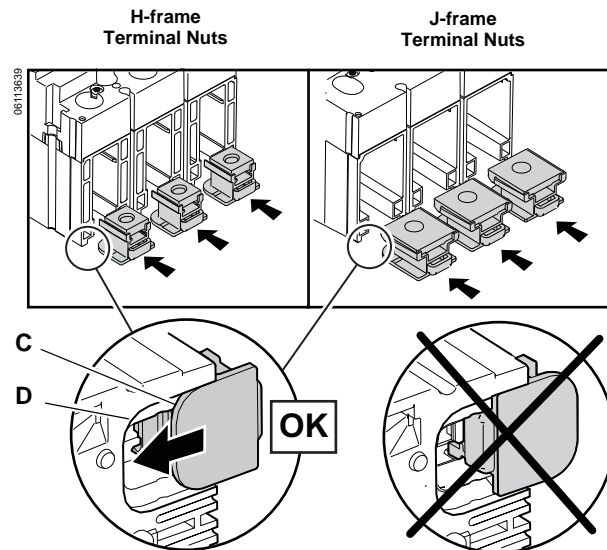
1. If installed, remove off-end conductors (A).
2. Remove lugs, by placing slotted screwdriver in terminal slot (B) and levering lug out.

Figure 3: Existing Lug Removal (if installed)



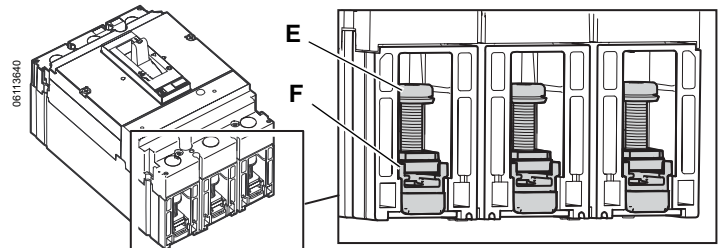
3. Insert terminal nuts by aligning curved edge (C) of terminal nut with curved edge (D) of circuit breaker lug slot and snapping into place.

Figure 4: Terminal Nut Installation



4. Start terminal mounting screws (E) into terminal nuts (F), engaging only first few threads.

Figure 5: Terminal Mounting Screw Installation



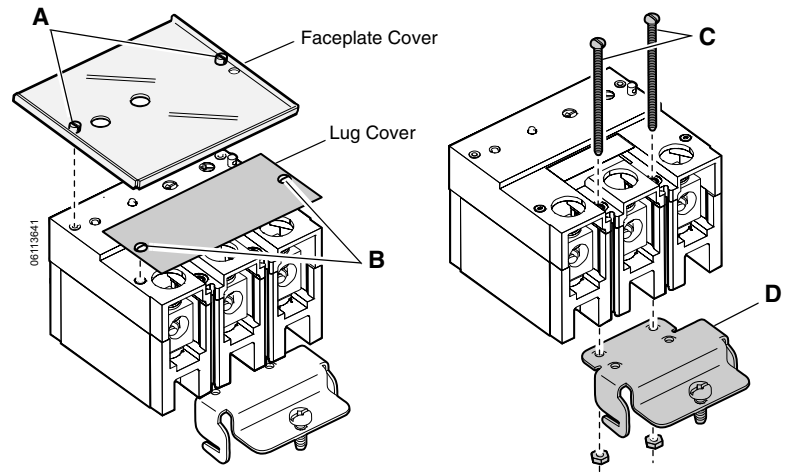
Earth Leakage Module (ELM) Preparation

1. If previously installed, loosen captive faceplate cover screws (A). Remove and save faceplate cover.
2. Loosen captive screws (B). Remove and save lug cover.

NOTE: ELM is shipped with I-Line bracket installed. The I-Line bracket must be removed for unit-mount applications.

3. For I-Line installations, skip to "I-Line ELM Installation" on page 5.
4. For unit-mount installations, remove I-Line bracket as follows:
 - a. Remove screws (C) and retain for "Unit Mount ELM Installation", step 5 on page 5.
 - b. Remove and discard I-Line mounting bracket (D).

Figure 6: ELM Preparation



Unit Mount ELM Installation

CAUTION

HAZARD OF EQUIPMENT DAMAGE

- Install circuit breaker before installing ELM.
- Install ELM on Load side of circuit breaker.
Do not install on Line side of circuit breaker.

Failure to follow these instructions can result in equipment damage.

NOTE: For additional circuit breaker mounting information, refer to instructions shipped with circuit breaker.

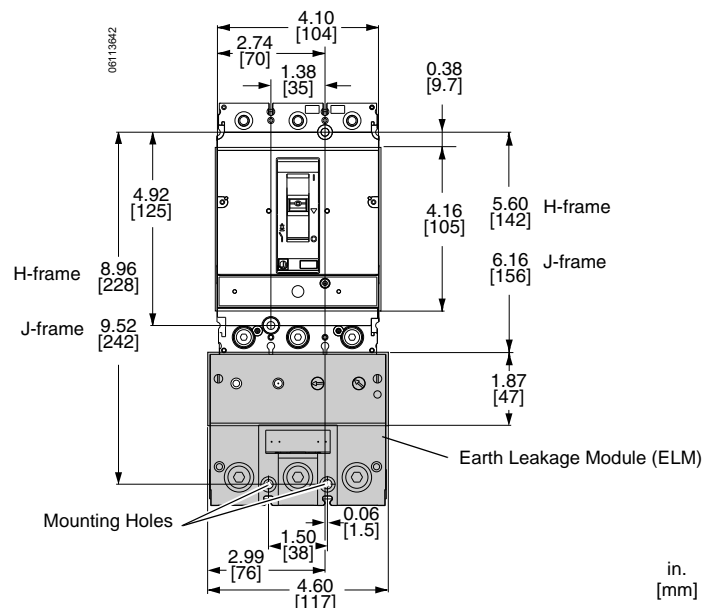
1. Install unit-mount circuit breaker in enclosure. Refer to Table 2 for minimum enclosure sizes.
2. Refer to Figure 7 and drill and tap ELM mounting holes in enclosure pan.

Table 2: Minimum Enclosure Sizes

Circuit Breaker Prefix	Rating	Minimum Enclosure Sizes (h x w x d)	
		Standard (80%) Rated	100% Rated ¹
HD, HG, HJ, HL	15–150 A	18.13 x 8.63 x 4.13 in. (461 x 219 x 105 mm)	62 x 22.5 x 14 in. (572 x 1575 x 356 mm)
JD, JG, JJ, JL	150–250 A	28.5 x 12.38 x 5.38 in. (724 x 314 x 137 mm)	62 x 22.5 x 14 in. (572 x 1575 x 356 mm)

¹ ELM250JD is not certified for use with 100% rated 250 A circuit breakers.

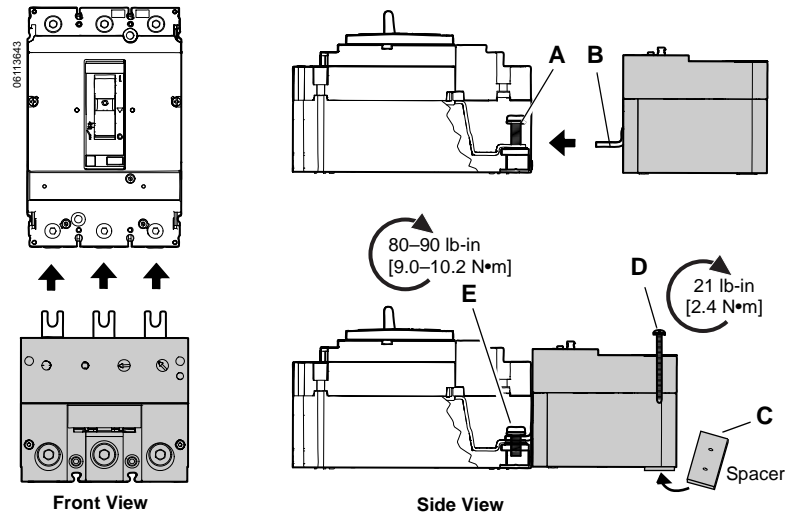
Figure 7: ELM Mounting



NOTE: Circuit breaker terminal screws (A) should have only a few threads engaged before installing ELM.

- Align ELM tangs (B) with circuit breaker terminal screws and slide ELM against circuit breaker.
- Place spacer (C, provided) between ELM and mounting pan.
- Install mounting screws (D), which were removed in step 4-a on Page 4, through ELM and spacer into mounting pan holes. Tighten screws.
- Tighten circuit breaker terminal screws (E).

Figure 8: ELM Installation (Unit Mount Circuit Breaker)



I-Line ELM Installation

CAUTION

HAZARD OF EQUIPMENT DAMAGE

Install circuit breaker before installing ELM.

Failure to follow these instructions can result in equipment damage.

NOTE: Spacers and mounting screws packed with ELM are not used in I-Line installations.

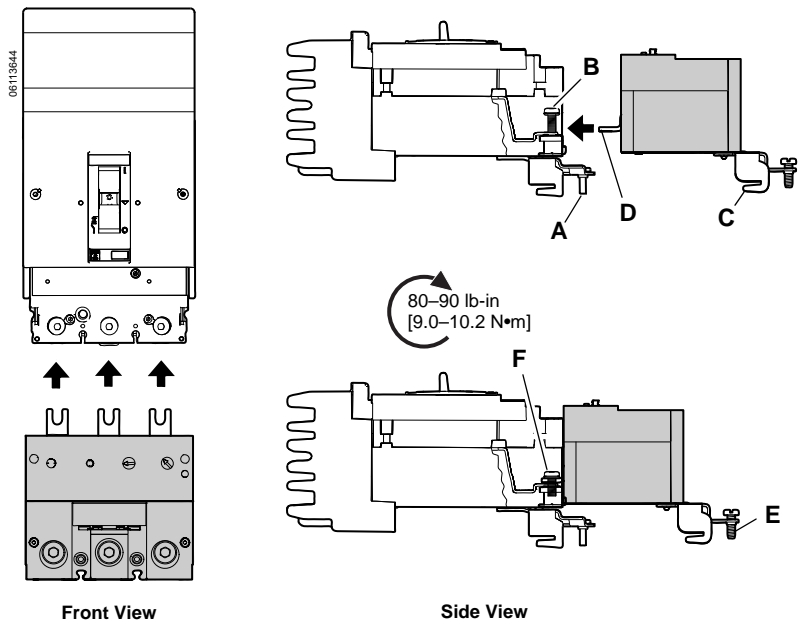
- Install line end of circuit breaker in I-Line panel per circuit breaker instructions.

NOTE: I-Line circuit breaker bracket screw (A) must be tightened before ELM is installed.

NOTE: Circuit breaker terminal screws (B) should have only a few threads engaged before installing ELM.

- Align ELM I-Line mounting bracket (C) with LA I-Line slots of panelboards or switchboards.
- Align ELM tangs (D) with circuit breaker terminal screws. Slide ELM against circuit breaker.
- Tighten retaining screw (E).
- Tighten circuit breaker terminal screws (F).

Figure 9: ELM Installation (I-Line Circuit Breaker)



Circuit Breaker Wiring

ELM150HD Small Lug Replacement (If Applicable)

NOTE: The ELM150HD is shipped with small lugs installed. Replace small lugs with large lugs as required per Table 3.

1. Remove the wire binding screws (A) using a slotted screwdriver.
2. Use a 5/32 in. hex wrench to remove the existing lug mounting screws (B). Discard screws and lugs.
3. Refer to Figure 11. Use a 1/4 in. hex wrench to remove the wire binding screws (C) from the large lugs (D).
4. Insert the large lugs, with the anti-rotation groove (E) toward the ELM.

NOTE: The new 4/0 lugs must be secured with the provided 1/4-20 pan head slotted mounting screws (F). Do not use the internal hex screws from the old 1/0 lugs to mount the new lugs.

5. Secure the large lugs with the pan-head lug mounting screws (F) provided in the parts kit. Torque to 50 lb-in. (5.6 N•m).
6. Partially install the previously removed wire binding screws (G) in the large lugs.

Figure 10: Small Lug Removal (ELM150HD - If Applicable)

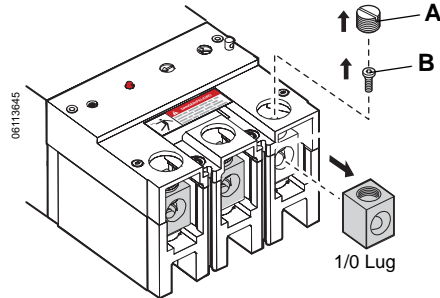
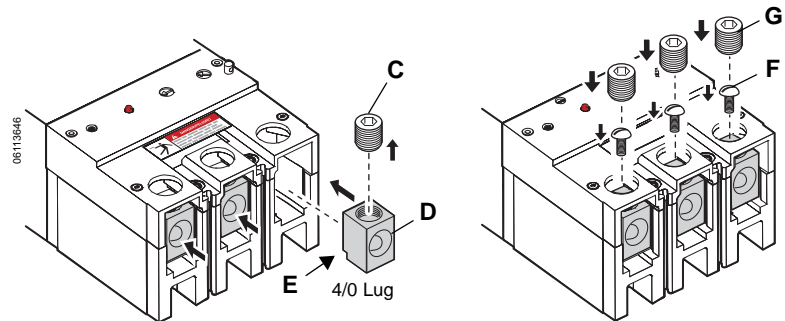


Figure 11: Large Lug Installation



Load Conductor Installation

Insert conductors into ELM lugs and tighten lug wire binding screws. See Table 3 for load conductor specifications.

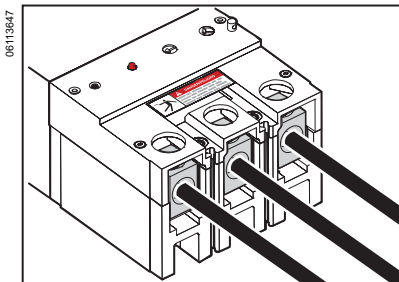


Table 3: Load Conductor Specifications

Earth Leakage Module	Wire Size	Wire Type	Wire Binding Screw Torque
ELM150HD	Small Lug	14-1/0 AWG (2.5-50 mm ²)	Cu 80 lb-in (9 N•m)
		12-1/0 AWG (2.5-50 mm ²)	Al (stranded) 80 lb-in (9 N•m)
	Large Lug	12-10 AWG (2.5-6 mm ²)	Al (solid) 40 lb-in (4.5 N•m)
		1-4/0 AWG (50-120 mm ²)	Cu/Al 150 lb-in (17 N•m)
ELM250JD	4 AWG-350 kcmil (25-185 mm ²)	Cu/Al 250 lb-in (25.8 N•m)	

Control Wiring Installation

CAUTION

HAZARD OF EQUIPMENT DAMAGE

- When installing control wires, be sure wire strands do not contact adjacent terminals.
- Accessory cover must be secured with all screws tightened to stated torque. Do not over-torque screws. Do not use power equipment to torque screws.

Failure to follow these instructions can result in equipment damage.

NOTE: Control wire must have insulation rating equal to or greater than the line voltage in the panel being monitored. Use orange wires provided (Rated 600 V) for shunt trip connections.

Shunt Trip Connections

NOTE: A shunt trip must be installed in the circuit breaker and connected to the ELM. The ELM cannot be used as an alarm-only device as the line power must be interrupted to protect the ELM power supply components. If the alarm-only function is required, consider the Square D® Vigirex® ground fault relays.

1. Loosen circuit breaker accessory cover screws (A) and remove accessory cover.
2. Install orange shunt trip control wires (B, provided) to shunt trip (C).

NOTE: Be careful not to pinch wires when installing covers. If necessary, remove wire cutout from unit-mount accessory cover (D).

3. Route wiring as shown.
4. Replace accessory cover and replace all accessory cover screws. Torque accessory cover screws to 9 lb-in (1 N•m). Do not exceed torque specification.

NOTE: To confirm proper accessory cover is matched to circuit breaker, check that the catalog number printed on side accessory label (A) matches catalog number printed on accessory cover (B).

Figure 12: Control Wire Installation

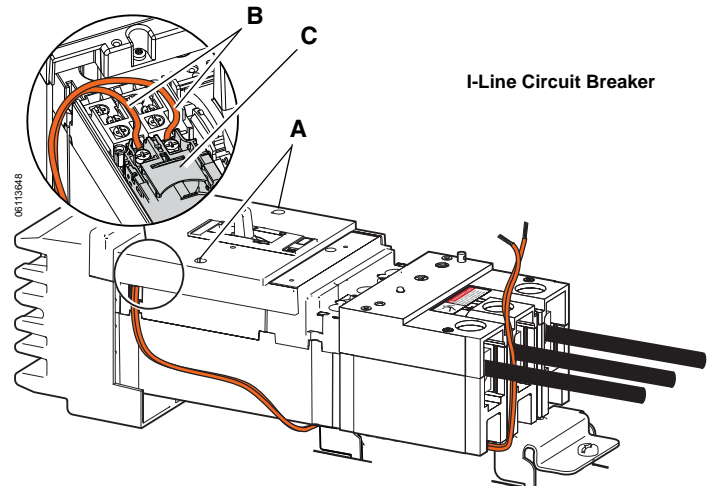


Figure 13: Control Wire Installation

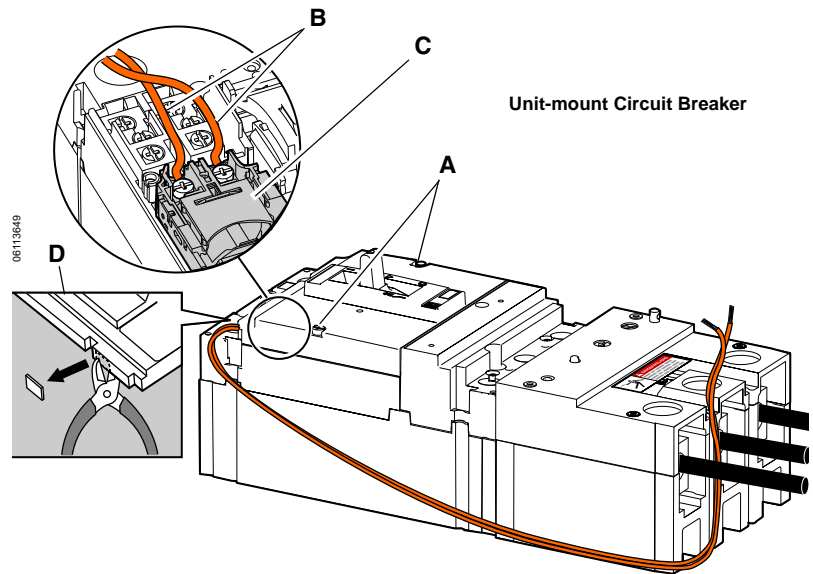
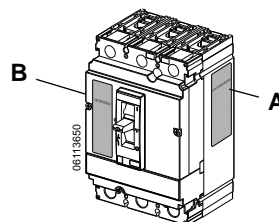


Figure 14: Accessory Cover Label

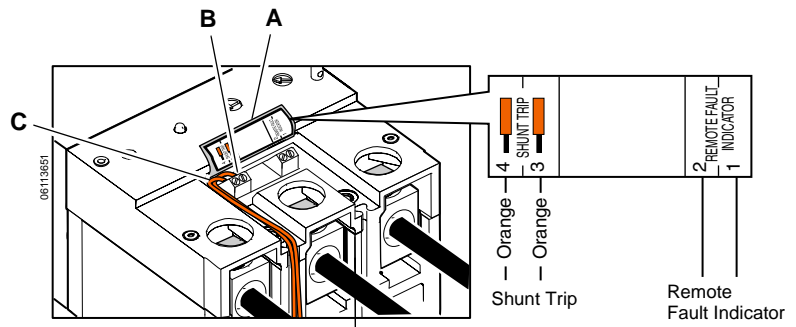


Shunt Trip Control Wiring

NOTE: Use 14–18 AWG wire and strip wire to 5/16 in. (8 mm).

1. Lift ELM warning label (A) as shown in Figure 15.
2. Loosen screws in terminals (B).
3. Install ELM control wiring (C) as shown. Torque terminal screws to 5.3 lb-in. (0.60 N•m).
4. Inspect control wire for damage before activation.
5. Using the push-to-test button, test the shunt trip and wiring before installing the remote fault indicator wiring.

Figure 15: Shunt Trip Control Wiring Installation



Remote Fault Indicator Wiring

The ELM provides contacts (1a) that are normally open in the absence of an earth leakage fault.

These can light an alarm LED or be an input to an electronic monitoring system (PLC, SCADA) to show that the ELM has tripped.

Remote Fault Indicator Characteristics:

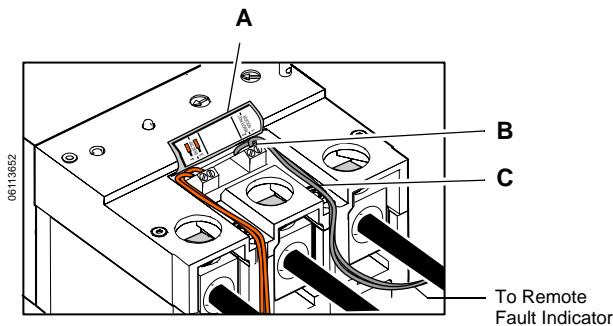
- External “wetting voltage” of 125 Vdc, 120 Vac nominal.
- Maximum continuous current through terminals ≤ 25 mA.
- For AC voltage, the “pulse” will persist for a minimum of a half-cycle.
- DC voltage requires the monitoring system to provide means of breaking the current.
- A suitable fuse should be installed in the remote fault indicator circuit.

NOTE: The ELM cannot be used as an alarm-only device. A shunt trip must be installed in the circuit breaker and connected to the ELM.

NOTE: Use 14–18 AWG wire and strip wire to 5/16 in. (8 mm). Control wires must be rated for voltage greater-than or equal-to equipment voltage.

1. Lift ELM warning label (A) as shown in Figure 16.
2. Loosen screws in terminal (B).
3. Install remote fault indicator wiring (C) as shown.
4. Inspect control wire for damage before activation.
5. Use push-to-test button to verify that the remote fault indicator is functional.

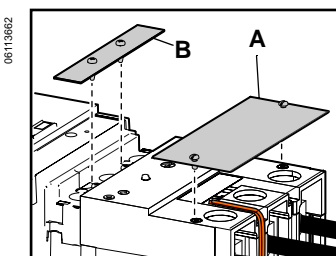
Figure 16: ELM Remote Fault Indicator Wiring



Lug Cover Installation

1. Replace ELM lug cover (A) as shown in Figure 17.
2. Install lug access cover (B).

Figure 17: ELM Lug Cover and Lug Access Cover Installation



Adjustments

Refer to the electrical diagram for your project to determine the pickup and delay settings.

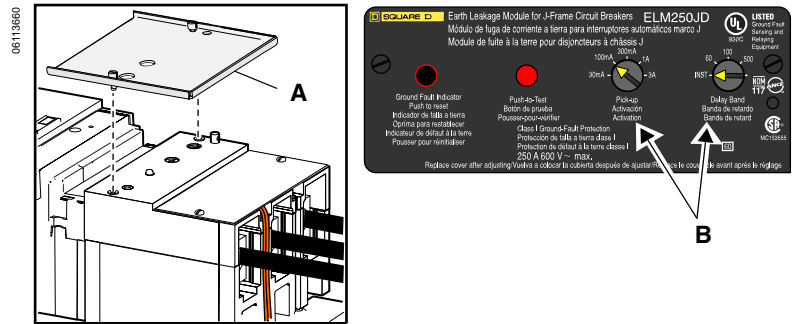
1. If installed, remove faceplate cover (A) as shown in Figure 18.
2. Set pickup and delay band adjustments (B) to desired settings.

NOTE: It is possible to set time delay at all pickup levels, including 30 mA (*Contrary to IEC practices*).

NOTE: Nuisance tripping may occur due to:

- Excessive harmonics
- Unusually high capacitive leakage to ground

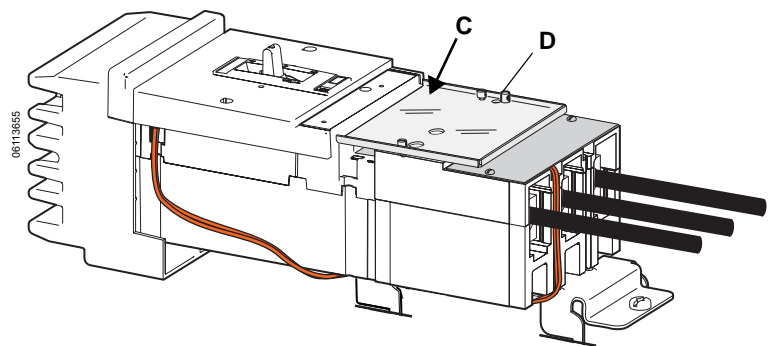
Figure 18: Pickup and Delay Adjustment



Faceplate Cover Installation

1. Orient faceplate cover so lettering at top (C) matches application (150HD or 250JD). Install cover and tighten cover screws.
2. Seal faceplate cover using wire ties or seals (D) to prevent tampering with adjustments.
3. Attach label entitled "Instructions for Ground-Fault System" to enclosure near companion circuit breaker.

Figure 19: Faceplate Cover Installed



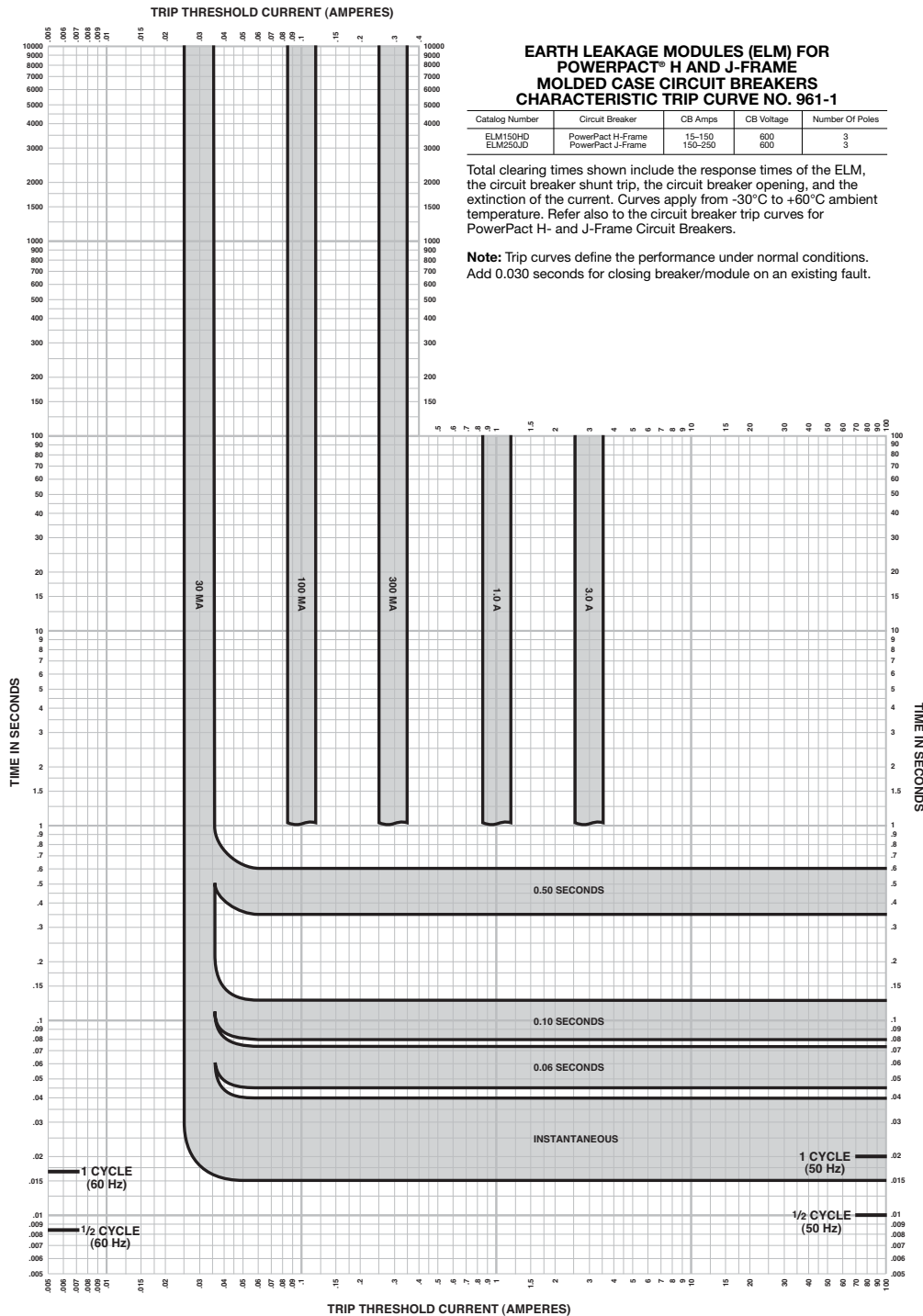
Test the Ground-fault System

Paragraph 230-95 (c) of the National Electrical Code requires ground-fault protection system to be performance tested before being placed into service.

Refer to Field Test Procedure 48041-090-XX, provided with this kit, for test information.

Trip Curves

Figure 20: ELM150HD and ELM250JD Trip Curve



Schneider Electric USA, Inc.
3700 Sixth St SW
Cedar Rapids, IA USA
1-888-SquareD (1-888-778-2733)
www.schneider-electric.us

Electrical equipment should be installed, operated, serviced, and maintained only by qualified personnel. No responsibility is assumed by Schneider Electric for any consequences arising out of the use of this material.

Módulos de fuga de corriente a tierra ELM150HD y ELM250JD Para los interruptores automáticos Powerpact® marcos H y J

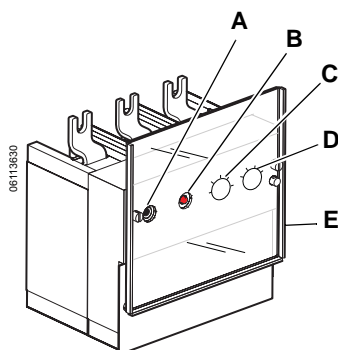
Conservar para uso futuro.

Descripción

El módulo de fuga de corriente a tierra (MFCT) es un dispositivo detector de fallas a tierra de bajo nivel alimentado por línea principal. Cuando la fuga a tierra excede el ajuste de activación del módulo durante un período más largo que el retardo de tiempo predeterminado, una señal es enviada al disparo en derivación en el interruptor automático complementario para que se dispare.

Información sobre su uso

- 240 a 600 V~ como máximo; 60 Hz
- 3Ø, 3 hilos (sin sensor neutro) o bien, 1Ø, 2 hilos
- Diseñado únicamente para sistemas de alimentación conectados directamente a tierra
- Los conductores de neutro puestos a tierra deben ser conectados en el equipo de acometida.
- No adecuado para aplicaciones de alimentación inversa
- No realice pruebas de rigidez dieléctrica al circuito con el módulo instalado, primero desconecte (O/Off) el interruptor automático.



Indicador de fuga de corriente a tierra (A): Se bota cuando el módulo envía una señal de disparo al interruptor automático.

Botón de prueba (B): Dispara el interruptor automático complementario.

Ajuste de activación (C): Ajusta la corriente mínima de fuga a tierra para iniciar una señal de disparo en el interruptor automático complementario. El ajuste para los módulos ELM150HD y ELM250JD son 30 mA, 100 mA, 300 mA, 1 A y 3 A.

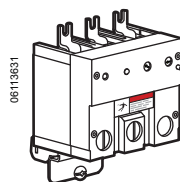
Ajuste de banda de retardo (D): Ajusta la banda de retardo. (entre más grande el número de banda, más largo el retardo). Vea las curvas de disparo, en la page 10 para conocer las características exactas de tiempo-corriente.

Cubierta de la placa frontal transparente de cierre hermético (E): Cubre el área de la placa frontal (enviada en la caja).

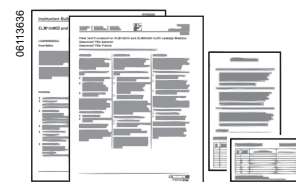
Contenido

- **Módulo de fuga de corriente a tierra (1)**
- **Paquete de instrucciones**
 - (1) boletín de instrucciones
 - (1) boletín de procedimiento de pruebas en campo
 - (1) registro cronológico de pruebas
 - (1) etiqueta de pruebas de falla a tierra
- **Kit de zapatas (sólo para el ELM150HD):**
 - (3) zapatas de 150 A
 - (3) tornillos de máquina de 1/4-20 x 0,625
 - (3) tornillos de sujeción de cables
- **Cables de control anaranjados (2) para el disparo en derivación** de 18 AWG, 24 pulg (600 V nominales)
- **Bolsa de accesorios:**
 - (1) cubierta para la placa frontal
 - (1) cubierta de acceso a las zapatas del interruptor automático
 - (2) tornillos de 4-24 x 0,438
 - (1) espaciador para montaje individual
- **Kit de tuercas de terminal:**
 - (1) S37444 para el módulo ELM150HD
 - (1) S37445 para el módulo ELM250JD

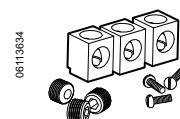
Figura 1: Contenido del kit



Módulo de fuga de corriente a tierra



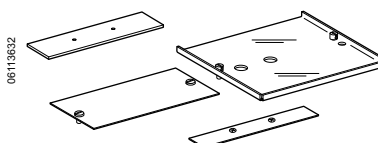
Paquete de instrucciones



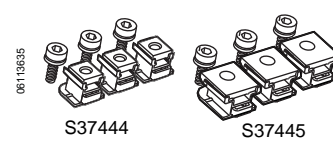
Kit de zapatas para el módulo ELM150HD



Cables de control para el disparo en derivación



Contenido en la bolsa de accesorios



Kit de tuercas de terminal

Interruptores automáticos complementarios para el módulo

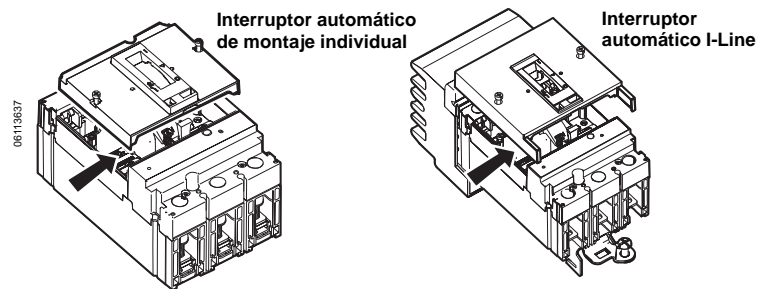
Tabla 1: Interruptor automático complementario

No. de cat. del módulo	Prefijo	Conexión del extremo abierto (O/Off)			Disparo en derivación (48 Vc.d.)	
		Con.	Ejemplo I-Line	Ejemplo montaje individual	Instalado en campo	Instalado en la fábrica
ELM150HD	HD, HG, HJ, HL	Barra de distribución	HDA36xxxTBSP	HDM36xxxSP	S29392	Sufijo SP
ELM250JD	JD, JG, JJ, JL					

NOTA: El módulo de fuga de corriente a tierra no se puede usar como un dispositivo de alarma solamente debido a que la alimentación de línea debe ser interrumpida para proteger los componentes de la fuente de alimentación del módulo. Si es necesaria la función de alarma solamente, considere la adquisición de relevadores de falla a tierra Vigirex® de Square D®.

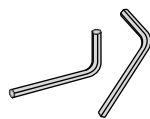
NOTA: El interruptor automático complementario debe tener un **disparo en derivación** S29392 de 48 V(c.d.) instalado. Si el disparo en derivación S29392 no está instalado en el interruptor automático, instálelo siguiendo las instrucciones incluidas con el envío.

Figura 2: Ubicación del disparo en derivación S29392



Herramientas necesarias

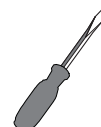
- Llave para tuercas con cavidad hexagonal de 5/32, 3/16, 1/4, 5/16 y 3/8
- Destornillador Phillips, no. 1 y 2.
- Destornillador de punta plana de 2,5 mm (0,1 pulg) y 6,5 mm (0,25 pulg)



Llave hexagonal



Destornillador Phillips



Destornillador de punta plana

Precauciones de seguridad

⚠ PELIGRO

PELIGRO DE DESCARGA ELÉCTRICA, EXPLOSIÓN O DESTELLO POR ARQUEO

- Utilice equipo de protección personal (EPP) apropiado y siga las prácticas de seguridad en trabajos eléctricos establecidas por su Compañía, consulte la norma 70E de NFPA.
- Solamente el personal eléctrico especializado deberá instalar y prestar servicio de mantenimiento a este equipo.
- Desenergice el equipo antes de realizar cualquier trabajo dentro o fuera de él.
- Siempre utilice un dispositivo detector de tensión nominal adecuado para confirmar la desenergización del equipo.
- Vuelva a colocar todos los dispositivos, las puertas y las cubiertas antes de volver a energizar el equipo.

El incumplimiento de estas instrucciones podrá causar la muerte o lesiones serias.

Instalación

Preparación del interruptor automático complementario (I-Line o individual)

NOTA: El interruptor automático complementario debe tener tuercas de terminal instaladas para la conexión de las barras de distribución. Las tuercas de terminal vienen incluidas con el módulo.

Instalación de las tuercas de terminal

Si se encuentran instalados los conductores y zapatas existentes en el extremo abierto (O/Off) del interruptor automático, retírelos de la siguiente manera:

1. Si están instalados, retire los conductores (A) del extremo abierto.
2. Retire las zapatas colocando el destornillador de punta plana en la ranura (B) de la terminal y haciendo palanca para sacarlas.
3. Inserte las tuercas de terminal alineando el reborde curvado (C) de la tuerca de terminal con el reborde curvado (D) de la ranura de la zapata del interruptor automático y encájelas en su lugar.

4. Inserte los tornillos de montaje (E) de las terminales en las tuercas (F), enroscando solamente las primeras roscas.

Figura 3: Desmontaje de las zapatas existentes (si están instaladas)

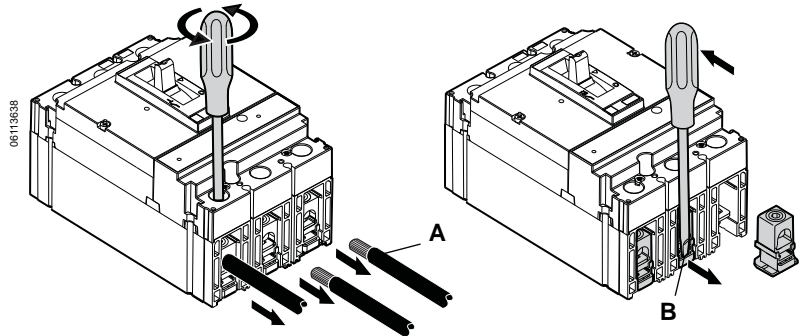


Figura 4: Instalación de las tuercas de terminal

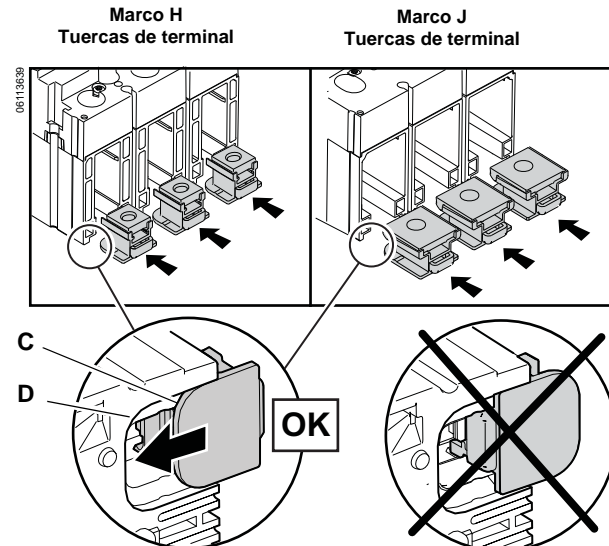
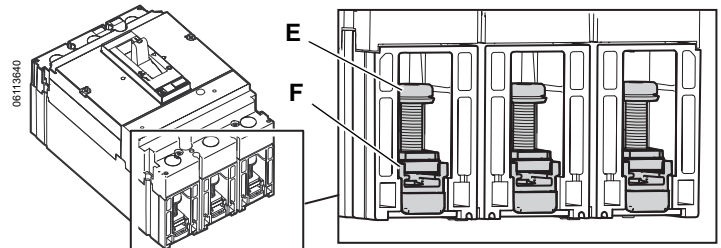


Figura 5: Instalación de los tornillos de montaje de las terminales



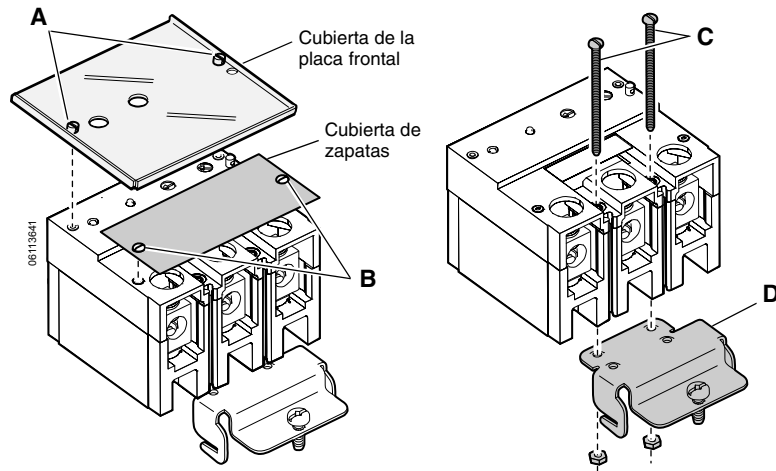
Preparación del módulo de fuga de corriente a tierra

1. Si la cubierta de la placa frontal está instalada, afloje los tornillos cautivos (A). Desmonte y guarde la cubierta de la placa frontal.
2. Afloje los tornillos cautivos (B). Desmonte y guarde la cubierta de zapatas.

NOTA: El módulo viene de fábrica con un soporte I-Line instalado. El soporte I-Line debe ser desmontado en las aplicaciones de montaje individual.

3. En los interruptores I-Line, sátese el procedimiento en "Instalación del módulo en los interruptores I-Line" en la página 5.
4. En los interruptores de montaje individual, desmonte el soporte I-Line de la siguiente manera:
 - a. Retire los tornillos (C) y consérvelos para la instalación del módulo (en interruptores de montaje individual) detallada en el paso 5 en la página 5.
 - b. Desmonte y deseche el soporte de montaje I-Line (D).

Figura 6: Preparación del módulo de fuga de corriente a tierra



Instalación del módulo en interruptores de montaje individual

PRECAUCIÓN

PELIGRO DE DAÑO AL EQUIPO

- Instale el interruptor automático antes de instalar el módulo.
- Instale el módulo en el lado de carga del interruptor automático. No lo instale en el lado de línea del interruptor.

El incumplimiento de estas instrucciones puede causar daño al equipo.

NOTA: Si desea obtener más información sobre el montaje de los interruptores automáticos, consulte las instrucciones incluidas con el interruptor.

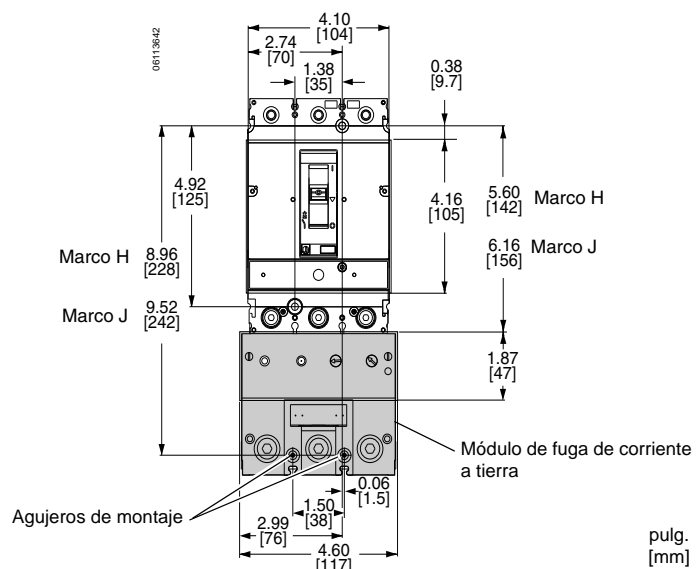
1. Instale el interruptor automático de montaje individual en el gabinete. Consulte la tabla 2 para obtener el tamaño mínimo de gabinete.
2. Consulte la figura 7 al perforar y roscar los agujeros de montaje del módulo en la bandeja del gabinete.

Tabla 2: Tamaño mínimo de gabinete

Prefijo de número de catálogo del interruptor automático	Valor nominal	Tamaño mínimo del gabinete (alto x ancho x profundo)	
		Estándar (valor nominal al 80%)	Valor nominal al 100% ¹
HD, HG, HJ, HL	15–150 A	461 x 219 x 105 mm (18,13 x 8,63 x 4,13 pulg)	572 x 1575 x 356 mm (62 x 22,5 x 14 pulg)
JD, JG, JJ, JL	150–250 A	724 x 314 x 137 mm (28,5 x 12,38 x 5,38 pulg)	572 x 1575 x 356 mm (62 x 22,5 x 14 pulg)

¹ El módulo ELM250JD no ha sido certificado para ser usado con interruptores automáticos de 250 A al 100% de su valor nominal.

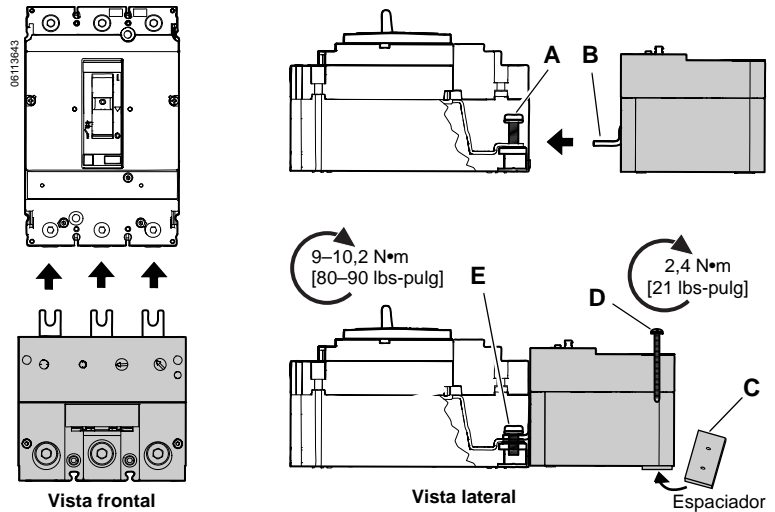
Figura 7: Montaje del módulo de fuga de corriente a tierra



NOTA: Los tornillos de terminal (A) del interruptor automático deberán enroscarse únicamente en las primeras roscas antes de instalar el módulo.

3. Alinee las lengüetas (B) del módulo con los tornillos de terminal del interruptor automático y deslice el módulo hasta apoyarlo sobre el interruptor.
4. Coloque el espaciador (C, incluido) entre el módulo y la bandeja de montaje.
5. Inserte los tornillos de montaje (D), que fueron retirados en el paso 4-a en la página 4, en el módulo y espaciador en los agujeros de la bandeja de montaje. Apriete los tornillos.
6. Apriete los tornillos de terminal (E) del interruptor automático.

Figura 8: Instalación del módulo (interruptor automático de montaje individual)



Instalación del módulo en los interruptores I-Line

PRECAUCIÓN

PELIGRO DE DAÑO AL EQUIPO

Instale el interruptor automático antes de instalar el módulo.

El incumplimiento de estas instrucciones puede causar daño al equipo.

NOTA: Los espaciadores y tornillos de montaje incluidos con el envío del módulo no deberán usarse para la instalación de dispositivos I-Line.

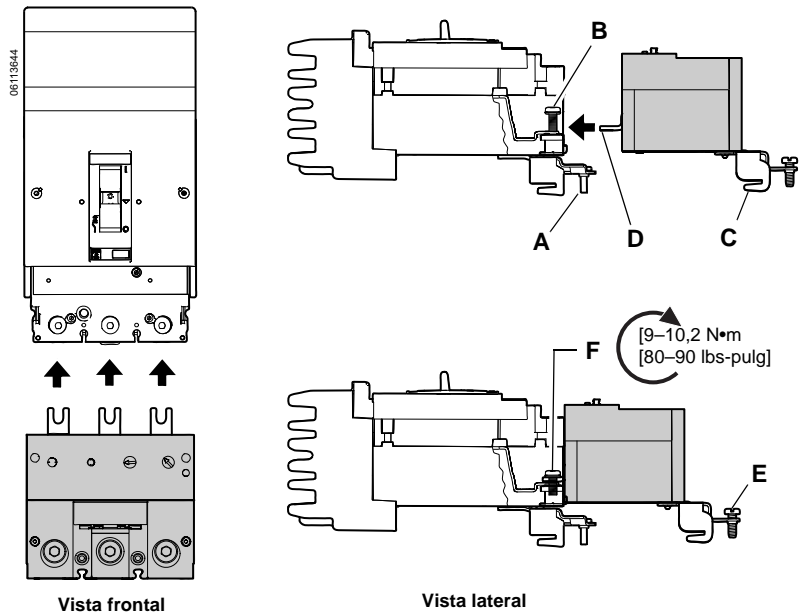
1. Conecte el lado de línea del interruptor automático en el tablero I-Line según las instrucciones del interruptor.

NOTA: El tornillo (A) del soporte I-Line del interruptor automático deberá apretarse antes de instalar el módulo.

NOTA: Los tornillos de terminal (B) del interruptor automático deberán enroscarse únicamente en las primeras roscas antes de instalar el módulo.

2. Alinee el soporte de montaje I-Line (C) del módulo con las ranuras LA de los tableros de alumbrado o de fuerza.
3. Alinee las lengüetas (D) del módulo con los tornillos de terminal del interruptor automático. Deslice el módulo hasta apoyarlo contra el interruptor automático.
4. Apriete el tornillo de sujeción (E).
5. Apriete los tornillos de terminal (F) del interruptor automático.

Figura 9: Instalación del módulo (interruptor automático I-Line)



Alambrado del interruptor automático

Sustitución de las zapatas pequeñas -- ELM150HD (si es aplicable)

NOTA: El módulo ELM150HD viene de fábrica con zapatas pequeñas instaladas. Sustituya las zapatas pequeñas con zapatas grandes según los requisitos en la tabla 3.

1. Retire los tornillos de sujeción de cables (A) empleando un destornillador de punta plana.
2. Utilice una llave para tuercas con cavidad hexagonal de 5/32 para extraer los tornillos de montaje (B) de las zapatas. Deseche los tornillos y las zapatas.
3. Consulte la figura 11. Utilice una llave para tuercas con cavidad hexagonal de 1/4 para extraer los tornillos de sujeción de cables (C) de las zapatas grandes (D).
4. Inserte las zapatas grandes, con la ranura anti-giro (E) hacia el módulo.

NOTA: Las nuevas zapatas de 4/0 deberán estar bien sujetas con los tornillos de cabeza fijadora ranurada (F) de 1/4-20 incluidos. No emplee los tornillos de las antiguas zapatas de 1/0 para montar las nuevas zapatas.

5. Sujete las zapatas grandes con los tornillos de cabeza fijadora (F) para zapata (incluidos con el kit de piezas). Apriételas en 5,6 N•m (50 lbs-pulg).
6. Instale parcialmente los tornillos de sujeción de cables (G) anteriormente retirado, en las zapatas grandes.

Instalación de los conductores de carga

Inserte los conductores en las zapatas del módulo y apriete los tornillos de sujeción de cables de las zapatas. Consulte la tabla 3 para obtener las especificaciones de los conductores de carga.

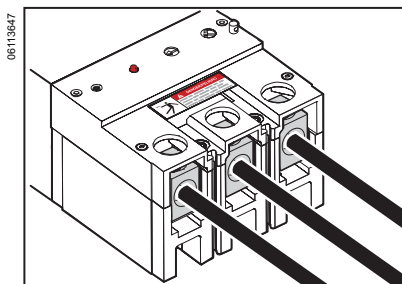


Figura 10: Desmontaje de las zapatas pequeñas (ELM150HD – si es aplicable)

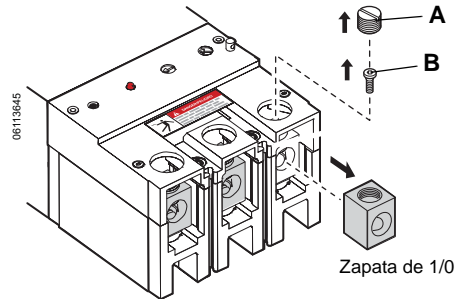


Figura 11: Instalación de las zapatas grandes

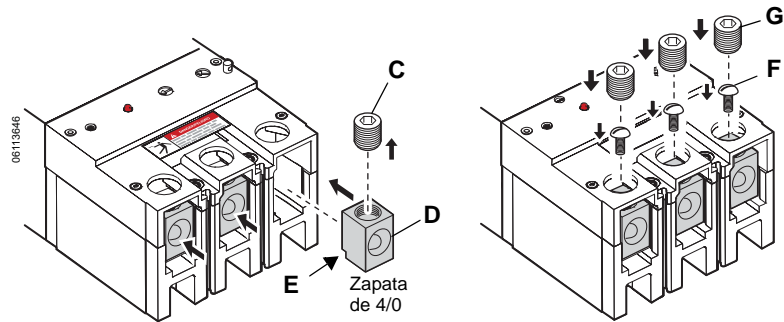


Tabla 3: Especificaciones de los conductores de carga

Módulo de fuga de corriente a tierra	Tamaño de conductor	Tipo de conductor	Par de apriete de los tornillos de sujeción de cables
ELM150HD	2,5–50 mm ² (14–1/0 AWG)	Cu	9 N•m (80 lbs-pulg)
	2,5–50 mm ² (12–1/0 AWG)	Al (trenzado)	9 N•m (80 lbs-pulg)
	2,5–6 mm ² (12–10 AWG)	Al (sólido)	4,5 N•m (40 lbs-pulg)
	50–120 mm ² (1–4/0 AWG)	Cu/Al	17 N•m (150 lbs-pulg)
ELM250JD	25–185 mm ² (4 AWG–350 kcmil)	Cu/Al	25,8 N•m (250 lbs-pulg)

Instalación del alambrado de control

PRECAUCIÓN

PELIGRO DE DAÑO AL EQUIPO

- Al instalar los cables de control, asegúrese de que los hilos de los cables no entren en contacto con las terminales adyacentes.
- La cubierta de accesorios debe ser sujeta con todos los tornillos apretados en el valor de par de apriete indicado. No apriete los tornillos en exceso. No utilice herramientas eléctricas para esto.

El incumplimiento de estas instrucciones puede causar daño al equipo.

NOTA: El cable de control debe ser de un valor nominal de aislamiento igual a o mayor que la tensión de línea en el tablero que se está supervisando. Utilice los cables anaranjados (de 600 V nominales) incluidos para las conexiones del disparo en derivación.

Conexiones del disparo en derivación

NOTA: Se deberá instalar un disparo en derivación en el interruptor automático y conectarse al módulo. El módulo de fuga de corriente a tierra no se puede usar como un dispositivo de alarma solamente debido a que la alimentación de línea debe ser interrumpida para proteger los componentes de la fuente de alimentación del módulo. Si es necesaria la función de alarma solamente, considere la adquisición de relevadores de falla a tierra Vigirex® de Square D®.

1. Afloje los tornillos (A) de la cubierta de accesorios del interruptor automático y retire la cubierta.
2. Instale los cables de control anaranjados (B, incluidos) en el disparo en derivación (C).

NOTA: Tenga cuidado de no pellizcar los cables al instalar las cubiertas. Si es necesario, retire el rectángulo removible de la cubierta de accesorios (D).

3. Dirija los cables como se muestra en la figura.
4. Vuelva a colocar la cubierta y todos los tornillos de la cubierta de accesorios. Apriete los tornillos en 1 N•m (9 lbs-pulg). No exceda las especificaciones de par de apriete.

NOTA: Para confirmar que ha colocado la cubierta de accesorios correcta en el interruptor automático, compruebe que el número de catálogo impreso en la etiqueta de accesorios (A) al costado sea el mismo número que el de la cubierta de accesorios (B).

Figura 12: Instalación de los cables de control

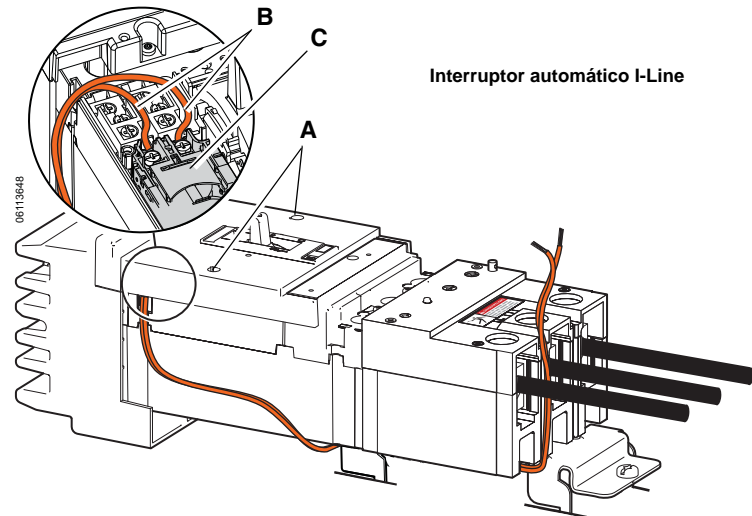


Figura 13: Instalación de los cables de control

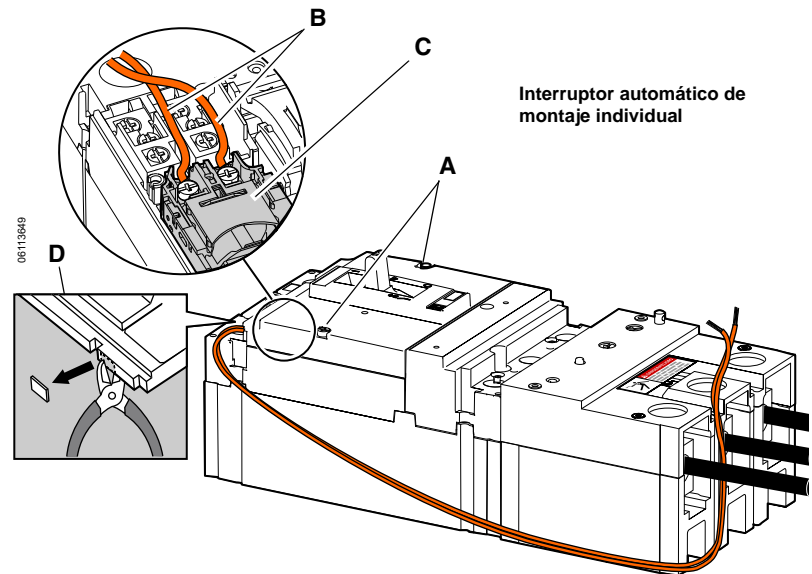
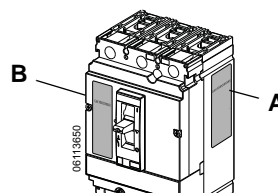


Figura 14: Etiqueta en la cubierta de accesorios

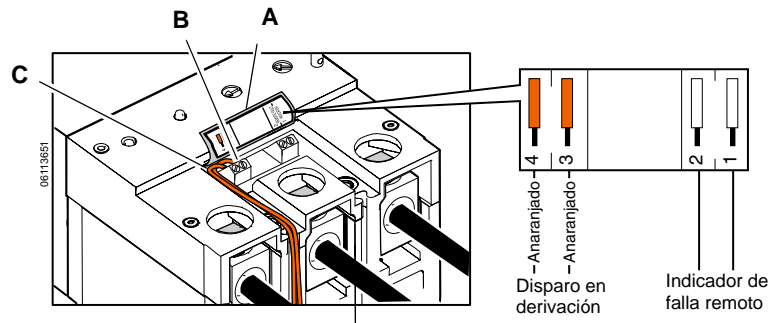


Cables de control para el disparo en derivación

NOTA: Emplee un conductor de 14–18 AWG y desforre una sección del cable de 8 mm (5/16 pulg.).

1. Levante la etiqueta de advertencia (A) del módulo como se muestra en la figura 15.
2. Afloje los tornillos en las terminales (B).
3. Instale los cables de control (C) del módulo como se muestra en la figura. Apriete los tornillos de terminal en 0,60 N•m (5,3 lbs-pulg.).
4. Realice una inspección visual al cable de control para ver si encuentra daños antes de activarlo.
5. Pulse el botón de prueba para probar el disparo en derivación y las conexiones de los cables antes de instalar los cables del indicador de fallas remoto.

Figura 15: Instalación de los cables de control en el disparo en derivación



Alambrado del indicador de falla remoto

El módulo viene con contactos (1a) normalmente abiertos a falta de una falla de fuga a tierra.

Estos pueden iluminar un LED de alarma o ser una entrada para un sistema de supervisión electrónico (PLC, SCADA) para mostrar que el módulo se ha disparado.

NOTA: El módulo de fuga de corriente a tierra no se puede usar como un dispositivo de alarma solamente debido a que la alimentación de línea debe ser interrumpida para proteger los componentes de la fuente de alimentación del módulo. Se deberá instalar un disparo en derivación en el interruptor automático y conectarse al módulo.

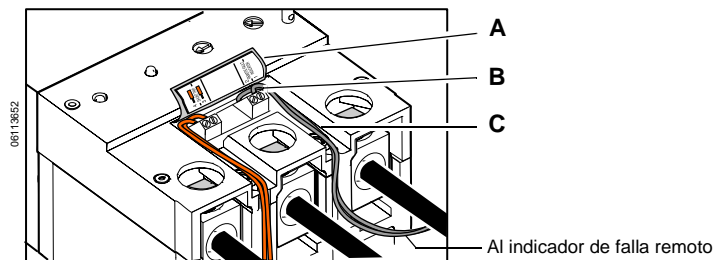
NOTA: Emplee un conductor de 14–18 AWG y desforre una sección del cable de 8 mm (5/16 pulg.). Los cables de control deben ser adecuados para una tensión nominal mayor que o igual a la tensión del equipo.

1. Levante la etiqueta de advertencia (A) del módulo como se muestra en la figura 16.
2. Afloje los tornillos en la terminal (B).
3. Instale los cables (C) del indicador de falla remoto como se muestra en la figura.
4. Realice una inspección visual al cable de control para ver si encuentra daños antes de activarlo.
5. Pulse el botón de prueba para asegurarse de que el indicador de fallas remoto funciona correctamente.

Características del indicador de falla a tierra:

- “Tensión humectante” externa de 125 V_~ (c.d.), 120 V_~ (c.a.) nominal.
- La corriente continua máxima que pasa por las terminales ≤ 25 mA.
- Para la tensión de c.a., el “impulso” durará por lo menos medio ciclo.
- La tensión de c.d. requiere que el sistema de supervisión proporcione un medio de ruptura de corriente.
- Instale un fusible apropiado en el circuito del indicador de fallas remoto.

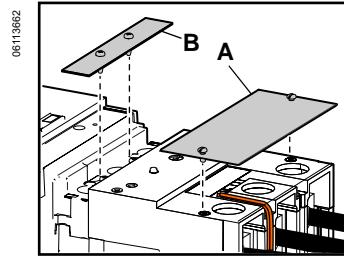
Figura 16: Alambrado del indicador de falla remoto del módulo



Instalación de la cubierta de zapatas

1. Vuelva a colocar la cubierta de zapatas (A) del módulo como se muestra en la figura 17.
2. Instale la cubierta de acceso a las zapatas (B).

Figura 17: Instalación de la cubierta de zapatas del módulo y de la cubierta de acceso a las zapatas

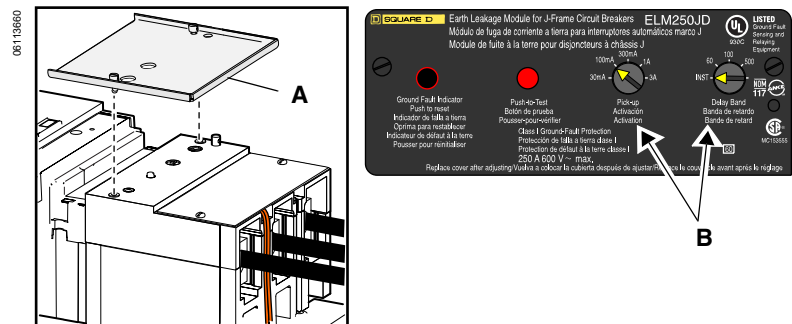


Ajustes

Consulte el diagrama de conexiones eléctricas de su proyecto para determinar los ajustes de activación y retardo.

1. Si está instalada, desmonte la cubierta de la placa frontal (A) como se muestra en la figura 18.
2. Determine los ajustes de activación y banda de retardo (B) en los valores deseados.

Figura 18: Ajustes de activación y retardo



NOTA: Es posible ajustar el retardo en todos los niveles de activación, incluyendo 30 mA (contrario de la práctica del IEC).

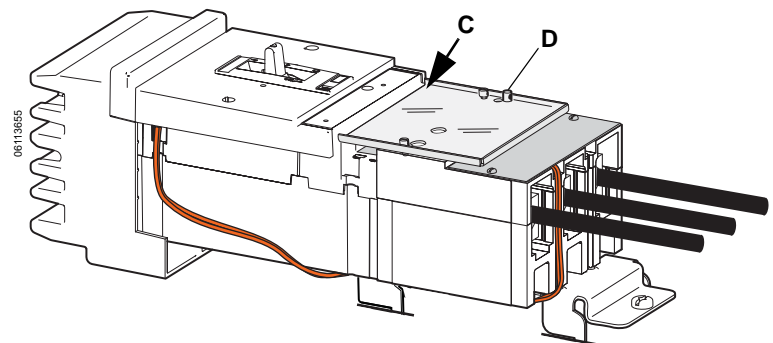
NOTA: Es posible que se produzca un disparo involuntario debido a:

- Armónicos excesivos
- Altas fugas capacitivas a tierra poco comunes

Instalación de la cubierta de la placa frontal

1. Oriente la cubierta de la placa frontal de manera que la leyenda en la parte superior (C) sea la correcta para la aplicación, ELM150HD o ELM250JD. Instale la cubierta y apriete los tornillos de la cubierta.
2. Selle la cubierta de la placa frontal empleando amarres para cables o sellos herméticos (D) para evitar manipulaciones no autorizadas de los ajustes.
3. Coloque la etiqueta titulada "Instrucciones para el sistema de falla a tierra" en el gabinete junto al interruptor automático complementario.

Figura 19: Cubierta de la placa frontal instalada



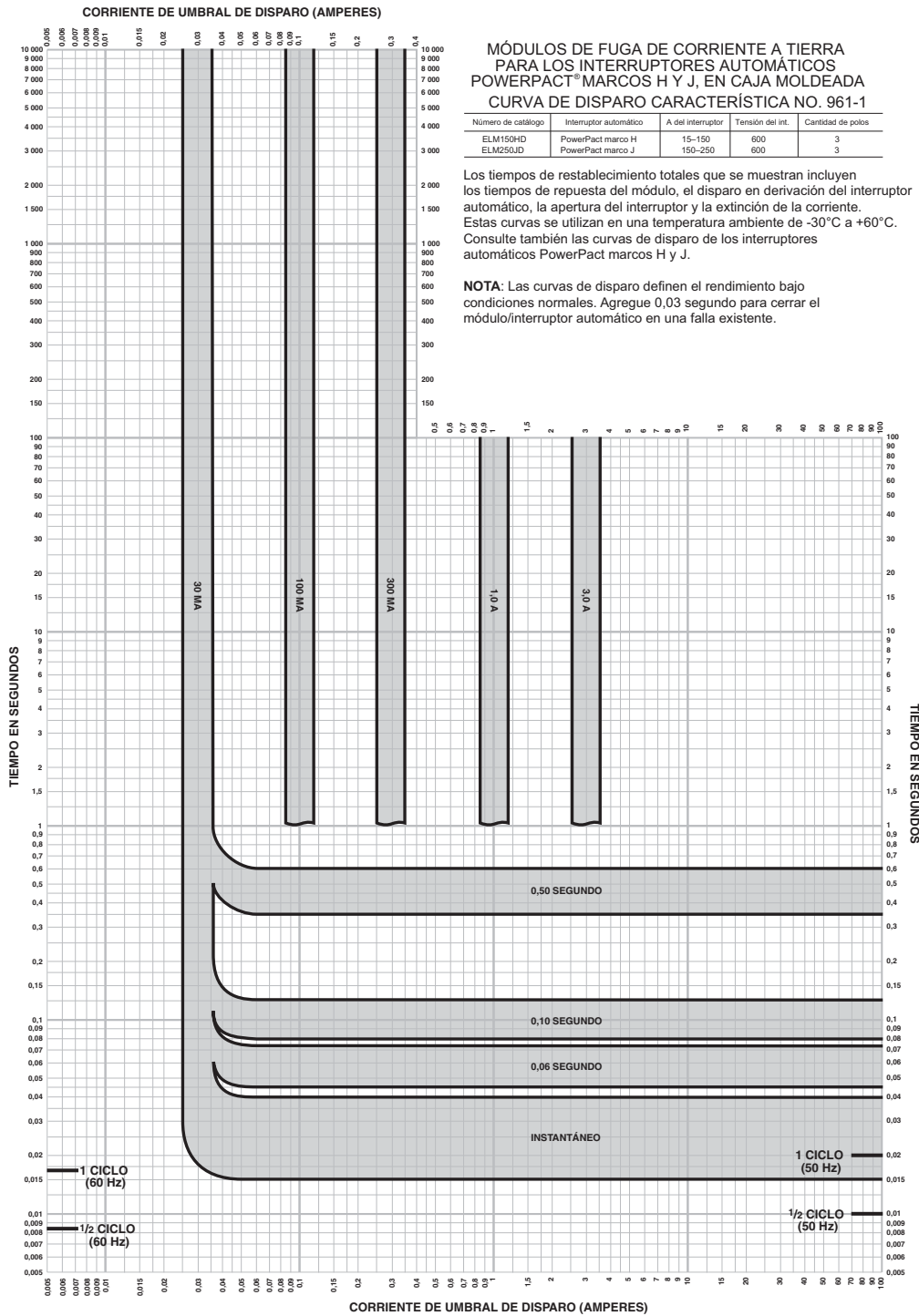
Pruebe el sistema de falla a tierra

El inciso 230-95(c) del Código nacional eléctrico de EUA (NEC) y NOM-001-SEDE requiere que se realicen pruebas a los sistemas de protección contra fallas a tierra antes de ponerlos en servicio.

Consulte el boletín de procedimiento de pruebas en campo (48041-090-XX) incluido con este kit para obtener la información de pruebas.

Curvas de disparo

Figura 20: Curvas de disparo para los módulos ELM150HD y ELM250JD



ESPAÑOL

Importado en México por:
Schneider Electric México, S.A. de C.V.
Calz. J. Rojo Gómez 1121-A
Col. Gpe. del Moral 09300 México, D.F.
Tel. 55-5804-5000
www.schneider-electric.com.mx

Solamente el personal especializado deberá instalar, hacer funcionar y prestar servicios de mantenimiento al equipo eléctrico. Schneider Electric no asume responsabilidad alguna por las consecuencias emergentes de la utilización de este material.

Modules de fuite à la terre ELM150HD et ELM250JD pour disjoncteurs PowerPact® à châssis H et J

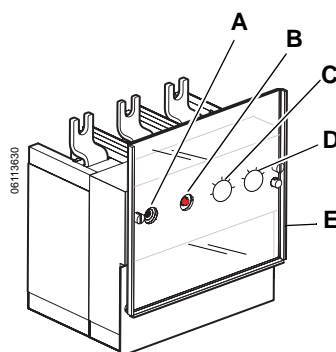
À conserver pour usage ultérieur.

Description

Le module de fuite à la terre est un dispositif de détection des défauts à la terre de bas niveau alimenté du secteur (ligne). Lorsqu'un courant de fuite dépasse le réglage d'activation du module et est présent pendant plus longtemps que la temporisation pré-réglée, un signal est envoyé au déclencheur shunt dans le disjoncteur associé pour le déclencher.

Directives d'application

- **240 à 600 Vac maximum; 60 Hz**
- 3Ø, 3 fils (sans capteur de neutre) ou 1Ø, 2 fils
- Conçu pour systèmes d'alimentation avec mise à la terre directe uniquement
- Les conducteurs de m.à.l.t. du neutre doivent être mis à la terre à l'appareil de service
- Ne pas inverser l'alimentation
- Ne pas faire d'essai de rupture diélectrique sur le circuit avec le module installé; mettre d'abord le disjoncteur à l'arrêt (O).



Indicateur de fuite à la terre (A) : Paraît quand le module envoie un signal de déclenchement au disjoncteur.

Bouton pousser-pour-vérifier (B) : Déclenche le disjoncteur associé.

Réglage d'activation (C) : Établit un courant de fuite à la terre minimum pour initialiser un signal de déclenchement au disjoncteur associé. Les réglages pour les modules ELM150HD et ELM250JD sont 30 mA, 100 mA, 300 mA, 1 A et 3 A.

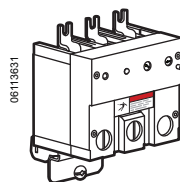
Réglage de la bande de retard (D) : Règle la bande de retard. (Plus le numéro de bande est élevé, plus le retard est long.) Voir les courbes de déclenchement, page 12, pour les caractéristiques exactes du courant et du temps.

Couvercle scellable transparent de la face avant (E) : Couvre la zone de la face avant (expédié en boîte).

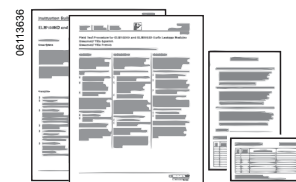
Contenu

- **Module de fuite à la terre (ELM) (1)**
- **Ensemble de directives :**
 - (1) directives d'utilisation
 - (1) procédure d'essai sur place
 - (1) journal d'essai
 - (1) étiquette d'essai de défaut à la terre
- **Kit de cosses (ELM150HD uniquement) :**
 - (3) cosses de 150 A
 - (3) vis de mécanique (1/4-20 x 0,625 po)
 - (3) vis de fixation de fils
- **Fils de contrôle (2) pour le déclencheur shunt,** orange, 18 AWG, 24 po (tension nominale de 600 V)
- **Sac des accessoires :**
 - (1) couvercle de la face avant
 - (1) couvercle d'accès aux cosses du disjoncteur
 - (2) vis de 4-24 x 0,438 po
 - (1) entretoise pour le montage individuel
- **Kit d'écrou de raccordement :**
 - (1) S37444 pour le ELM150HD
 - (1) S37445 pour le ELM250JD

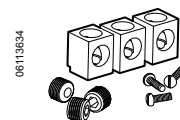
Figure 1 : Contenu du kit



Module de fuite à la terre (ELM)



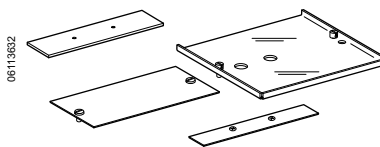
Ensemble de directives



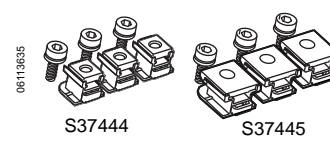
Kit de cosses pour le ELM150HD



Fils de contrôle pour le déclencheur shunt



Contenu du sac d'accessoires



Kit d'écrou de raccordement

Disjoncteurs associés au module

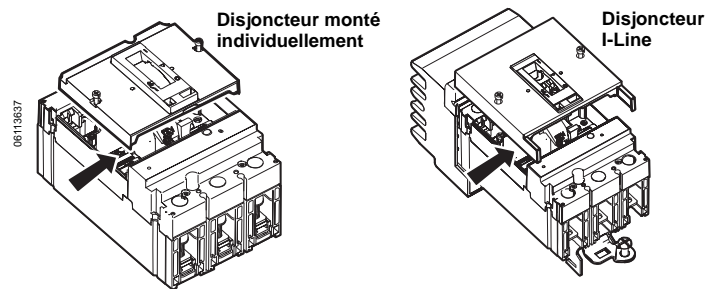
Tableau 1 : Disjoncteur associé

N° de cat. du module	Préfixe	Raccordement de l'extrémité arrêt			Déclencheur shunt (48 Vcc)	
		Raccordement	Exemple, I-Line	Exemple, monté individuellement	Installé sur place	Installé à l'usine
ELM150HD	HD, HG, HJ, HL	Barres-bus	HDA36xxxTBSP	HDM36xxxSP	S29392	Suffixe SP
ELM250JD	JD, JG, JJ, JL					

REMARQUE : Le module ELM ne peut pas être utilisé en tant que dispositif d'alarme uniquement du fait que la puissance du réseau doit être interrompue pour protéger les composants d'alimentation de la puissance du ELM. Si seule la fonction d'alarme est requise, considérer les relais de défaut à la terre Vigirex® de Square D®

REMARQUE : Le disjoncteur associé doit avoir un **déclencheur shunt** S29392 de 48 Vcc installé. Si un déclencheur shunt S29392 n'est pas installé dans le disjoncteur, en installer un en suivant les directives expédiées avec lui.

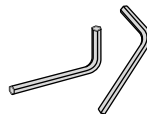
Figure 2 : Emplacement du déclencheur shunt S29392



FRANÇAIS

Outils requis

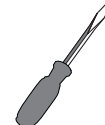
- Clés hex. de 5/32, 3/16, 1/4, 5/16 et 3/8 po
- Tournevis Phillips n° 1 et 2
- Tournevis plat de 2,5 mm (0,1 po) et 6,5 mm (0,25 po)



Clés hex.



Tournevis Phillips



Tournevis plat

Mesures de sécurité

⚠ DANGER

RISQUE D'ÉLECTROCUTION, D'EXPLOSION OU D'ÉCLAIR D'ARC

- Portez un équipement de protection personnelle (ÉPP) approprié et observez les méthodes de travail électrique sécuritaire. Voir NFPA 70E.
- Seul un personnel qualifié doit effectuer l'installation et l'entretien de cet appareil.
- Coupez toutes les alimentations de l'appareil avant d'y travailler.
- Utilisez toujours un dispositif de détection de tension à valeur nominale appropriée pour vous assurer que l'alimentation est coupée.
- Remplacez tous les dispositifs, les portes et les couvercles avant de mettre l'appareil sous tension.

Si ces directives ne sont pas respectées, cela entraînera la mort ou des blessures graves.

Installation

Préparation du disjoncteur associé (I-Line ou monté individuellement)

REMARQUE : Le disjoncteur associé doit avoir les écrous de raccordement installés pour le raccordement des barres-bus. Les écrous de raccordement sont fournis avec le module.

Installation des écrous de raccordement

Si les cosses et conducteurs existants sont installés sur l'extrémité arrêt (O) du disjoncteur, les retirer comme suit :

1. Si installés, retirer les conducteurs (A) de l'extrémité arrêt (O).
2. Retirer les cosses en plaçant un tournevis plat dans la fente (B) de la borne et faire levier pour les extraire.
3. Insérer les écrous de raccordement en alignant le bord recourbé (C) de l'écrou avec le bord recourbé (D) de la fente pour la cosse du disjoncteur et l'emboîtant en place.

4. Commencer à visser les vis de montage (E) des bornes dans les écrous de raccordement (F), en engageant les quelques premiers filets seulement.

Figure 3 : Retrait des cosses existantes (si installées)

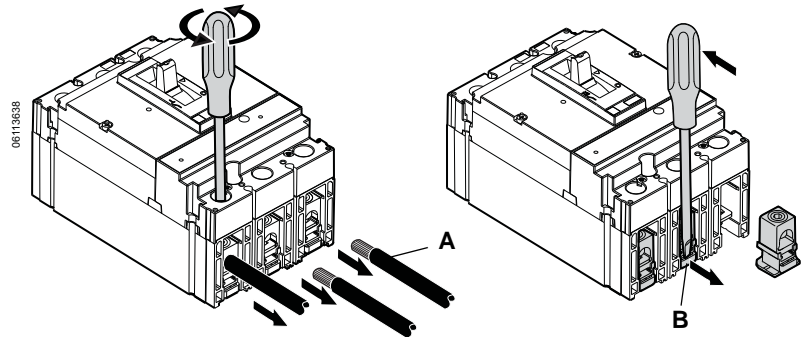


Figure 4 : Installation des écrous de raccordement

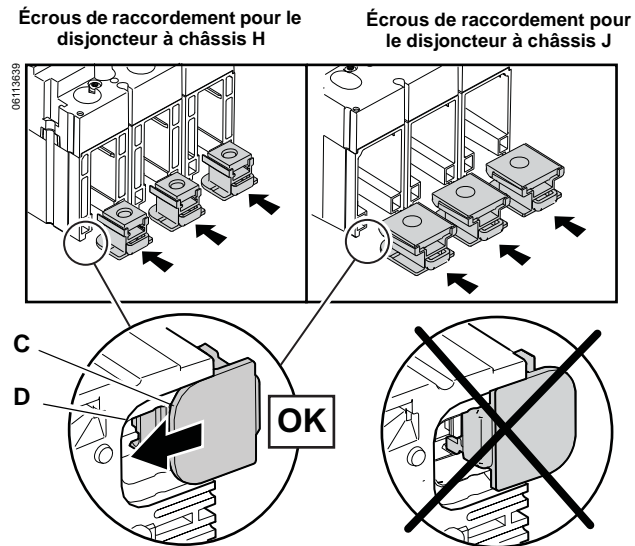
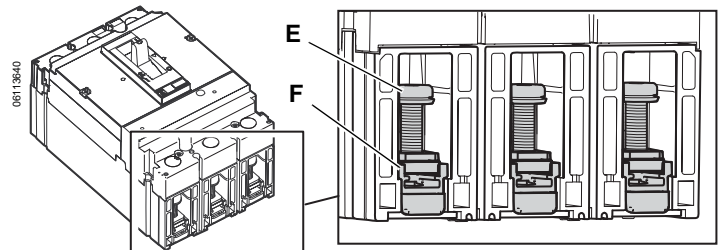


Figure 5 : Installation des vis de montage des bornes



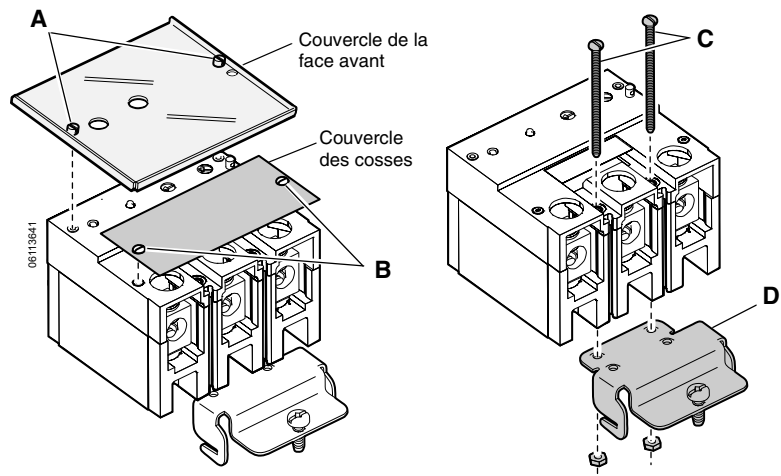
Préparation du module de fuite à la terre

1. Si le couvercle de la face avant est installé, desserrer les vis imperdables (A). Retirer et mettre de côté le couvercle de la face avant.
2. Desserrer les vis imperdables (B). Retirer et mettre de côté le couvercle des cosses.

REMARQUE : Le module est expédié avec le support I-Line installé. Le support I-Line doit être retiré pour les disjoncteurs montés individuellement.

3. Pour les disjoncteurs I-Line, passer à « Installation du module sur un disjoncteur I-Line » à la page 6
4. Pour les installations où les disjoncteurs sont montés individuellement, retirer le support I-Line de la façon suivante :
 - a. Retirer les vis (C) et les mettre de côté pour l'installation du module sur un disjoncteur monté individuellement", point 5 à la page 5.
 - b. Retirer et jeter le support de montage I-Line (D).

Figure 6 : Préparation du module



Installation du module sur un disjoncteur monté individuellement

ATTENTION

RISQUE DE DOMMAGES MATÉRIELS

- Installez le disjoncteur avant d'installer le module.
- Installez le module sur le côté charge du disjoncteur. Ne l'installez pas sur le côté ligne du disjoncteur.

Si ces directives ne sont pas respectées, cela peut entraîner des dommages matériels.

Tableau 2 : Dimensions minimales du coffret

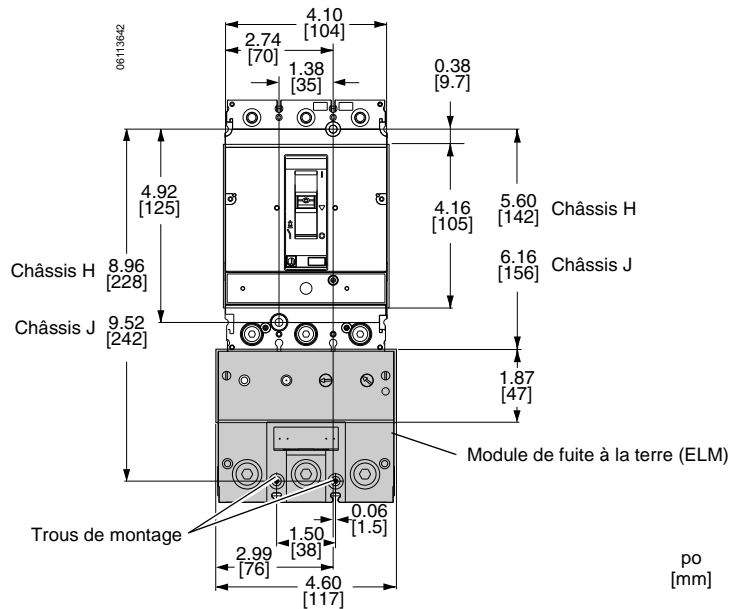
Préfixe du disjoncteur	Val. nom.	Dimensions minimales du coffret (haut. x larg. x profond.)	
		Standard (classé à 80 %)	Classé à 100 % ¹
HD, HG, HJ, HL	15 à 150 A	461 x 219 x 105 mm (18,13 x 8,63 x 4,13 po)	572 x 1575 x 356 mm (62 x 22,5 x 14 po)
JD, JG, JJ, JL	150 à 250 A	724 x 314 x 137 mm (28,5 x 12,38 x 5,38 po)	572 x 1575 x 356 mm (62 x 22,5 x 14 po)

¹ Le module ELM250JD n'est pas certifié pour une utilisation avec des disjoncteurs de 250 A, classé à 100 %.

REMARQUE : Pour des renseignements de montage du disjoncteur supplémentaires, se reporter aux directives expédiées avec le disjoncteur.

1. Installer le disjoncteur monté individuellement dans le coffret. Consulter le tableau 2 pour les dimensions minimales du coffret.
2. Voir la figure 7 pour percer et tarauder les trous de montage du module dans la cuve du coffret.

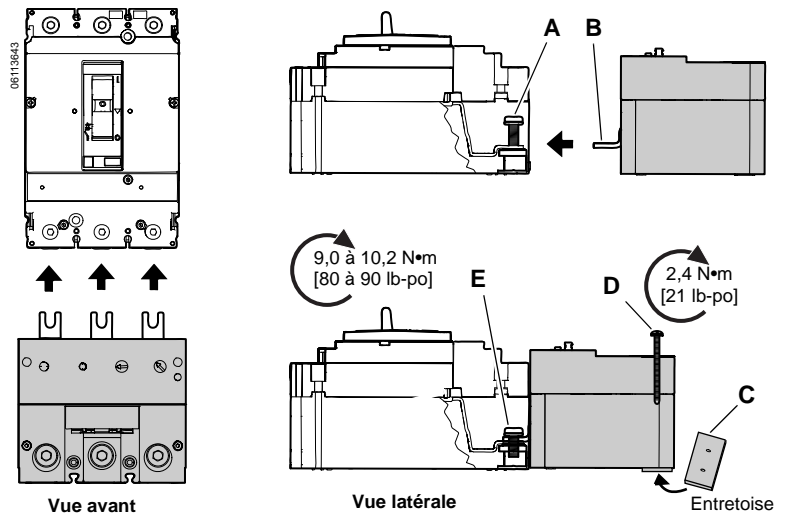
Figure 7 : Montage du module



REMARQUE : Les vis de bornes (A) du disjoncteur doivent avoir seulement quelques filets engagés avant l'installation du module.

3. Aligner les tenons du module (B) avec les vis de bornes du disjoncteur et glisser le module contre le disjoncteur.
4. Placer une entretoise (C, fourni) entre le module et la cuve de montage.
5. Insérer les vis de montage (D), enlevées au point 4-a de la page 4, à travers le module ELM et l'entretoise dans les trous de la cuve de montage. Serrer les vis.
6. Serrer les vis de bornes (E) du disjoncteur.

Figure 8 : Installation du module (disjoncteur monté individuellement)



Installation du module sur un disjoncteur I-Line

ATTENTION

RISQUE DE DOMMAGES MATÉRIELS

Installez le disjoncteur avant d'installer le module.

Si cette directive n'est pas respectée, cela peut entraîner des dommages matériels.

REMARQUE : Les entretoises et les vis de montage fournies avec le module ne sont pas utilisées en installations I-Line.

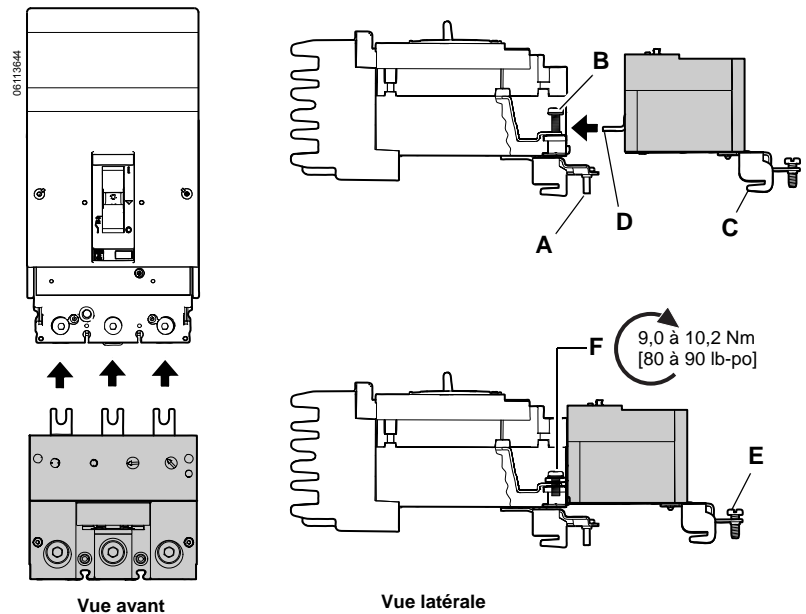
1. Installer l'extrémité ligne du disjoncteur dans le panneau I-Line en suivant les directives du disjoncteur.

REMARQUE : La vis du support (A) du disjoncteur I-Line doit être serrée avant d'installer le module.

REMARQUE : Les vis de bornes du disjoncteur (B) ne doivent avoir que quelques filets engagés avant l'installation du module.

2. Aligner le support de montage I-Line (C) avec les fentes LA se trouvant sur les panneaux de distribution ou de commutation.
3. Aligner les tenons (D) du module avec les vis de bornes du disjoncteur. Glisser le module contre le disjoncteur.
4. Serrer la vis de retenue (E).
5. Serrer les vis de bornes (F) du disjoncteur.

Figure 9 : Installation du module (disjoncteur I-Line)



Câblage du disjoncteur

Remplacement des petites cosses du module ELM150HD (le cas échéant)

REMARQUE : Le module ELM150HD est expédié avec les petites cosses installées. Remplacer les petites cosses par des grandes cosses selon le tableau 3.

1. Retirer les vis de fixation des fils (A) à l'aide d'un tournevis plat.
2. Utiliser une clé hex. de 5/32 pour retirer les vis de montage (B) des cosses existantes. Jeter les cosses et les vis.
3. Se reporter à la figure 11. Utiliser une clé hex. de 1/4 po pour retirer les vis de fixation des fils (C) des grandes cosses (D).
4. Insérer les grandes cosses, avec la rainure anti-rotation (E) en direction du module.

REMARQUE : Les nouvelles cosses 4/0 doivent être fixées à l'aide des vis de montage à tête tronconique fendue (F) de 1/4-20 fournies. Ne pas utiliser les vis provenant des anciennes cosses 1/0 pour monter les nouvelles cosses.

5. Fixer les grandes cosses à l'aide des vis de montage à tête tronconique (F) de cosses fournies dans le kit. Serrer au couple de 5,6 N•m (50 lb-po).
6. Installer partiellement les vis de fixation des fils (G) antérieurement retirées dans les grandes cosses.

Installation des conducteurs de charge

Insérer les conducteurs dans les cosses du module et serrer les vis de fixation des fils des cosses. Voir le tableau 3 pour les spécifications des conducteurs de charge.

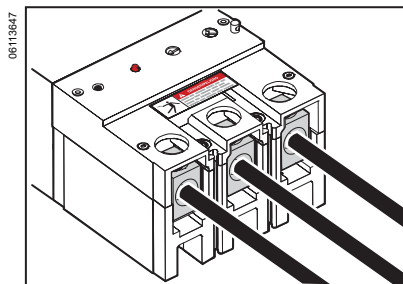


Figure 10 : Retrait des petites cosses (ELM150HD - le cas échéant)

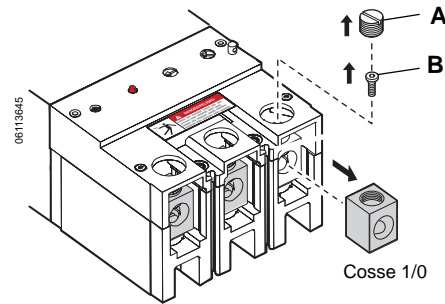


Figure 11 : Installation des grandes cosses

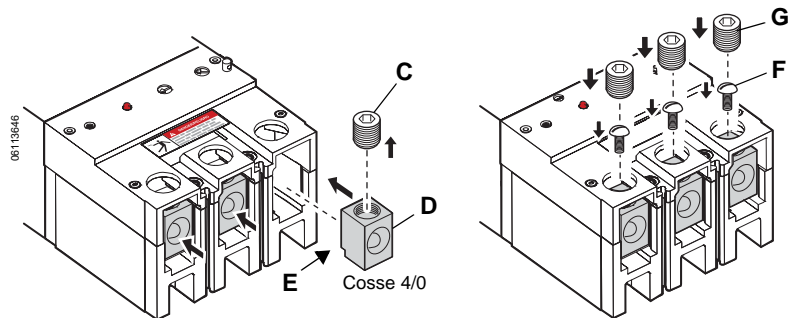


Tableau 3 : Spécifications des conducteurs de charge

Module de fuite à la terre		Calibre du fil	Type de fil	Couple de la vis de fixation du fil
ELM150HD	Petite cosse	14-1/0 AWG (2,5-50 mm ²)	Cu	9 N•m (80 lb-po)
		12-1/0 AWG (2,5-50 mm ²)	Al (toronné)	9 N•m (80 lb-po)
	Grande cosse	12-10 AWG (2,5-6 mm ²)	Al (rigide)	4,5 N•m (40 lb-po)
ELM250JD		1-4/0 AWG (50-120 mm ²)	Cu/Al	17 N•m (150 lb-po)
		4 AWG-350 kcmil (25-185 mm ²)	Cu/Al	25,8 N•m (250 lb-po)

Raccordements du câblage de contrôle

ATTENTION

RISQUE DE DOMMAGES MATÉRIELS

- Lors de l'installation des fils de contrôle, assurez-vous que les torons des fils ne touchent pas les bornes adjacentes.
- Le couvercle des accessoires doit être fixé avec les vis serrées au couple précisé. Ne dépassez pas les spécifications de couple. N'utilisez pas un outil électrique pour serrer les vis.

Si ces directives ne sont pas respectées, cela peut entraîner des dommages matériels.

REMARQUE : Le câblage de contrôle doit avoir une valeur nominale d'isolation supérieure ou égale à la tension de ligne dans le panneau à contrôler. Utiliser les fils orange fournis (tension nominale de 600 V) pour les raccordements du déclencheur shunt.

Raccordements du déclencheur shunt

REMARQUE : Un déclencheur shunt doit être installé dans le disjoncteur et raccordé au module ELM. Le module ELM ne peut pas être utilisé en tant que dispositif d'alarme uniquement du fait que la puissance du réseau doit être interrompue pour protéger les composants d'alimentation de la puissance du ELM. Si seule la fonction d'alarme est requise, considérer les relais de défaut à la terre Vigirex® de Square D®.

1. Desserrer les vis (A) du couvercle des accessoires du disjoncteur et retirer le couvercle.
2. Installer les fils de contrôle orange (B, fournis) sur le déclencheur shunt (C).

REMARQUE : Faire attention de ne pas pincer les fils lors de l'installation des couvercles. Si nécessaire, retirer la découpe des fils (D) du couvercle des accessoires du disjoncteur monté individuellement.

3. Acheminer les câbles comme indiqué.
4. Replacer le couvercle des accessoires et toutes les vis du couvercle. Serrer les vis du couvercle à un couple de 1 N•m (9 lb-po). Ne pas dépasser les spécifications de couple.

Figure 12 : Raccordements du câblage de contrôle

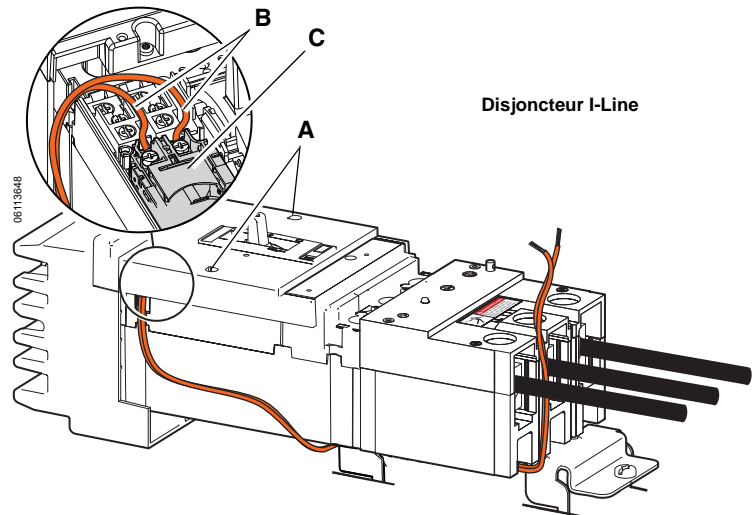
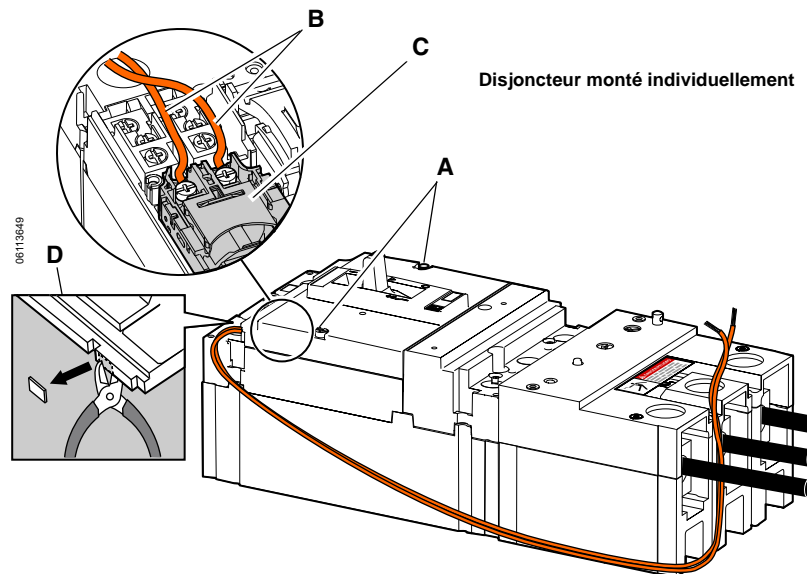
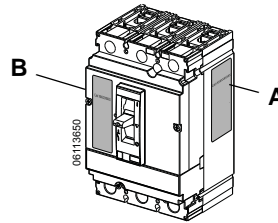


Figure 13 : Raccordements du câblage de contrôle



REMARQUE : Pour s'assurer que le couvercle des accessoires et le disjoncteur correspondent, vérifier si le numéro de catalogue imprimé sur l'étiquette d'accessoires latérale (A) correspond au numéro de catalogue imprimé sur le couvercle des accessoires (B).

Figure 14 : Étiquette du couvercle des accessoires

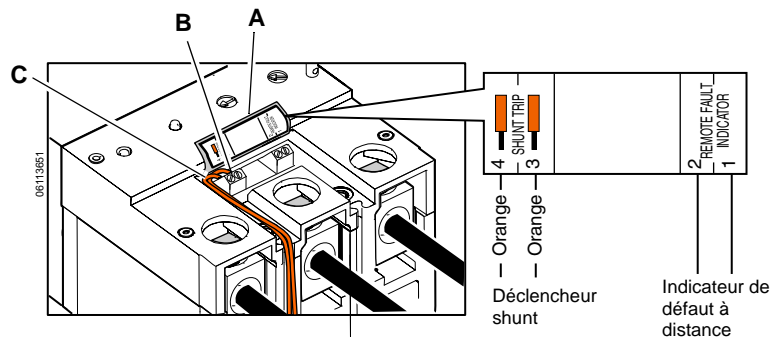


Câblage de contrôle du déclencheur shunt

REMARQUE : Utiliser du fil de calibre 14 à 18 AWG et le dénuder sur 8 mm (5/16 po).

1. Soulever l'étiquette d'avertissement (A) du module comme indiqué à la figure 15.
2. Desserrer les vis dans les bornes (B).
3. Installer le câblage de contrôle du module (C) comme indiqué. Serrer les vis de bornes à un couple de 0,60 N•m (5,3 lb-po).
4. S'assurer que le fil de contrôle n'est pas endommagé avant de mettre sous tension.
5. À l'aide du bouton pousser-pour-vérifier, essayer le déclencheur shunt et le câblage avant d'installer le câblage de l'indicateur de défaut à distance.

Figure 15 : Installation du câblage de contrôle du déclencheur shunt



Câblage de l'indicateur de défaut à distance

Le module fournit des contacts (1a) qui sont normalement ouverts en absence de défaut de fuite à la terre.

Ces contacts peuvent allumer un voyant DÉL ou servir d'entrée à un système de contrôle électronique (PLC, SCADA) pour montrer que le module s'est déclenché.

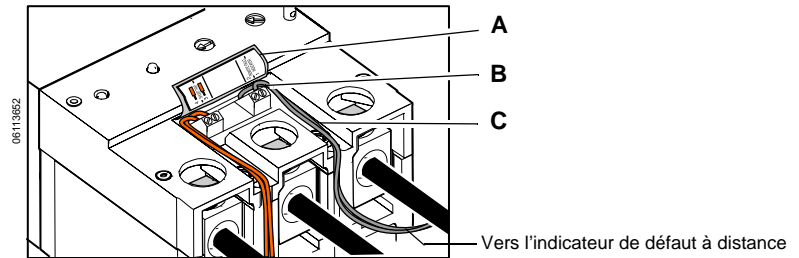
Caractéristiques de l'indicateur de défaut à distance :

- « Tension mouilleuse » externe de 125 Vcc, tension nominale de 120 Vca.
- Courant continu maximum passant par les bornes ≤ 25 mA.
- Pour une tension ca, " l'impulsion " persistera pendant un minimum d'un demi-cycle.
- Une tension cc nécessite que le système de contrôle fournisse le moyen de couper le courant.
- Un fusible adéquat doit être installé sur le circuit de l'indicateur de défaut à distance.

REMARQUE : Le module ELM ne peut pas être utilisé en tant que dispositif d'alarme uniquement du fait que la puissance du réseau doit être interrompue pour protéger les composants d'alimentation de la puissance du ELM. Un déclencheur shunt doit être installé dans le disjoncteur et raccordé au module ELM.

REMARQUE : Utiliser du fil de calibre 14 à 18 AWG et le dénuder sur 8 mm (5/16 po). Les fils de contrôle doivent avoir une tension nominale supérieure ou égale à celle de l'appareil.

Figure 16 : Câblage de l'indicateur de défaut à distance du module

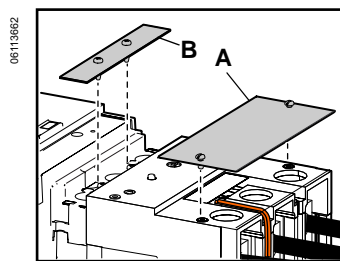


1. Soulever l'étiquette d'avertissement (A) du module comme montré à la figure 16.
2. Desserrer la vis dans la borne (B).
3. Installer le câblage (C) de l'indicateur de défaut à distance comme indiqué.
4. S'assurer que le fil de contrôle n'est pas endommagé avant de mettre sous tension.
5. Utiliser le bouton pousser-pour-vérifier pour s'assurer que l'indicateur de défaut à distance fonctionne.

Installation du couvercle de cosses

1. Remettre en place le couvercle de cosses (A) du module comme indiqué à la figure 17
2. Installer le couvercle d'accès des cosses (B).

Figure 17 : Installation du couvercle de cosses du module et du couvercle d'accès des cosses



Réglages

Se reporter au schéma électrique de votre projet pour déterminer les ajustements d'enclenchement et de la bande de retard.

1. S'il est installé, retirer le couvercle de la plaque avant (A) comm indiqué à la figure 18.
2. Régler les ajustements d'enclenchement et de la bande de retard (B) aux valeurs désirées.

REMARQUE : Il est possible de régler la bande de retard à tous les niveaux d'enclenchement, y compris 30 mA (*contrairement aux pratiques IEC*).

REMARQUE : Un déclenchement intempestif peut se produire par suite de :

- Excès d'harmoniques
- Fuite à la terre de capacitance inhabituellement élevée

Installation du couvercle de la face avant

1. Orienter le couvercle de la face avant de sorte que l'écriture sur le dessus (C) corresponde à l'application (ELM150HD ou ELM250JD). Installer le couvercle et serrer les vis du couvercle.
2. Sceller le couvercle de plaque avant à l'aide d'attache-fils ou de sceaux (D) afin d'empêcher toute modification indésirable des réglages.
3. Placer l'étiquette « Directives pour le système de défaut à la terre » sur le coffret, près du disjoncteur associé.

Vérifier le système de défaut à la terre

Le paragraphe 230-95(c) du Code national de l'électricité (NEC; É.-U.) requiert que tous les systèmes de protection contre les défauts à la terre soient vérifiés avant d'être mis en service.

Se reporter à la procédure d'essai sur place 48041-090-XX fournie avec ce kit pour les renseignements sur les essais.

Figure 18 : Réglage d'enclenchement et de retard

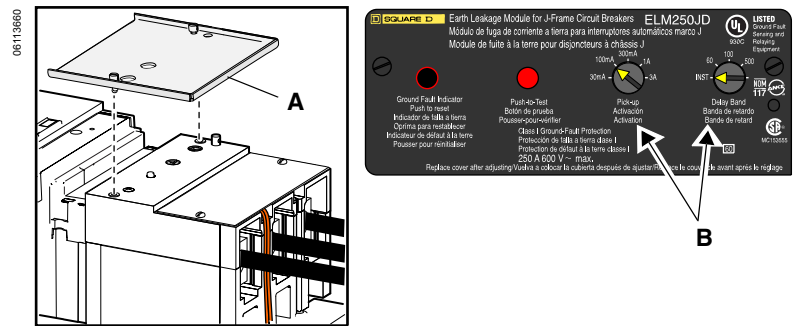
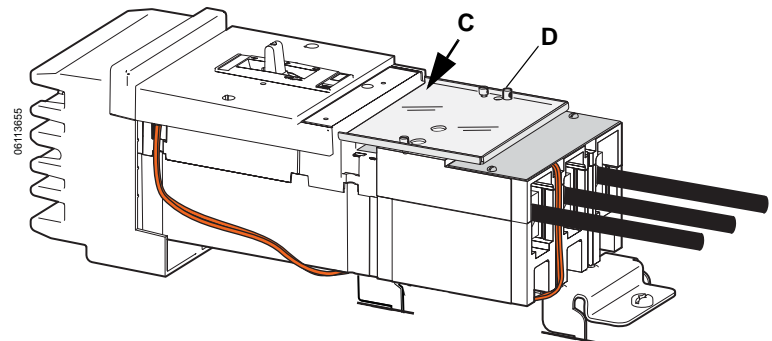
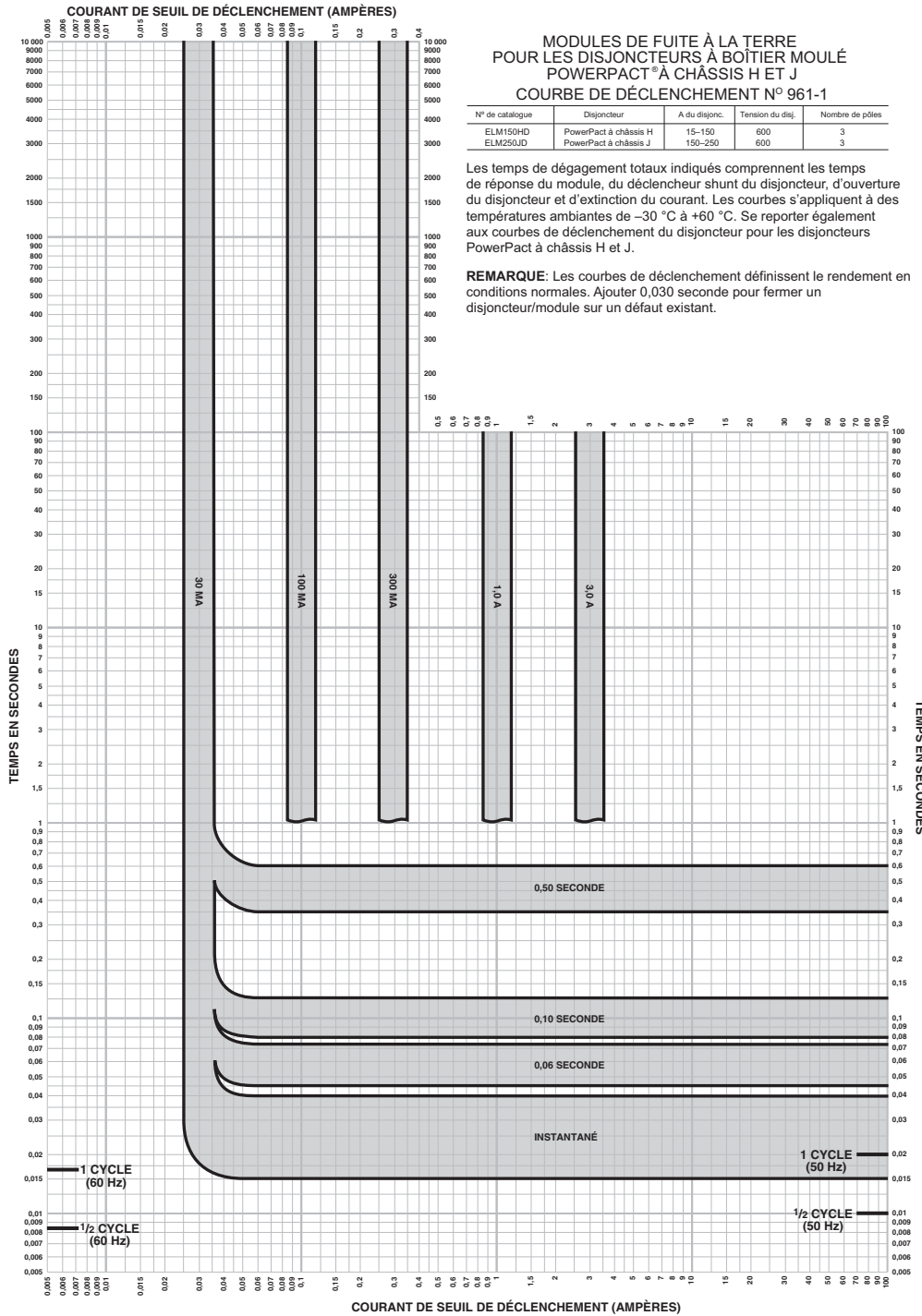


Figure 19 : Couvercle de la face avant installé



Courbes de déclenchement

Figure 20 : Courbe de déclenchement de modules ELM150HD et ELM250JD



FRANÇAIS

Schneider Electric Canada, Inc.
19 Waterman Avenue
Toronto, Ontario M4B 1Y2
1-800-565-6699
www.schneider-electric.ca

Seul un personnel qualifié doit effectuer l'installation, l'utilisation, l'entretien et la maintenance du matériel électrique. Schneider Electric n'assume aucune responsabilité des conséquences éventuelles découlant de l'utilisation de cette documentation.