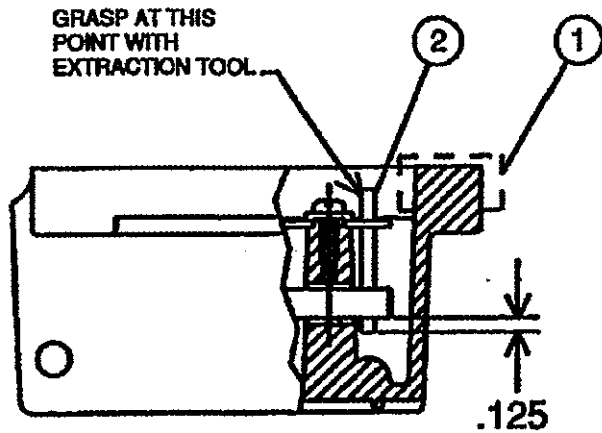




Class 9998 Type HW-1 and HR-2 Handle Kit

For field replacement in Class 2510 Type FW, KW, FR AND KR devices in NEMA 4 and NEMA 7/9 enclosures.

INSTALLATION INSTRUCTIONS



1. Remove cover from base.
2. Place small piece of rubber or equivalent (Item #1) over flange surface. *(Customer provided)
3. Grasp spring pin (Item #2) with tool and extract using flange surface for leverage.
4. Pull out old handle assembly and "O" Ring (FW and KW only).
5. Apply small amount of grease (Lubriplate #105 or equivalent) to "O" Ring provided (FW and KW only) and install into cover.
6. Apply small amount of grease to shaft of new handle assembly and install.
7. Install spring pin provided by tapping lightly with hammer until pin extends approximately 1/8" through shaft.
8. Install cover such that operating lever in cover engages with toggle handle of device inside enclosure bottom.

CAUTION :

* MACHINED FLANGE SURFACE ON ALL TYPE FR AND KR DEVICES AND GASKETED SURFACE ON ALL TYPE FW AND KW DEVICES MUST BE PROTECTED TO INSURE INTEGRITY OF ENCLOSURE.

SQUARE D