

## Main

Product or component type	Common mode output filter
Range compatibility	Altivar Process ATV900 Altivar Process ATV600
Value of inductance	146.4 $\mu$ H
Product compatibility	Variable speed drive ATV630 wall mount, 0.75...11 kW, 380...480 V Variable speed drive ATV650 wall mount, 0.75...11 kW, 380...480 V Variable speed drive ATV930 wall mount, 0.75...11 kW, 380...480 V Variable speed drive ATV950 wall mount, 0.75...11 kW, 380...480 V Variable speed drive ATV630 wall mount, 0.75...5.5 kW, 200...240 V Variable speed drive ATV930 wall mount, 0.75...5.5 kW, 200...240 V

## Complementary

Maximum motor cable length	492.13 Ft (150 m)(unshielded cable)0.75...11 kW 380...480 V 1 492.13 Ft (150 m)(shielded cable)0.75...4 kW 380...480 V 1 984.25 Ft (300 m)(shielded cable)5.5...11 kW 380...480 V 2 1640.42 Ft (500 m)(unshielded cable)0.75...4 kW 380...480 V 2 1640.42 Ft (500 m)(unshielded cable)5.5...11 kW 380...480 V 1 VW3A5502 1640.42 Ft (500 m)(shielded cable)0.75...4 kW 380...480 V 2 3280.84 Ft (1000 m)(unshielded cable)0.75...5.5 kW 380...480 V 1 VW3A5502 492.13 Ft (150 m)(unshielded cable)0.75...5.5 kW 200...240 V 1 492.13 Ft (150 m)(shielded cable)0.75...4 kW 200...240 V 1 984.25 Ft (300 m)(shielded cable)5.5 kW 200...240 V 2 1640.42 Ft (500 m)(unshielded cable)0.75...4 kW 200...240 V 2 1640.42 Ft (500 m)(unshielded cable)5.5 kW 200...240 V 1 VW3A5502 1640.42 Ft (500 m)(shielded cable)0.75...4 kW 200...240 V 2 3280.84 ft (1000 m)(unshielded cable)0.75...4 kW 200...240 V 1 VW3A5502
Saturation current	1.1 A
Internal diameter	1.46 in (37.1 mm) 3-phase cable inside 1.46 in (37.1 mm) PE cable outside
Electrical insulation class	Class I
Mechanical robustness	Shocks class 3M4 IEC 60721-3-3 Vibrations class 3M4 IEC 60721-3-3
Switching frequency	$\leq$ 10 kHz
Maximum output frequency	100 Hz
Height	4.69 in (119.2 mm)
Width	2.60 in (66 mm)
Depth	2.60 in (66 mm)
Net Weight	0.97 lb(US) (0.44 kg)

## Environment

Relative humidity	5...95 % without condensation
Ambient air temperature for operation	5...140 °F (-15...60 °C)
Ambient air temperature for storage	-40...158 °F (-40...70 °C)

## Ordering and shipping details

Category	22276 - ATV930 FRAMES 1 & 2
Discount Schedule	CP4E
GTIN	00785901013761
Nbr. of units in pkg.	1
Package weight(Lbs)	1 lb(US) (0.45 kg)
Returnability	No

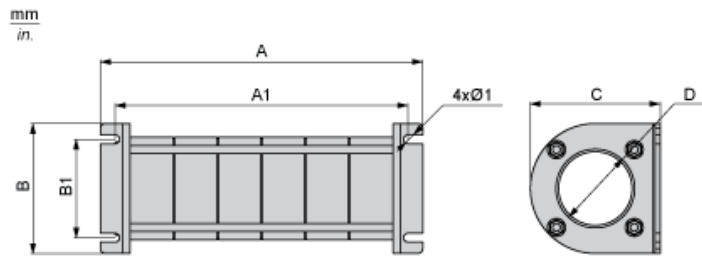
## Packing Units

Unit Type of Package 1	PCE
Package 1 Height	3.94 in (10 cm)
Package 1 width	4.53 in (11.5 cm)
Package 1 Length	8.66 in (22 cm)
Unit Type of Package 2	P06
Number of Units in Package 2	1
Package 2 Weight	20.07 lb(US) (9.103 kg)
Package 2 Height	19.69 in (50 cm)
Package 2 width	31.50 in (80 cm)
Package 2 Length	23.62 in (60 cm)

## Offer Sustainability

California proposition 65	WARNING: This product can expose you to chemicals including: Lead and lead compounds, which is known to the State of California to cause cancer and birth defects or other reproductive harm. For more information go to <a href="http://www.P65Warnings.ca.gov">www.P65Warnings.ca.gov</a>
REACH Regulation	<a href="#">REACH Declaration</a>
REACH free of SVHC	Yes
EU RoHS Directive	Pro-active compliance (Product out of EU RoHS legal scope) <a href="#">EU RoHS Declaration</a>
Toxic heavy metal free	Yes
Mercury free	Yes
RoHS exemption information	<a href="#">Yes</a>
China RoHS Regulation	<a href="#">China RoHS Declaration</a>

Dimensions



Dimensions in mm

A	B	A1	B1	Ø1	C	D
119.2	66	104.2	50	4.5	66	37.1

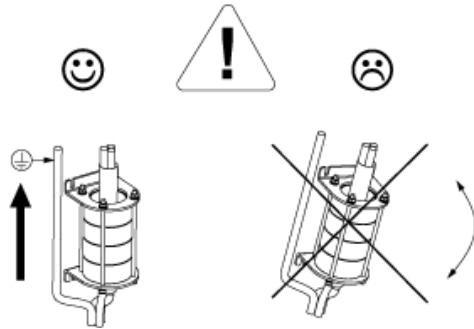
Dimensions in in.

A	B	A1	B1	Ø1	C	D
4.7	2.6	4.1	2.0	0.18	2.6	1.5

---

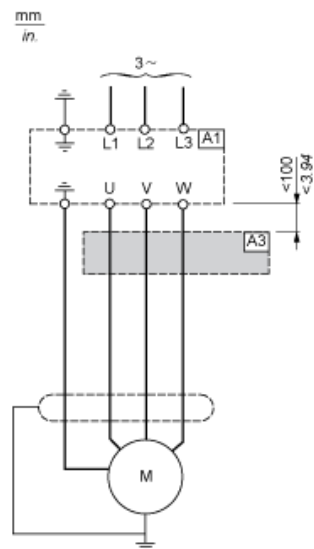
Mounting Recommendations

---



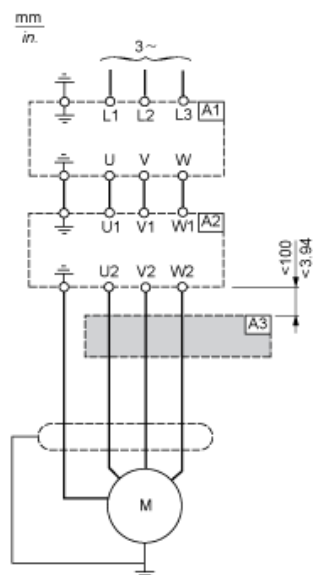
Recommended Schema

Connection at the Output Terminals of the Drive



- A1 : Drive
- A3 : Common mode filter

Connection at the Output Terminals of the dv/dt Filter or Sinus Filter



- A1 : Drive
- A2 : dv/dt or sinus filter
- A3 : Common mode filter