

11" 280mm

## ASSEMBLY INSTRUCTIONS



27" wide with shoe organizer  
**storage closet**

ITEM # WRD-01270

**DIMENSIONS**

62.2"H x 27.6"W x 18.1"D  
(158 cm x 70 cm x 46 cm)

**IMPORTANT! Plead read prior to use.** This Honey-Can-Do 27" Wide Storage Closet is designed for indoor use. Please do not over-load. To prevent tipping, we recommend that you evenly distribute the weight throughout the unit. Please keep top hanger bar horizontal when in use.

Please do not use storage closet for anything other than its intended use. Please do not allow children, spouses or pets to hang from or hide in storage closet. Please keep away from heat sources such as heaters and fireplaces.

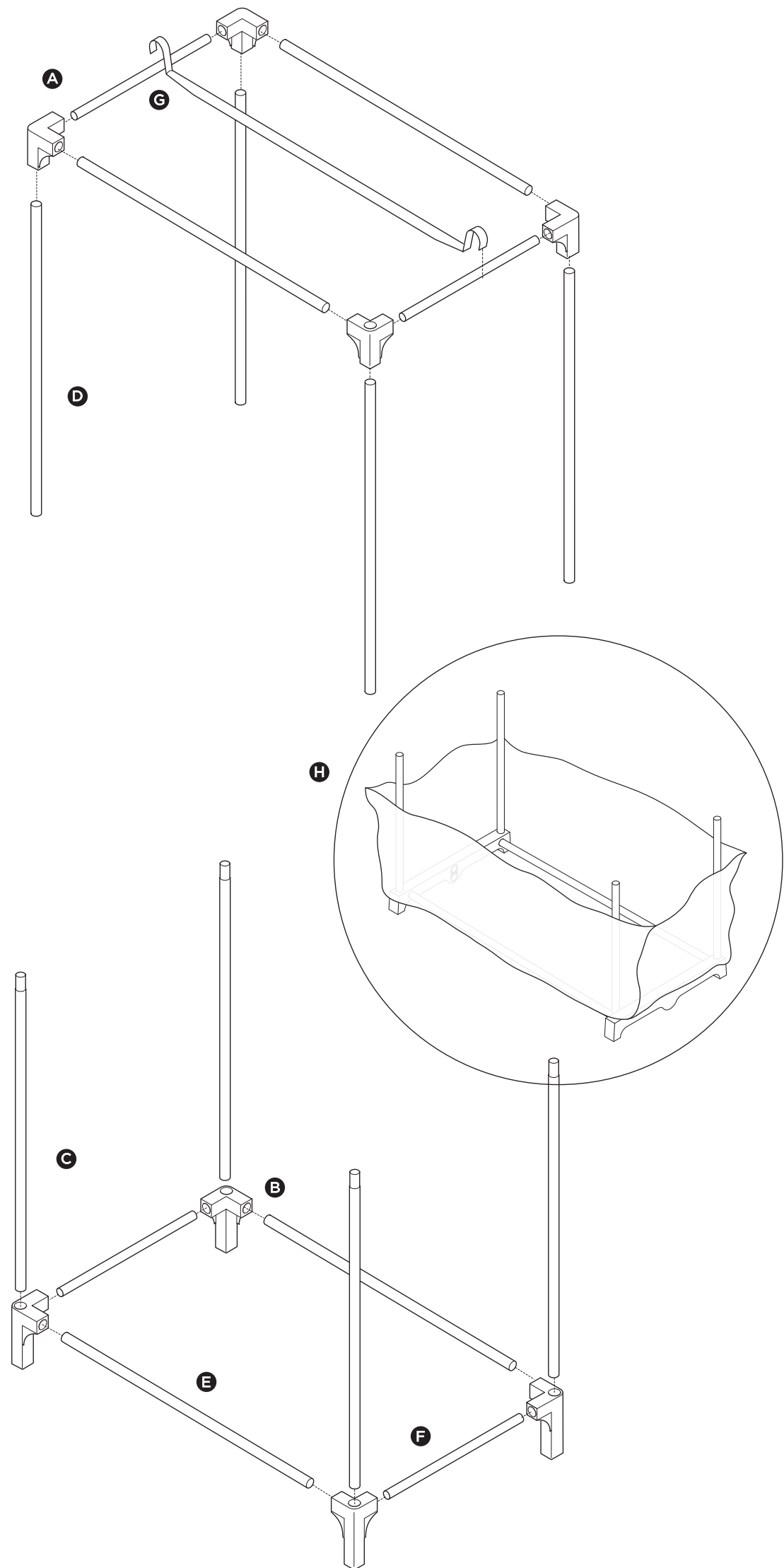
(QTY) DESCRIPTION	PART	ILLUSTRATION
(4) top connectors	<b>A</b>	
(4) bottom connectors	<b>B</b>	
(4) bottom uprights	<b>C</b>	
(4) top uprights	<b>D</b>	
(4) long base bars	<b>E</b>	
(4) short base bars	<b>F</b>	
(1) support bar	<b>G</b>	
(1) cover	<b>H</b>	

### INSTRUCTIONS

Thank you for purchasing a Honey-Can-Do Storage Closet. Please follow these step-by-step instructions. Please plan to spend about 15 minutes assembling your new storage closet. You can do it!

1. Begin by assembling the base of your storage closet. Insert 1 long base bar (**E**) into end of a side hole in bottom connector (**B**). Be sure the leg of the closet is facing down. Insert 1 short base bar (**F**) into the second side hole in the bottom connector (**B**). Repeat with all four bottom connectors until the base is formed as shown.
2. Insert 4 bottom uprights (**C**) into the holes on the bottom connectors (**B**). Unzip the cover (**H**) and carefully thread the bottom holes through the bottom uprights (**B**). Place cover (**H**) half-way down the bottom uprights (**B**). Pull the top of the cover (**H**) back to expose the uprights.
3. Secure 4 top uprights (**D**) over the tapered ends of the bottom uprights (**C**). Press firmly.
4. Almost done! Next, assemble top of your storage closet. Insert 1 long base bar (**E**) into end of a side hole in top connector (**A**). Be sure the flat end of the connector is facing up. Insert 1 short base bar (**F**) into the second side hole in the top connector (**A**). Repeat with all four bottom connectors until the base is formed as shown. Place hooks on the support bar (**G**) on the short base bars (**F**).
5. Finally, gently lift the cover (**H**) over the top of the frame. Align the corners of the cover (**H**) with the frame corners. Once aligned and secure, slide the bottom of the cover (**H**) evenly to the base of the frame. Enjoy your Storage Closet from Honey-Can-Do!

For assistance, please contact us at [info@honeycando.com](mailto:info@honeycando.com) or 877.2.I.Can.Do.



17"  
432mm

#### LIMITED LIFETIME WARRANTY

This product is warranted to be free of defects in material and workmanship for as long as the consumer owns the product. At Honey-Can-Do's option, defective product will be repaired, replaced or substituted with a product of equal value. For warranty service, e-mail Honey-Can-Do at [warranties@honeycando.com](mailto:warranties@honeycando.com) or call at (877) 242-2636. You may also contact Honey-Can-Do at 5750 McDermott Drive, Berkeley, IL 60163. Do not dispose of the defective item until or unless

you are specifically asked to do so by Honey-Can-Do as we may require return of the defective item. Honey-Can-Do shall in no event be liable for any incidental or consequential damages. Some states do not allow the exclusion or limitation of incidental or consequential damages, so the above exclusion may not apply to you. This warranty gives you specific legal rights, and you may also have other rights, which may vary from state to state.

honey-can-do international

5750 McDermott Drive, Berkeley, IL 60163 USA

tele 877.242.2636

fax 708.240.8198

[www.honeycando.com](http://www.honeycando.com)