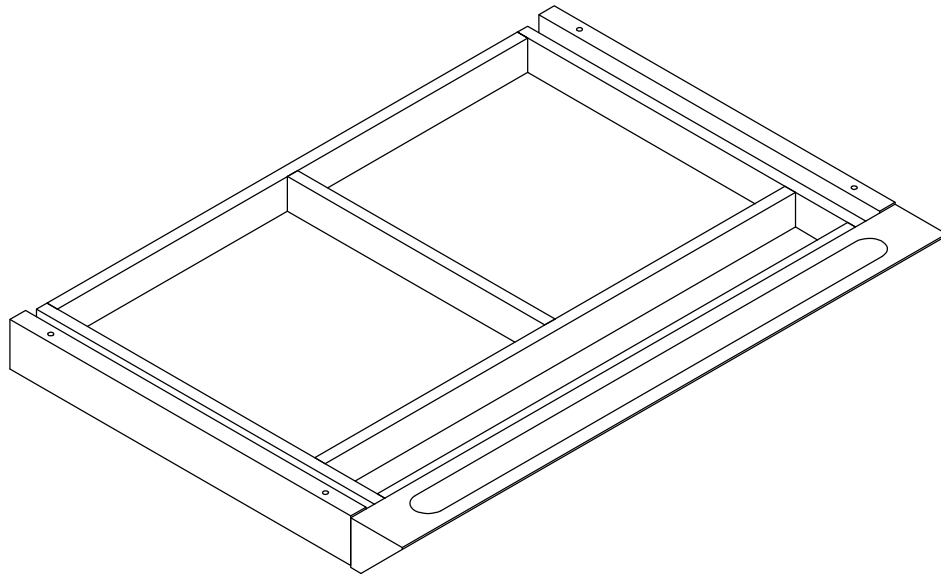




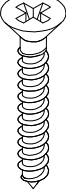
Tiffany Industries™
A MAYLINÉ GROUP COMPANY

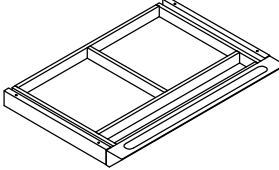
Center Drawer Model No. ACD



ASSEMBLY INSTRUCTIONS
CALL 1-800-822-8037 FOR ASSISTANCE

PARTS LIST

| Name | Part | Qty. | Spare Qty |
|-----------|--|----------|-----------|
| A* |  HB REALS050 Ø5 x 70mm | 4 | 1 |

| Name | Part | Qty. |
|----------|---|----------|
| B |  ACD Center Drawer | 1 |

*For Individual Items, Order By Part Number.

1

Position Drawer (B) under worksurface in desired location. Using Screws (A) attach Drawer (B) to worksurface.

