

ST16D
ST24D

SMARTMOUNT[®] Display-Specific Tilt Wall Mount for up to 71" Displays

The Dedicated line provides display-specific solutions for mounting medium to large sized displays. It is compatible with Peerless-AV's comprehensive inventory of display-specific PLP adaptor plates, ensuring a precise fit for almost any display. This wall mount offers tilt adjustment of +15°/-5° for perfect viewing options. Additionally, installers can choose from either a wall plate for 16" stud centers, perfect for any portrait-style applications, or a more versatile wall plate for 16"-24" stud centers. All models ship pre-assembled for fast and easy installation.



FEATURES

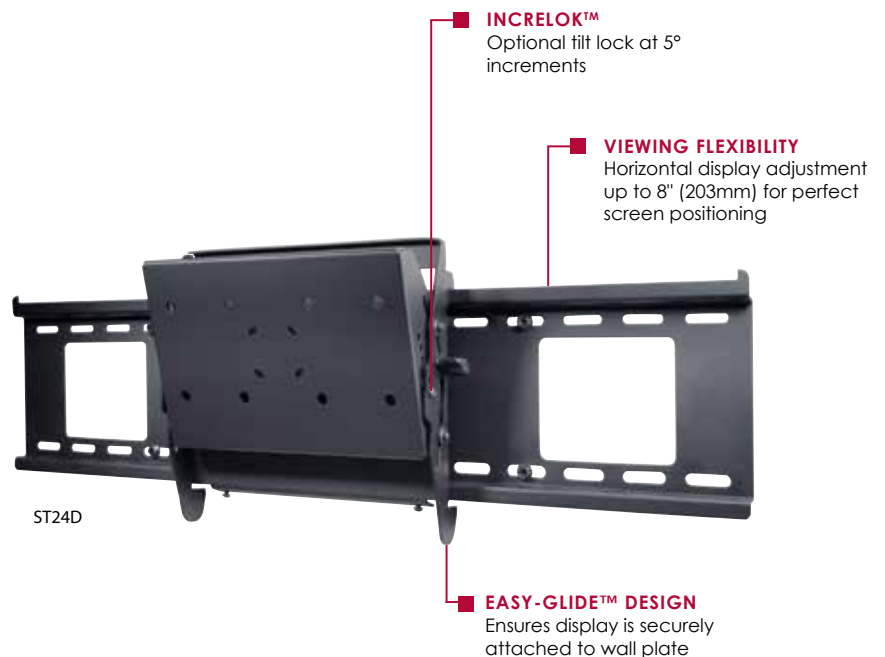
- Tilt allows adjustment of +15°/-5° without the use of tools
- Included IncreLok™ feature offers fixed tilt lock in 5° increments when used
- Horizontal display adjustment up to 8" (203mm) for centering display on wall
- Easy-Glide™ design ensures display is securely attached to wall plate
- Choose from 16" (406mm) only or 16"-24" (406-610mm) stud center wall plate
- Fits any display-specific PLP or LC adaptor plate
- Model ST16D ships with 19.25" (489mm) wide wall plate, perfect for portrait style installations
- Wall plate knockouts provide wall access, improving cable management options



Display size: up to 71"



Max load: 200lb (90kg)



ST16D ships with 19.25"
(489mm) wide wall plate

ST16D	SmartMount® Display-Specific Tilt Wall Mount for up to 71" Displays - for up to 16" studs
ST24D	SmartMount® Display-Specific Tilt Wall Mount for up to 71" Displays - for up to 24" studs

Product Specifications

	DIMENSIONS (W x H x D)	PRODUCT WEIGHT	LOAD CAPACITY	FINISH	AVAILABLE COLORS
ST16D	19.25" x 10.48" x 2.98"-4.02" (489 x 266 x 76-102mm)	8.8 lb (4.0 kg)	200lb (90kg)	Matte	Black
ST24D	30.75" x 10.48" x 2.98"-4.02" (781 x 266 x 76-102mm)	10.3 lb (4.7 kg)			

Package Specifications

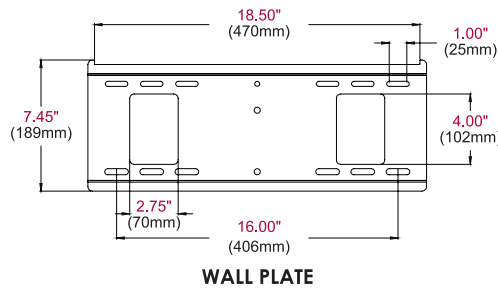
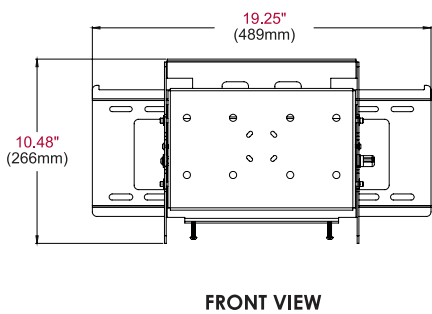
	PACKAGE SIZE (W x H x D)	PACKAGE SHIP WEIGHT	PACKAGE UPC CODE	PACKAGE CONTENTS	UNITS IN PACKAGE
ST16D	20.25" x 12.25" x 4.25" (514 x 311 x 108mm)	10.1lb (4.6kg)	735029240143	Wall plate, interface plate and hardware	1
ST24D	31.75" x 12.25" x 4.25" (807 x 311 x 108mm)	12.2lb (5.5kg)	735029240150		

Accessories

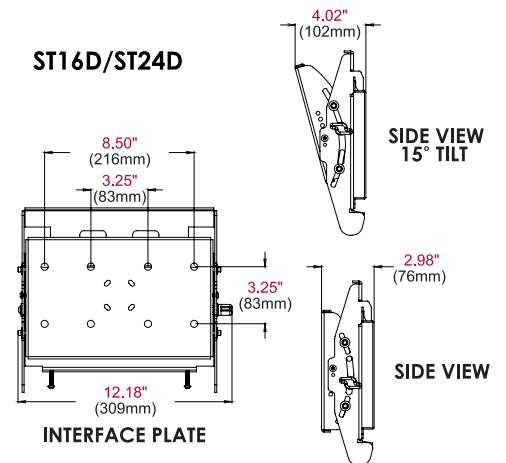
PLP/LC models: PLP or LC Display-Specific Adaptor Plates (Contact Peerless-AV Customer Care for more information.)
ACC415: 4-pack Metal Stud Fastener Kit

All dimensions = inch (mm)

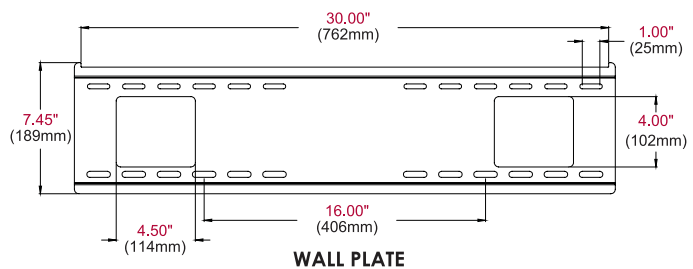
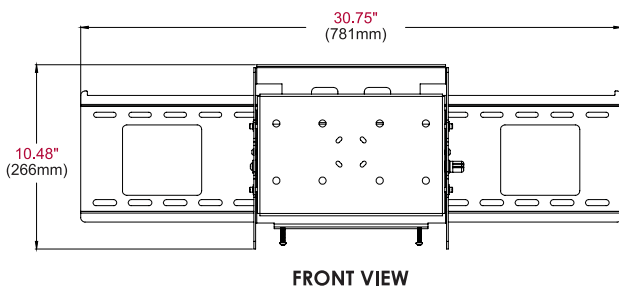
ST16D



ST16D/ST24D



ST24D



ARCHITECTS SPECIFICATIONS

The SmartMount® Display-Specific Tilt Wall Mount shall be a Peerless-AV model ST16D/ST24D and shall be located where indicated on the plans. Assembly and installation shall be done according to instructions provided by the manufacturer.

Peerless Industries, Inc. ■ 2300 White Oak Circle ■ Aurora, IL 60502 ■ (800) 865-2112 ■ (630) 375-5100 ■ Fax: (800) 359-6500 ■ peerless-av.com

Visit peerless-av.com to see the complete line of AV solutions from Peerless-AV, including flat panel mounts, projector mounts, carts/stands, furniture, cables, display cleaners and a full assortment of accessories.