



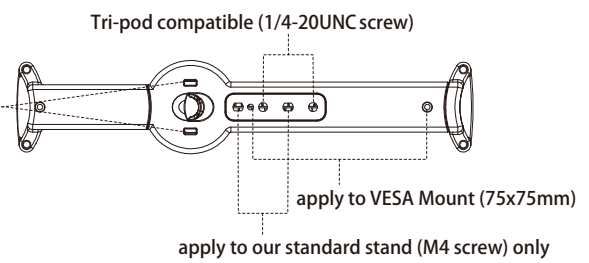
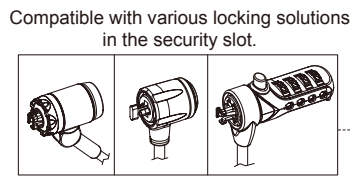
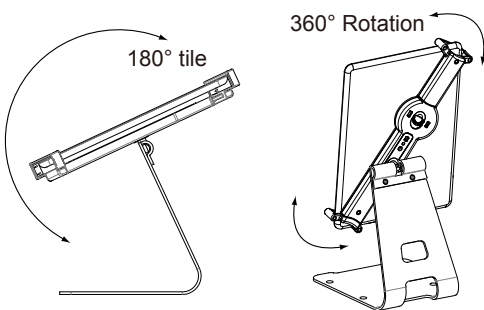
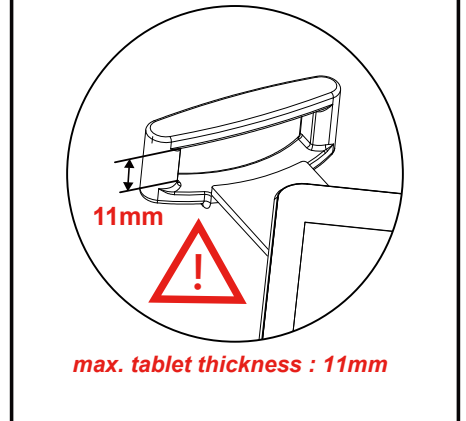
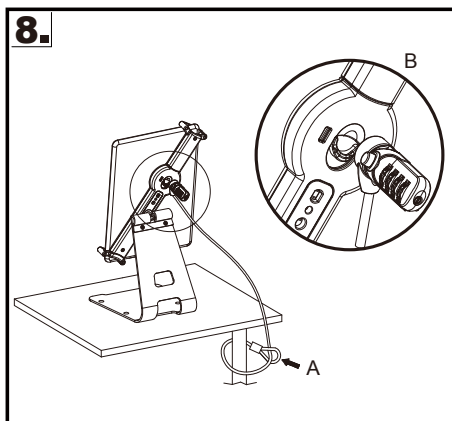
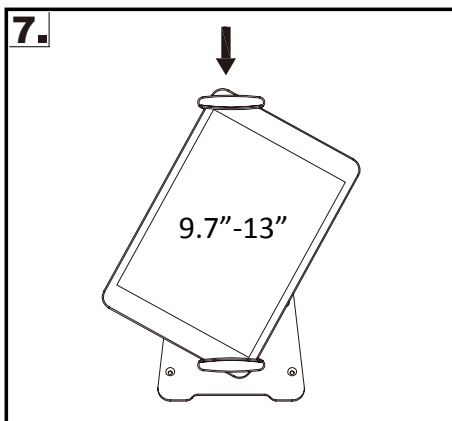
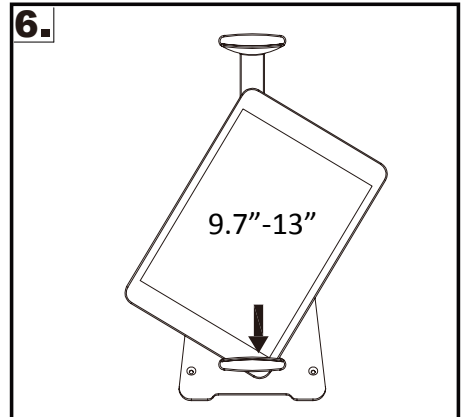
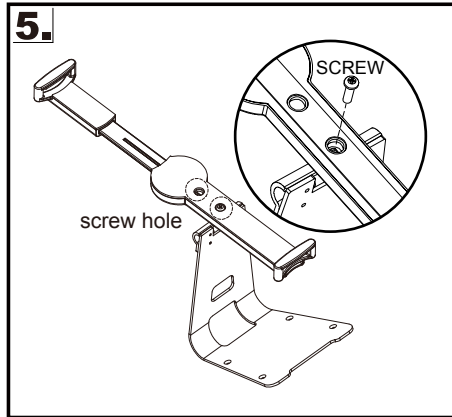
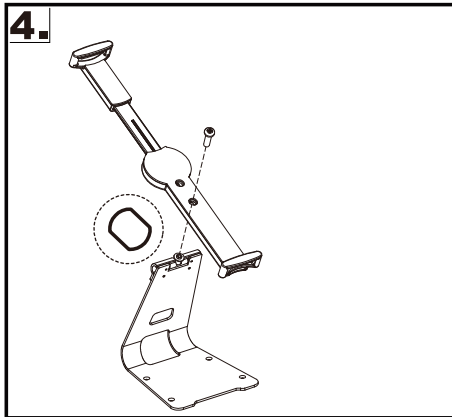
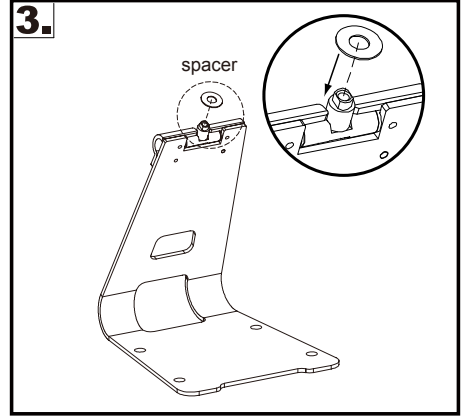
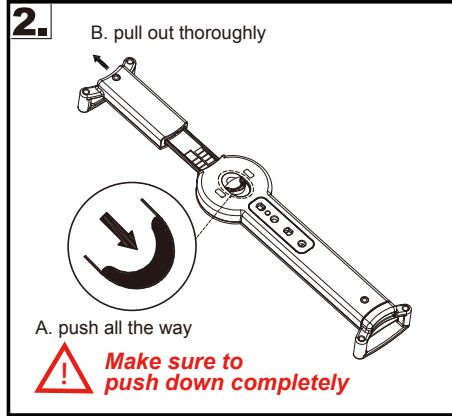
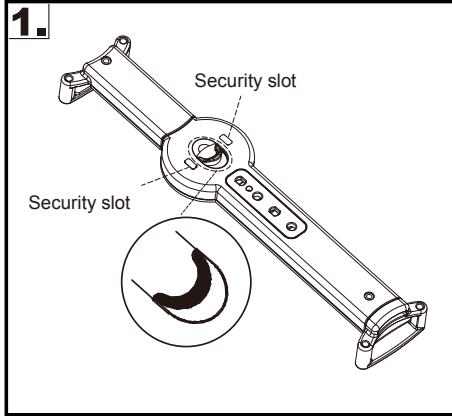
# Adjustable Anti-Theft Security Grip and Stand for iPad Pro & Large Tablets 9.7" - 13"

## INSTRUCTION MANUAL

PAD-ATGSL

Thank you for choosing CTA Digital's product. We hope that you will enjoy using it. Please follow the guidelines and instructions as laid out in this instruction manual.

# INSTALLATION INSTRUCTIONS



\* For Adjustable Tablet Lock only, please refer to step 1, 2, 6, 7 and 8 of installation instructions.