



Main

Range of product	Zelio Logic
Product or component type	Modem communication interface
Data backed up	Flash memory

Complementary

Kit composition	1 x SR2CBL07 Modem communication interface
Product compatibility	SR2E..... SR.B.....
Function available	Update firmware monitoring Send alarm to e-mail address Send alarm/receive instruction Transfer program
Number of messages	28
Electrical data recording	Discrete and digital value Telephone/E-mail Date and time
[Us] rated supply voltage	12...24 V DC
Supply voltage limits	10...28.8 V
Maximum supply current	30 MA 12 V 30 MA 24 V 550 A
Power dissipation in W	1.1 W
Reverse polarity protection	With
Associated fuse rating	1 A
Electrical connection	1 cable Com-M specific to Zelio, RS232 serial, specific Zelio communication protocol link with the modem, AT commands 1 cable Com-Z specific to Zelio, specific Zelio communication protocol Zelio Logic smart relays SR.B..... and SR2 E..... Version (>= V3.1)
Insulation	1780 V optocoupler Com-Z specific to Zelio By the cable SR2 CBL07 Com-M specific to Zelio
Connections - terminals	Screw terminals, 1 x 0.2...1 x 2.5 mm ² AWG 25...AWG 14) semi-solid Screw terminals, 1 x 0.2...1 x 2.5 mm ² AWG 25...AWG 14) solid Screw terminals, 2 x 0.2...2 x 1.5 mm ² AWG 24...AWG 16) solid Screw terminals, 1 x 0.25...1 x 2.5 mm ² AWG 24...AWG 14) flexible with cable end Screw terminals, 2 x 0.25...2 x 0.75 mm ² AWG 24...AWG 18) flexible with cable end
Tightening torque	4.43 lbf.in (0.5 N.m)
Net Weight	0.44 lb(US) (0.2 kg)

Environment

Product certifications	GOST CSA C-tick UL
Standards	EN/IEC 61000-4-11 EN/IEC 61000-4-3 EN/IEC 60068-2-27 Ea EN/IEC 61000-4-4 level 3 EN/IEC 61000-4-12 EN/IEC 61000-4-5 EN/IEC 61000-4-2 level 3 EN/IEC 61000-4-6 level 3 EN/IEC 60068-2-6 Fc
IP degree of protection	IP20 IEC 60529 terminal block) IP40 IEC 60529 front panel)
Environmental characteristic	EMC directive EN/IEC 61000-6-2 EMC directive EN/IEC 61000-6-3 EMC directive EN/IEC 61000-6-4 EMC directive EN/IEC 61131-2 zone B Low voltage directive EN/IEC 61131-2
Disturbance radiated/conducted	Class B EN 55022-11 group 1
Pollution degree	2 conforming to EN/IEC 61131-2
Ambient air temperature for operation	-4...104 °F (-20...40 °C) IEC 60068-2-1 and IEC 60068-2-2 -4...131 °F (-20...55 °C) IEC 60068-2-1 and IEC 60068-2-2
Ambient air temperature for storage	-40...158 °F (-40...70 °C)
Operating altitude	6561.68 ft (2000 m)
Maximum altitude transport	10000.00 ft (3048 m)
Relative humidity	95 % without condensation or dripping water

Ordering and shipping details

Category	22378 - SR2,3 ZELIO 2 RELAYS
Discount Schedule	I
GTIN	00785901422457
Nbr. of units in pkg.	1
Package weight(Lbs)	1 lb(US) (0.45 kg)
Returnability	No
Country of origin	FR

Packing Units

Package 1 Height	0.700 dm
Package 1 width	1.350 dm
Package 1 Length	1.000 dm

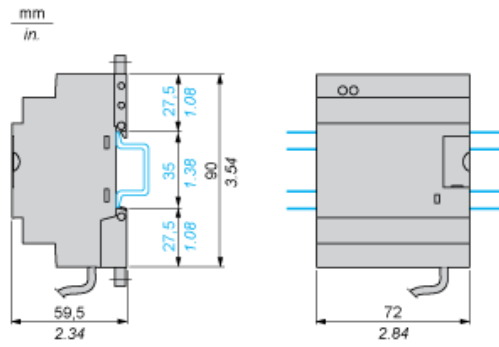
Offer Sustainability

Sustainable offer status	Green Premium product
California proposition 65	WARNING: This product can expose you to chemicals including: Lead and lead compounds, which is known to the State of California to cause cancer and birth defects or other reproductive harm. For more information go to www.P65Warnings.ca.gov
EU RoHS Directive	Pro-active compliance (Product out of EU RoHS legal scope) EU RoHS Declaration
Mercury free	Yes
RoHS exemption information	Yes
China RoHS Regulation	China RoHS Declaration
Environmental Disclosure	Product Environmental Profile
Circularity Profile	End Of Life Information

WEEE	The product must be disposed on European Union markets following specific waste collection and never end up in rubbish bins.
PVC free	Yes
Contractual warranty	
Warranty	18 months

Communication Interface

Rail Mounting



Screw Mounting (Retractable Lugs)

