

Aspen Technical Specification

18" & 24" Towel Bar

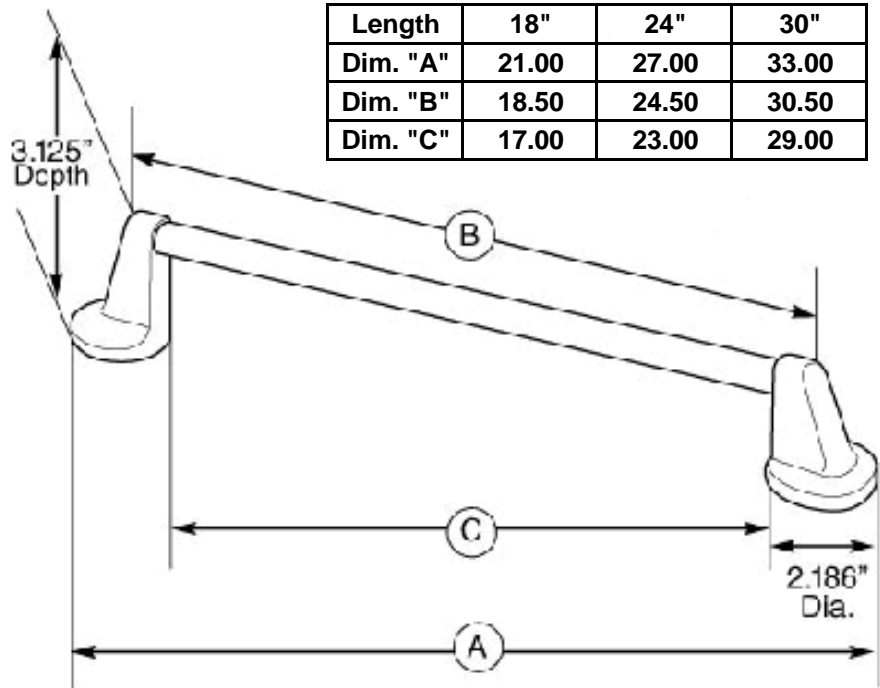
5818 & 5824

Stock Numbers:

- ❑ **5818CH – 18" Towel Bar**
Polished Chrome Finish
Concealed Screw Mounting
3/4" Round Bar
- ❑ **5818W – 18" Towel Bar**
White Finish
Concealed Screw Mounting
3/4" Round Bar
- ❑ **5824CH (BP5824CH)– 24" Towel Bar**
Polished Chrome Finish
Concealed Screw Mounting
3/4" Round Bar
- ❑ **5824W – 24" Towel Bar**
White Finish
Concealed Screw Mounting
3/4" Round Bar

"BP" SKUs in wholesale packaging

Dimensions:



Installation Instructions:

1. Position the mounting template on the wall in the desired location. Using a level, align the template and tape it to the wall.
2. Place each mounting plate on the template with "UP" facing you.
3. One at a time, place each anchor screw through the mounting plate, centered in each large hole. Using a Phillips screwdriver, turn the anchor screw while applying pressure. Screw will self drill and tap into drywall. Do not over tighten.
4. Only insert screw 1/2 to 3/4 of the way into wall.
5. After all screws are installed, tear the template away from the wall
6. Tighten all 4 screws. Do not over tighten.
7. Assemble the Towel bar and posts.
8. While assembled, Position each end post with the setscrew down and place over both mounting plates. Tighten the setscrew at the bottom of each base.

Materials:

Towel Bars are die cast from highest quality zinc alloy (zamac). Castings are triple plated with a polished chrome or a powder coated white finish.

Cleaning Instructions:

To preserve the fine finish of this product, clean only with a soft damp cloth. Dry well. Do not use commercial or abrasive cleaners.

Stock Number: _____ Towel Bar
By CSI Bath Furnishings

