



### Main

Range of product	Lexium Altivar
Product or component type	EMC input filter
Range compatibility	Altivar 32 Altivar Machine ATV320
Product compatibility	ATV32, 380...500 V, 11...15 kW Variable speed drive ATV320 11 kW, 380...500 V, three phase Variable speed drive ATV320 15 kW, 380...500 V, three phase
Product specific application	Radio interference input filter
Mounting location	Below variable speed drive
Phase	Three phase

### Complementary

Maximum cable distance between devices	65.62 Ft (20 m) IEC 61800-3 category C1 328.08 Ft (100 m) IEC 61800-3 category C2 492.13 ft (150 m) IEC 61800-3 category C3
Line Rated Current	49 A
Thermal losses	27.4 W
Network rated voltage	380...500 V
Tolerance	- 15...10 %
Net Weight	10.47 lb(US) (4.75 kg)
Emc filter compatibility	Type 025

### Ordering and shipping details

Category	22152 - ATV320/ATV312/ATV32 (.25 THRU 7.5HP)
Discount Schedule	CP4B
GTIN	00785901100027
Nbr. of units in pkg.	1
Package weight(Lbs)	9.38 lb(US) (4.25 kg)
Returnability	No
Country of origin	TH

### Packing Units

Unit Type of Package 1	PCE
Package 1 Height	3.54 in (9 cm)
Package 1 width	18.66 in (47.4 cm)
Package 1 Length	14.96 in (38 cm)
Unit Type of Package 2	P06
Number of Units in Package 2	8
Package 2 Weight	103.84 lb(US) (47.1 kg)
Package 2 Height	31.50 in (80 cm)
Package 2 width	31.50 in (80 cm)
Package 2 Length	23.62 in (60 cm)

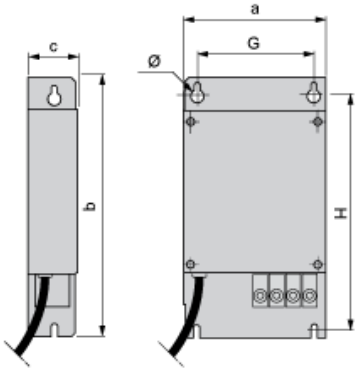
## Offer Sustainability

California proposition 65	WARNING: This product can expose you to chemicals including: Lead and lead compounds, which is known to the State of California to cause cancer and birth defects or other reproductive harm. For more information go to <a href="http://www.P65Warnings.ca.gov">www.P65Warnings.ca.gov</a>
REACH Regulation	<a href="#">REACH Declaration</a>
REACH free of SVHC	Yes
EU RoHS Directive	Pro-active compliance (Product out of EU RoHS legal scope) <a href="#">EU RoHS Declaration</a>
Toxic heavy metal free	Yes
Mercury free	Yes
RoHS exemption information	<a href="#">Yes</a>
China RoHS Regulation	<a href="#">China RoHS Declaration</a>

## Contractual warranty

Warranty	18 months
----------	-----------

Additional EMC Input Filters



Dimensions in mm

a	b	c	G	H	Ø
245	395	60	205	375	5.5

Dimensions in in.

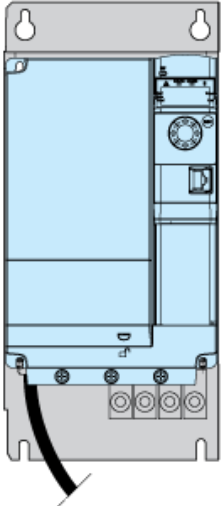
a	b	c	G	H	Ø
9.65	15.55	2.36	8.07	14.76	0.22

---

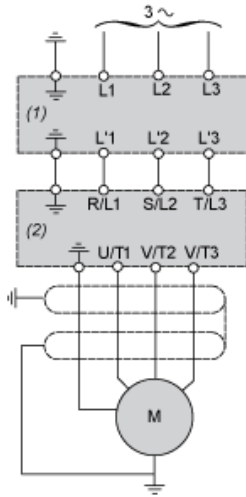
Mounting Recommendations

---

Mounting the Filter behind the Drive



Recommended Schema



- (1) Filter
- (2) Drive