

Main

Product or component type	Common mode output filter
Range compatibility	Altivar Process ATV900 Altivar Process ATV600
Value of inductance	120 µH
Product compatibility	Variable speed drive ATV630 wall mount, 15...90 kW, 380...480 V Variable speed drive ATV650 wall mount, 15...90 kW, 380...480 V Variable speed drive ATV930 wall mount, 15...90 kW, 380...480 V Variable speed drive ATV950 wall mount, 15...90 kW, 380...480 V Variable speed drive ATV630 wall mount, 7.5...45 kW, 200...240 V Variable speed drive ATV930 wall mount, 7.5...45 kW, 200...240 V

Complementary

Maximum motor cable length	492.13 Ft (150 m)(unshielded cable)15...90 kW 380...480 V 1 492.13 Ft (150 m)(shielded cable)15...22 kW 380...480 V 1 984.25 Ft (300 m)(shielded cable)15...22 kW 380...480 V 2 984.25 Ft (300 m)(shielded cable)30...90 kW 380...480 V 1 VW3A5504 1640.42 Ft (500 m)(unshielded cable)15...22 kW 380...480 V 2 1640.42 Ft (500 m)(unshielded cable)30...90 kW 380...480 V 1 VW3A5504 1640.42 Ft (500 m)(shielded cable)15...22 kW 380...480 V 1 VW3A5504 3280.84 Ft (1000 m)(unshielded cable)15...22 kW 380...480 V 1 VW3A5504 492.13 Ft (150 m)(unshielded cable)7.5...45 kW 200...240 V 1 492.13 Ft (150 m)(shielded cable)7.5...11 kW 200...240 V 1 984.25 Ft (300 m)(shielded cable)7.5...11 kW 200...240 V 2 984.25 Ft (300 m)(shielded cable)15...45 kW 200...240 V 1 VW3A5504 1640.42 Ft (500 m)(unshielded cable)7.5...11 kW 200...240 V 2 1640.42 Ft (500 m)(unshielded cable)15...45 kW 200...240 V 1 VW3A5504 1640.42 Ft (500 m)(shielded cable)7.5...11 kW 200...240 V 1 VW3A5504 3280.84 ft (1000 m)(unshielded cable)7.5...11 kW 200...240 V 1 VW3A5504
Saturation current	2.2 A
Internal diameter	2.99 in (76 mm) 3-phase cable inside 2.99 in (76 mm) PE cable outside
Electrical insulation class	Class I
Mechanical robustness	Shocks class 3M4 IEC 60721-3-3 Vibrations class 3M4 IEC 60721-3-3
Switching frequency	<= 10 kHz
Maximum output frequency	100 Hz
Height	6.34 in (161 mm)
Width	5.02 in (127.5 mm)
Depth	5.02 in (127.5 mm)
Net Weight	4.83 lb(US) (2.19 kg)

Environment

Relative humidity	5...95 % without condensation
Ambient air temperature for operation	5...140 °F (-15...60 °C)
Ambient air temperature for storage	-40...158 °F (-40...70 °C)

Ordering and shipping details

Category	22276 - ATV930 FRAMES 1 & 2
Discount Schedule	CP4E
GTIN	00785901015017
Nbr. of units in pkg.	1
Package weight(Lbs)	1 lb(US) (0.45 kg)
Returnability	No

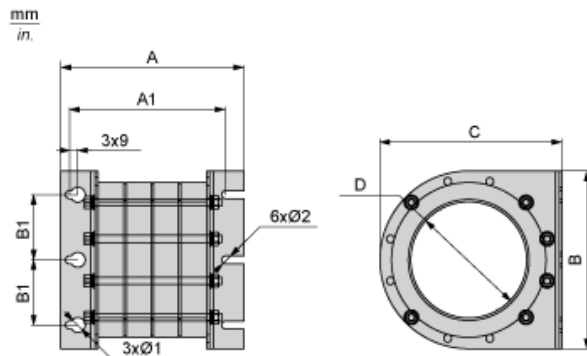
Packing Units

Unit Type of Package 1	PCE
Package 1 Height	6.69 in (17 cm)
Package 1 width	7.09 in (18 cm)
Package 1 Length	10.91 in (27.7 cm)
Unit Type of Package 2	P06
Number of Units in Package 2	24
Package 2 Weight	164.86 lb(US) (74.78 kg)
Package 2 Height	31.50 in (80 cm)
Package 2 width	31.50 in (80 cm)
Package 2 Length	23.62 in (60 cm)

Offer Sustainability

California proposition 65	WARNING: This product can expose you to chemicals including: Lead and lead compounds, which is known to the State of California to cause cancer and birth defects or other reproductive harm. For more information go to www.P65Warnings.ca.gov
REACH Regulation	REACH Declaration
REACH free of SVHC	Yes
EU RoHS Directive	Pro-active compliance (Product out of EU RoHS legal scope) EU RoHS Declaration
Toxic heavy metal free	Yes
Mercury free	Yes
RoHS exemption information	Yes
China RoHS Regulation	China RoHS Declaration

Dimensions



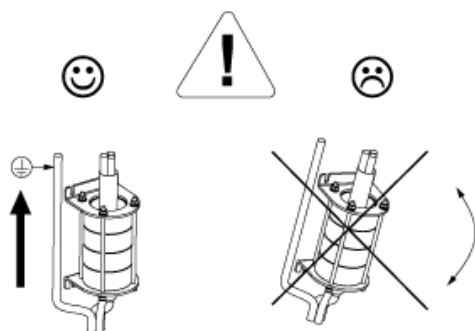
Dimensions in mm

A	A1	B1	Ø1	Ø2	B	C	D
160	137	45	13	6.5	127.5	127.5	75

Dimensions in in.

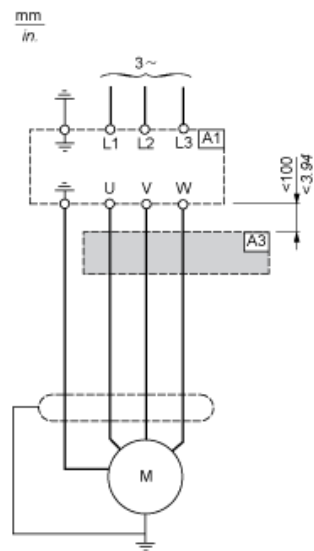
A	A1	B1	Ø1	Ø2	B	C	D
6.3	5.1	1.8	0.5	0.26	5.0	5.0	3.0

Mounting Recommendations



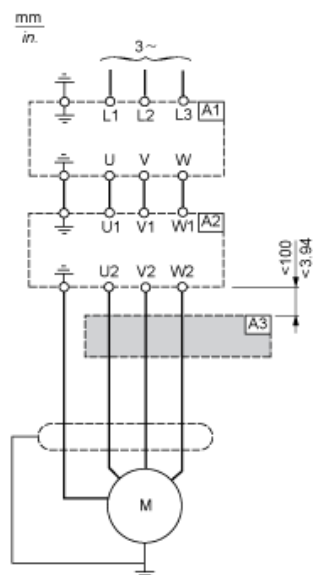
Recommended Schema

Connection at the Output Terminals of the Drive



- A1 : Drive
- A3 : Common mode filter

Connection at the Output Terminals of the dv/dt Filter or Sinus Filter



- A1 : Drive
- A2 : dv/dt or sinus filter
- A3 : Common mode filter