



Main

| | |
|---------------------------|--|
| Range of product | Harmony GTO |
| Product or component type | Advanced touchscreen panel |
| Display colour | 65536 colours |
| Display size | 3.5 inch |
| Supply | External source |
| Control button type | 6 operation defined using Vijeo Designer push-button key F1...F6 |
| Operating system | Harmony |
| Battery type | Lithium internal RAM 100 days 5 day(s) 10 year(s) |

Complementary

| | |
|--------------------------------|--|
| Terminal type | Touchscreen display |
| Display type | Backlit colour TFT LCD |
| Display resolution | 320 x 240 pixels QVGA |
| Touch sensitive zone | 1024 x 1024 |
| Touch panel | Resistive film, 1000000 cycles |
| Backlight lifespan | 50000 hours white 77 °F (25 °C) |
| Brightness | 16 levels by touch panel 16 levels by software |
| Character font | Chinese (simplified Chinese) ASCII (European characters) Japanese (ANK, Kanji) Korean Taiwanese (traditional Chinese) |
| [Us] rated supply voltage | 24 V DC |
| Supply voltage limits | 19.2...28.8 V |
| Inrush current | 30 A |
| Maximum power consumption in W | 5.2 W when power is not supplied to external devices 4.2 W when backlight is OFF 4.3 W when backlight is dimmed 9.6 W |
| Local signalling | Status LED green, steady offline Status LED green, steady operating Status LED orange, flashing software starting up Status LED red, steady power supply (ON) Status LED clear, faded power supply (OFF) |
| Software designation | Vijeo Designer configuration software >= V6.1 |
| Memory description | Flash EPROM, 64 MB |
| Data backed up | 128 kB internal RAM SRAM) |
| Downloadable protocols | Schneider Electric Modicon Modbus Schneider Electric Modicon Uni-TE Schneider Electric Modicon Modbus Plus Schneider Electric Modicon FIPWAY Mitsubishi Melsec third party protocols Omron Sysmac third party protocols Rockwell Automation Allen-Bradley third party protocols Siemens Simatic third party protocols |

| | |
|----------------------------|---|
| Integrated connection type | COM1 serial link SUB-D 9, interface: RS232C, transmission rate: 2400...115200 bps COM2 serial link RJ45, interface: RS485, transmission rate: 2400...115200 bps COM2 serial link RJ45 RS485 187.5 kbps Siemens MPI USB 2.0 type A USB 2.0 type mini B |
| Product mounting | Flush mounting |
| Fixing mode | By 4 screw clamps |
| Front material | PPT |
| Enclosure material | PPT |
| Type of cooling | Natural convection |
| Width | 5.20 in (132 mm) |
| Height | 4.17 in (106 mm) |
| Depth | 1.65 in (42 mm) |
| Net Weight | 0.88 lb(US) (0.4 kg) |

Environment

| | |
|---------------------------------------|--|
| Standards | UL 508 EN 61131-2 IEC 61000-6-2 |
| Product certifications | C-tick CULus CE KCC |
| Ambient air temperature for operation | 32...122 °F (0...50 °C) |
| Ambient air temperature for storage | -4...140 °F (-20...60 °C) |
| Relative humidity | 10...90 % without condensation |
| Operating altitude | < 6561.68 ft (2000 m) |
| IP degree of protection | IP20 IEC 60529 rear panel) IP65 IEC 60529 front panel) |
| NEMA degree of protection | NEMA 4X front panel (indoor use) |
| Shock resistance | 147 m/s ² 3 chocks in each direction X, Y and Z EN/IEC 61131-2 |
| Vibration resistance | 9.8 m/s ² 9...150 Hz) - X, Y, Z directions for 10 cycles (approx. 100 min) - EN/IEC 61131-2 3.5 mm 5...9 Hz) - X, Y, Z directions for 10 cycles (approx. 100 min) - EN/IEC 61131-2 |
| Resistance to electrostatic discharge | 6 kV contact discharge IEC 61000-4-2 level 3 |

Ordering and shipping details

| | |
|-----------------------|------------------------------------|
| Category | 22569 - MAGELIS XBT-GT (AND XBT-G) |
| Discount Schedule | MC2 |
| GTIN | 00785901103639 |
| Nbr. of units in pkg. | 1 |
| Package weight(Lbs) | 1.64 lb(US) (0.74 kg) |
| Returnability | Yes |
| Country of origin | ID |

Packing Units

| | |
|------------------------------|------------------------|
| Unit Type of Package 1 | PCE |
| Package 1 Height | 4.92 in (12.5 cm) |
| Package 1 width | 7.17 in (18.2 cm) |
| Package 1 Length | 8.46 in (21.5 cm) |
| Unit Type of Package 2 | S03 |
| Number of Units in Package 2 | 4 |
| Package 2 Weight | 7.71 lb(US) (3.495 kg) |
| Package 2 Height | 11.81 in (30 cm) |
| Package 2 width | 11.81 in (30 cm) |
| Package 2 Length | 15.75 in (40 cm) |
| Unit Type of Package 3 | P12 |

| | |
|------------------------------|-------------------------|
| Number of Units in Package 3 | 64 |
| Package 3 Weight | 102.96 lb(US) (46.7 kg) |
| Package 3 Height | 5.91 in (15 cm) |
| Package 3 width | 31.50 in (80 cm) |
| Package 3 Length | 47.24 in (120 cm) |

Offer Sustainability

| | |
|----------------------------|---|
| Sustainable offer status | Green Premium product |
| California proposition 65 | WARNING: This product can expose you to chemicals including: Lead and lead compounds, which is known to the State of California to cause cancer and birth defects or other reproductive harm. For more information go to www.P65Warnings.ca.gov |
| REACH free of SVHC | Yes |
| EU RoHS Directive | Pro-active compliance (Product out of EU RoHS legal scope) EU RoHS Declaration |
| Toxic heavy metal free | Yes |
| Mercury free | Yes |
| RoHS exemption information | Yes |
| China RoHS Regulation | China RoHS Declaration |
| Environmental Disclosure | Product Environmental Profile |
| Circularity Profile | End Of Life Information |
| WEEE | The product must be disposed on European Union markets following specific waste collection and never end up in rubbish bins. |

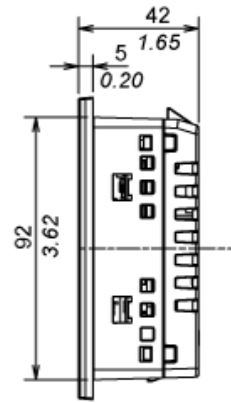
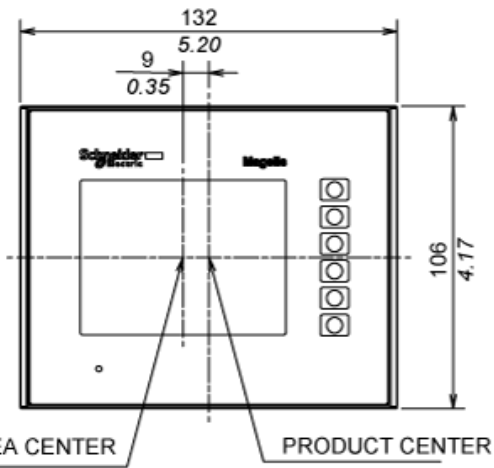
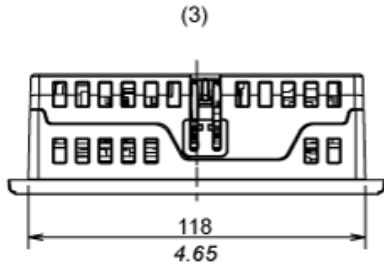
Contractual warranty

| | |
|----------|-----------|
| Warranty | 18 months |
|----------|-----------|

Dimensions

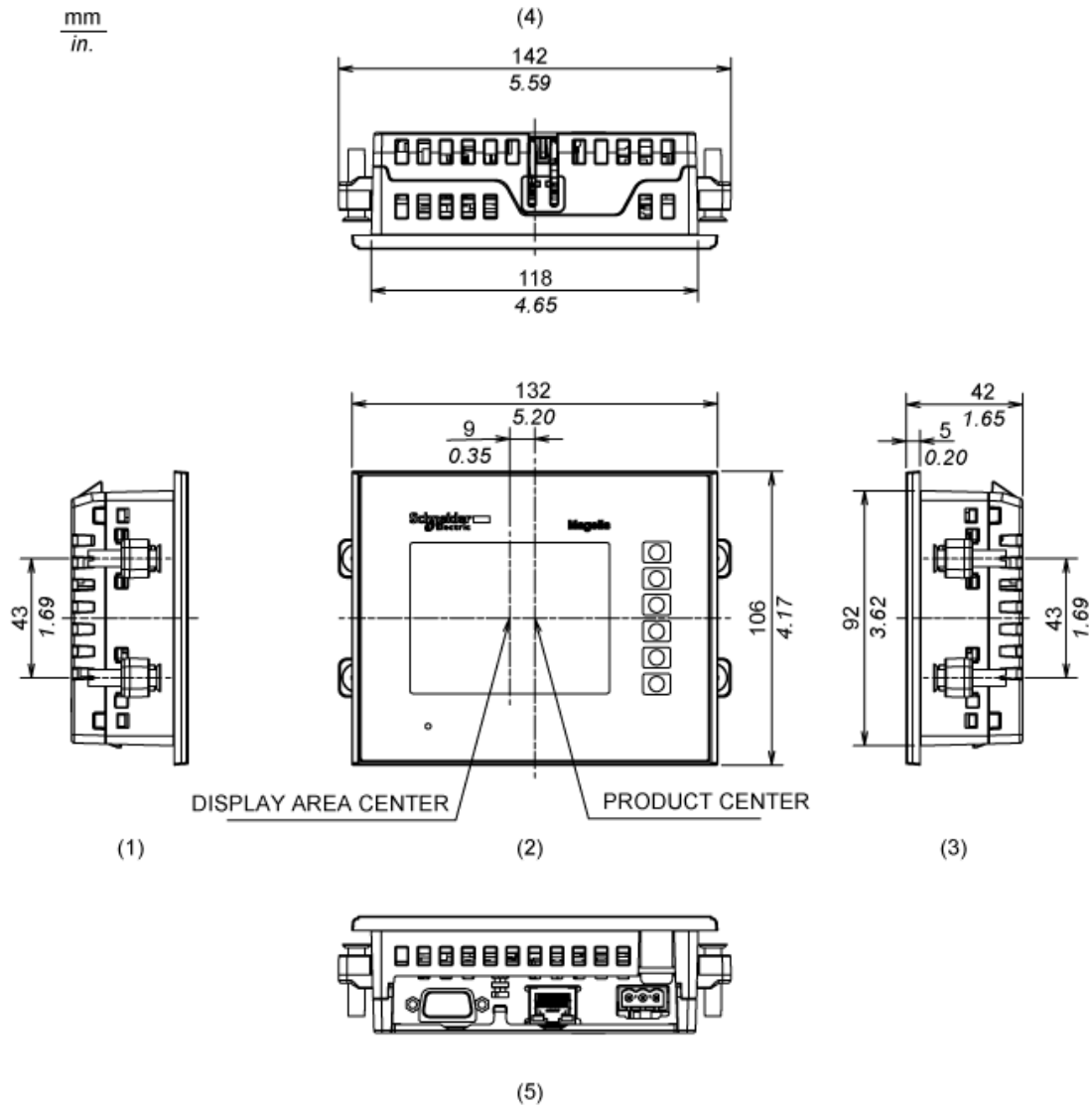
External Dimensions

$\frac{\text{mm}}{\text{in.}}$



- 1 Front
- 2 Right Side
- 3 Top

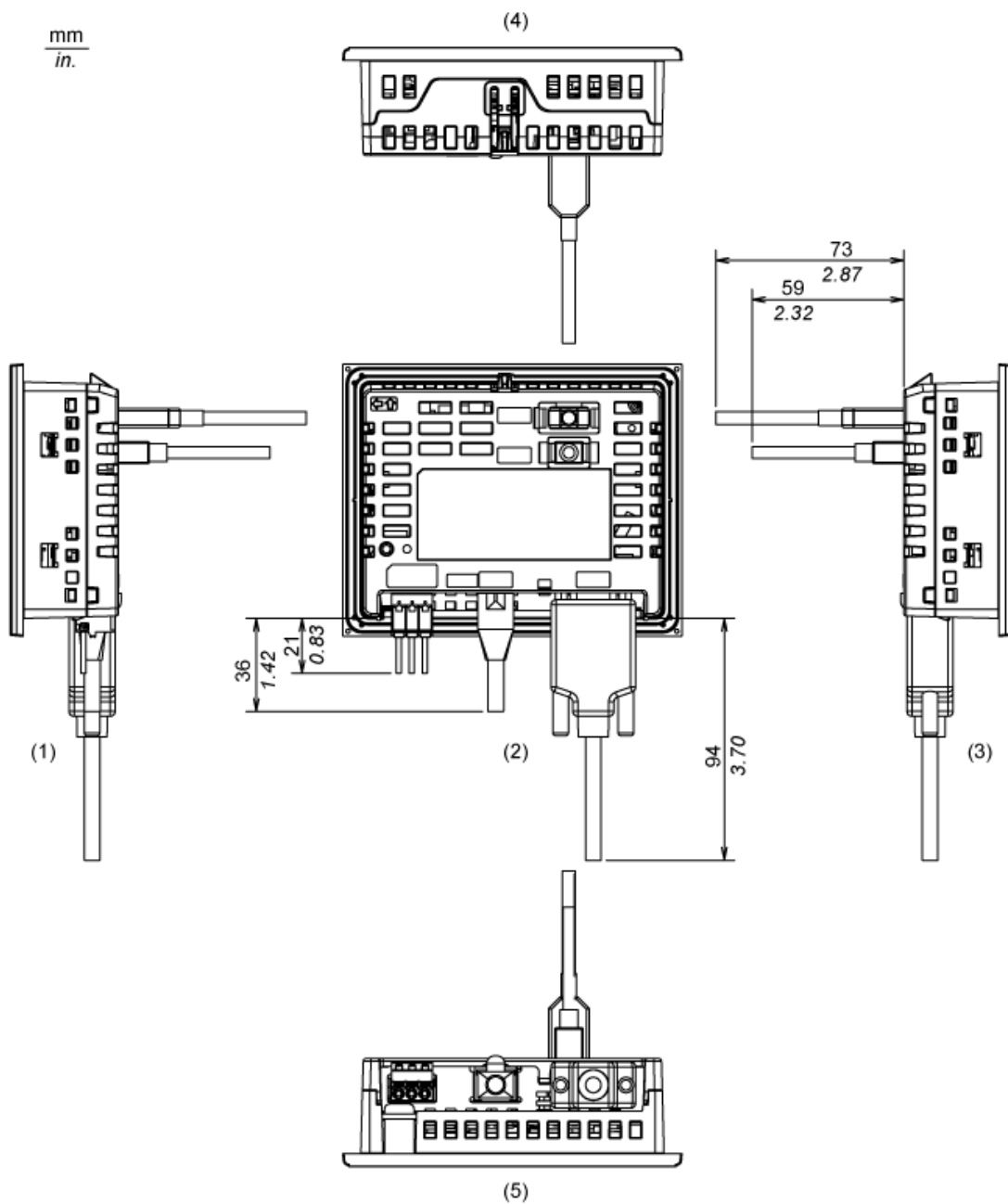
Installation with Installation Fasteners



- 1 Left Side
- 2 Front
- 3 Right Side
- 4 Top
- 5 Bottom

Dimensions with Cables

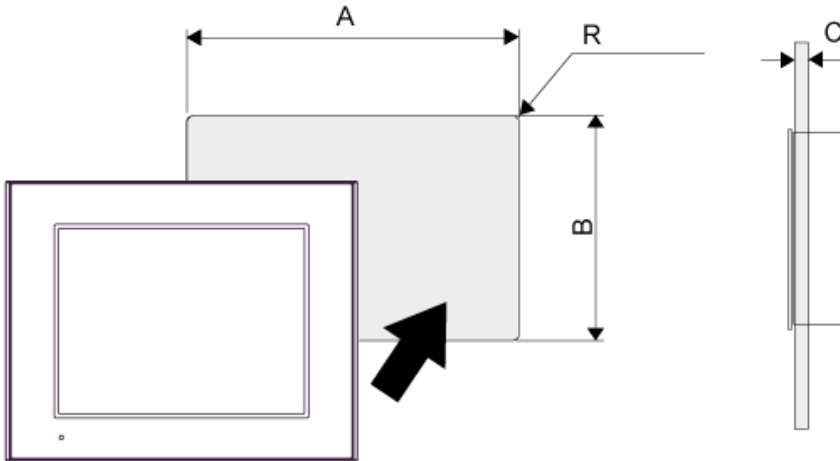
mm
in.



- 1 Left Side
- 2 Rear
- 3 Right Side
- 4 Top
- 5 Bottom

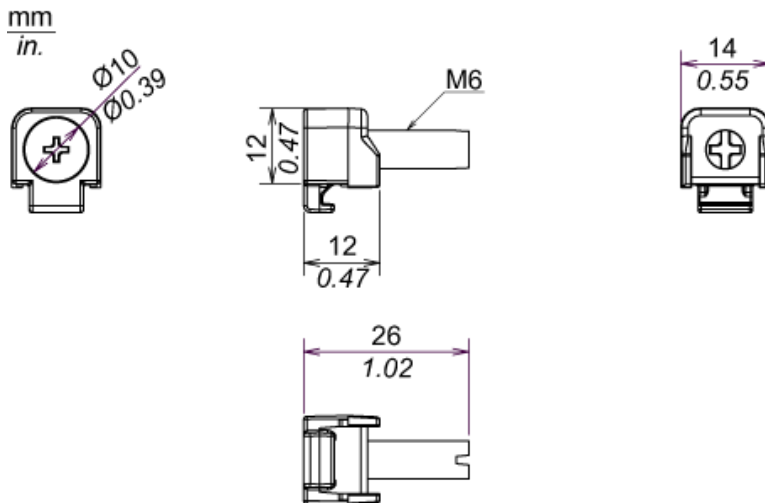
Mounting

Panel Cut Dimensions



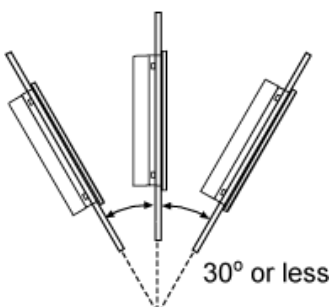
| A | | B | | C | | R | |
|----------------|------------------|---------------|------------------|---------|------------|--------|-----------|
| mm | in. | mm | in. | mm | in. | mm | in. |
| 118.5 (+1, -0) | 4.67 (+0.04, -0) | 92.5 (+1, -0) | 3.64 (+0.04, -0) | 1.6...5 | 0.06...0.2 | 3 max. | 0.12 max. |

Installation Fastener Dimensions



Installation Requirements

Mounting Angle



When installing the panel in a slanted position with an incline more than 30°, the ambient temperature must not exceed 40 °C (104 °F). You may need to use forced air cooling (fan,A/C) to ensure the ambient operating temperature is 40°C or less (104 °F or less).

Clearance

