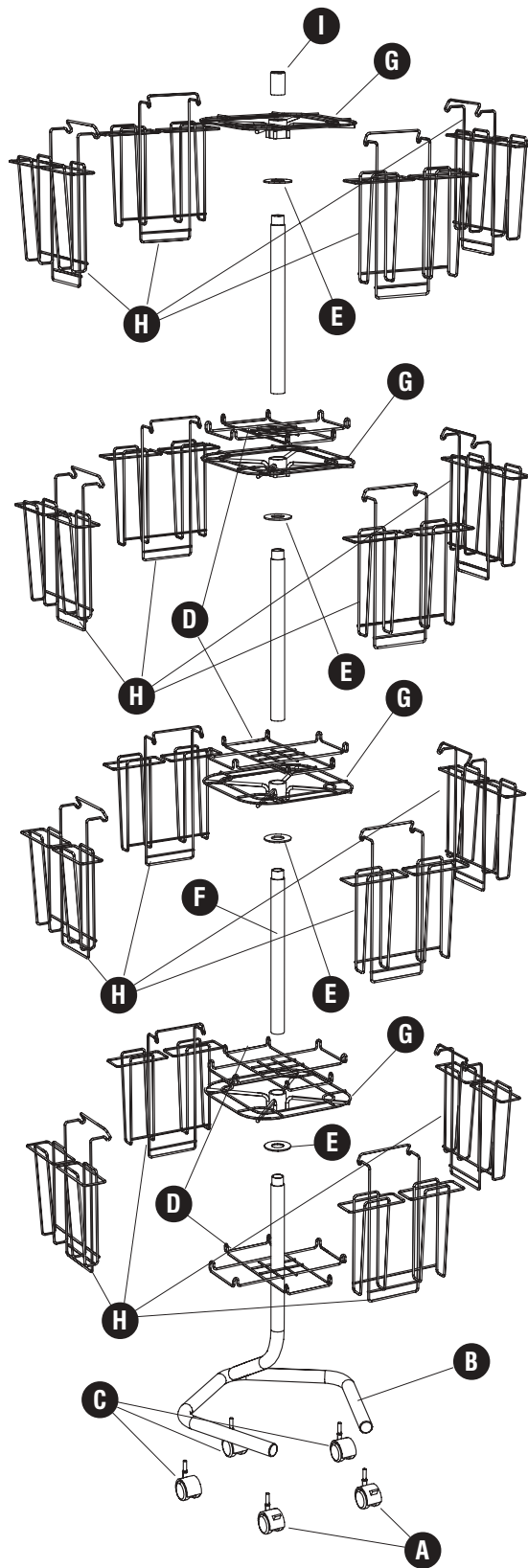
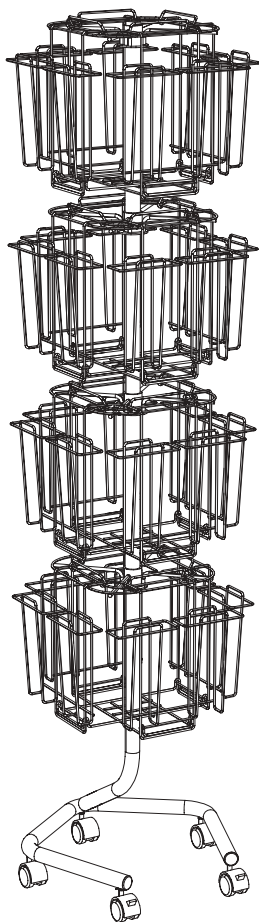


### ASSEMBLY INSTRUCTIONS

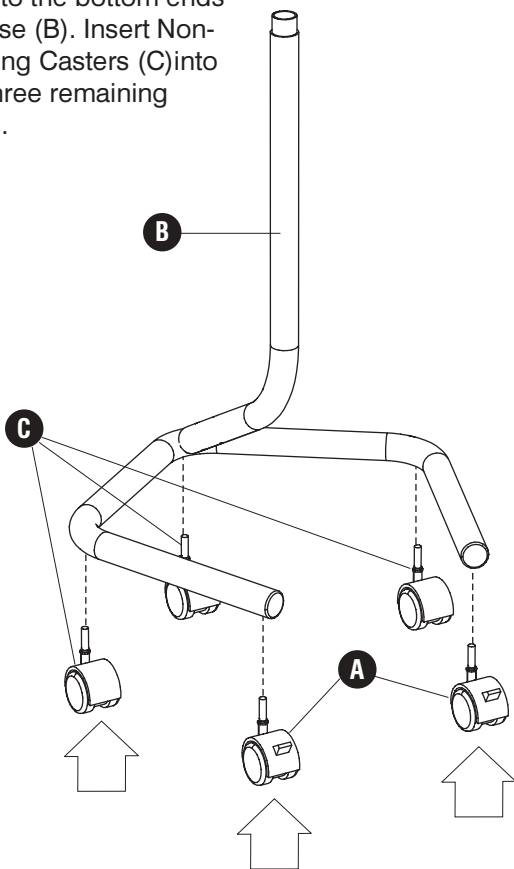
**TOOLS REQUIRED:** Wrench for Casters (INCLUDED)

**PRODUCT WARRANTY REGISTRATION** is available online at: [www.safcoproducts.com](http://www.safcoproducts.com)

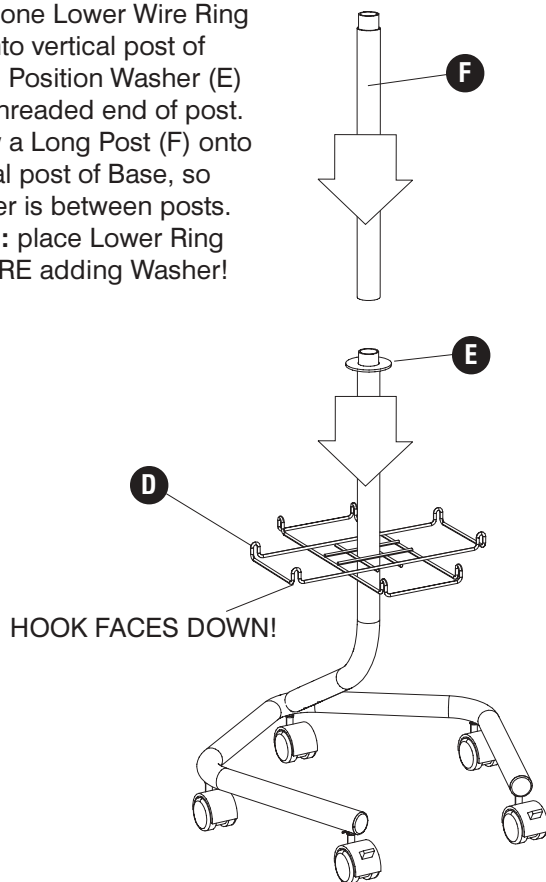
PARTS LIST			
CODE	DESCRIPTION	QTY.	PART NO.
(A)	Locking Caster	2	4139-26
(B)	Base	1	4139-04
(C)	Non-Locking Caster	3	4139-25
(D)	Lower Wire Ring	4	4139-03
(E)	Washer	4	4139-21
(F)	Long Post	3	4139-06
(G)	Upper Wire Ring	4	4139-02
(H)	Wire Compartment	16	4128-01
(I)	Short Post with Cap	1	4139-07



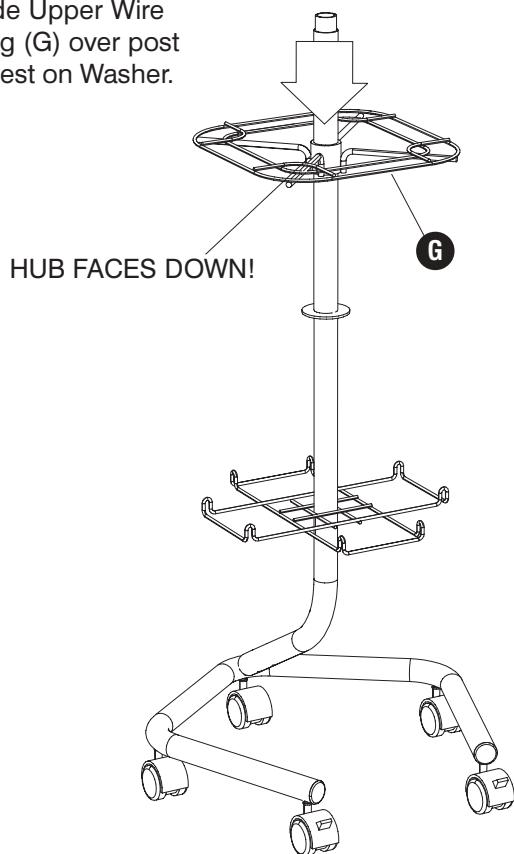
- 1** Insert Locking Casters (A) into the bottom ends of Base (B). Insert Non-Locking Casters (C) into the three remaining holes.



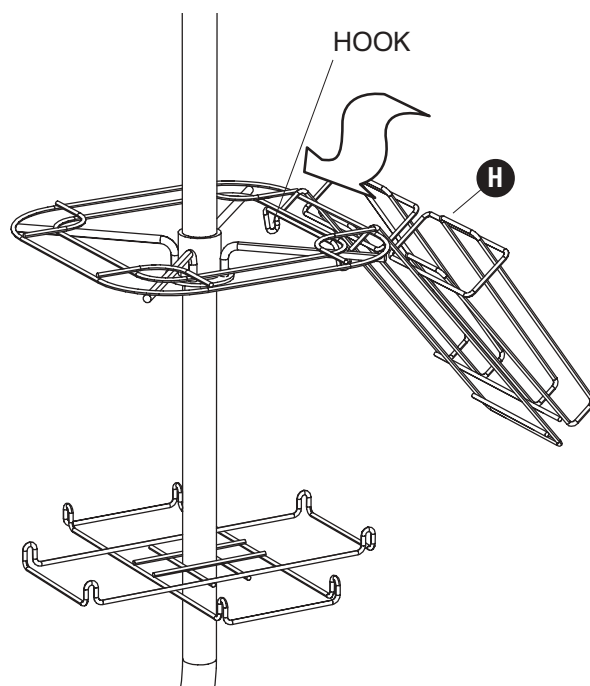
- 2** Place one Lower Wire Ring (D) onto vertical post of Base. Position Washer (E) onto threaded end of post. Screw a Long Post (F) onto vertical post of Base, so Washer is between posts. **NOTE:** place Lower Ring BEFORE adding Washer!



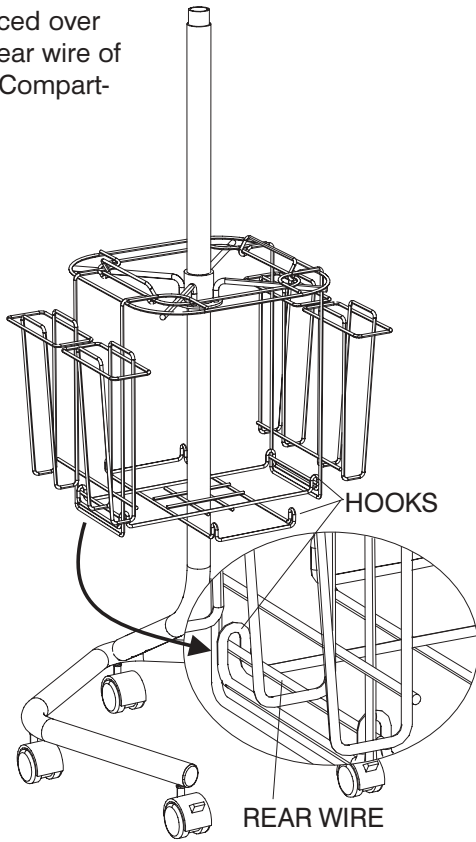
- 3** Slide Upper Wire Ring (G) over post to rest on Washer.



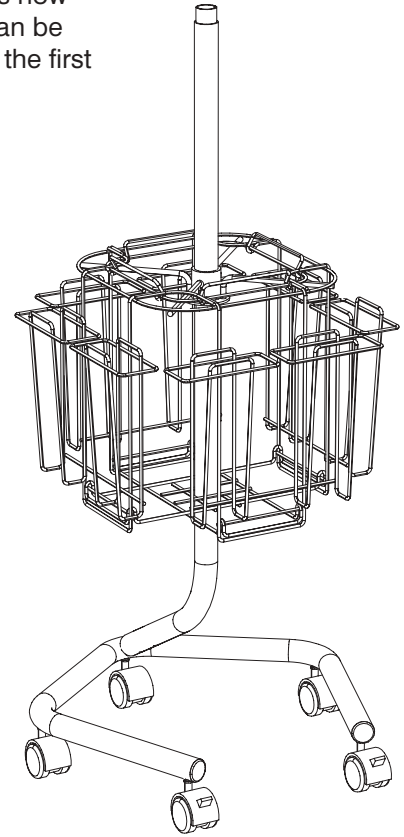
- 4** Tilt a Wire Compartment (H) into one side of the Upper Wire Ring. Hook of Wire Compartment passes OVER the outer wire, and UNDER the inner wire to hook onto the Upper Wire Ring. Attach three more Wire Compartments, one per side.



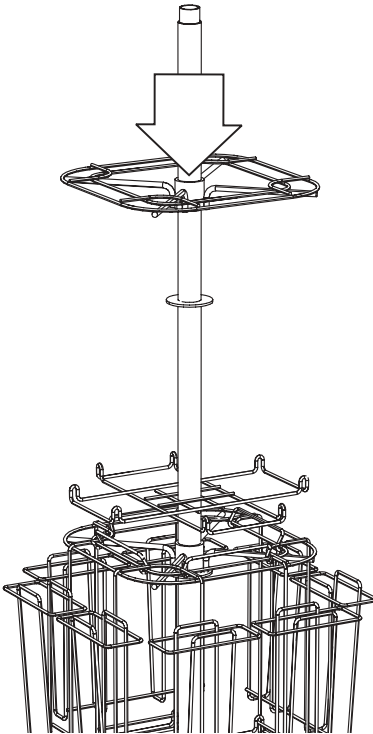
- 5** Raise the Lower Wire Ring up so its hooks can be placed over the lower rear wire of each Wire Compartment.



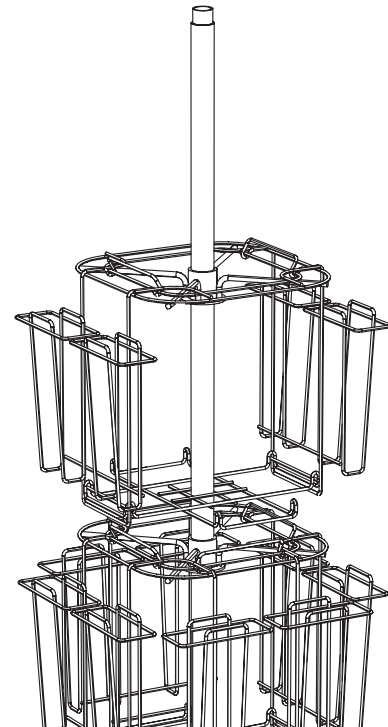
- 6** The first wire compartment assembly is now complete, and can be rotated freely on the first Washer.



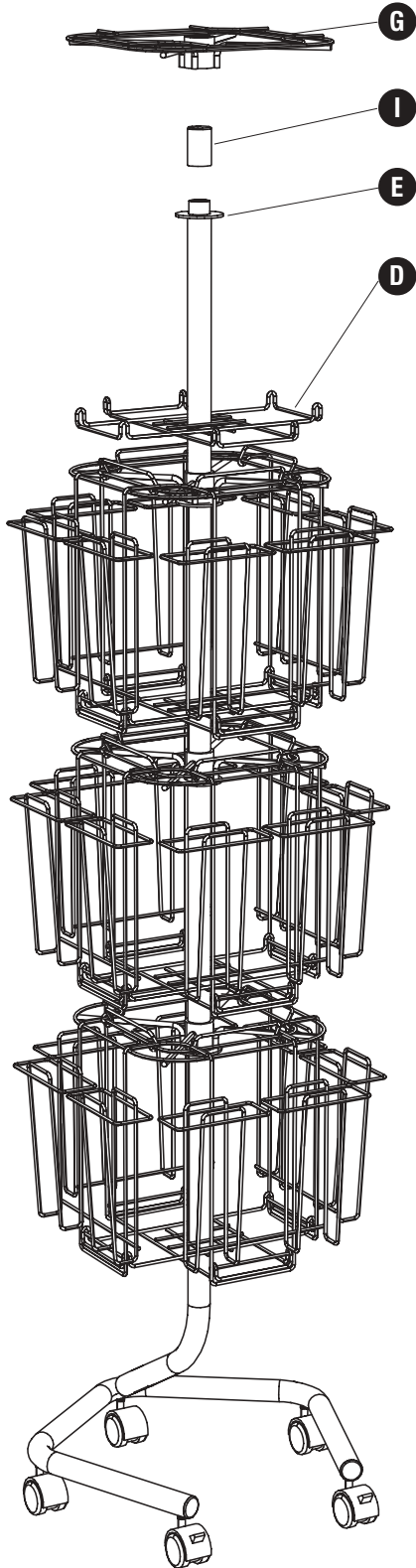
- 7** Repeat instructions 4 through 6 to assemble the second wire compartment assembly.



- 8** Repeat instructions 4 through 6 to assemble the third wire compartment assembly.



- 9** For the final wire compartment assembly, slide remaining Lower Wire Ring (D) onto post. Position Washer (E) on post. Screw the Short Post with Cap (I) onto the post. Place remaining Upper Wire Ring (G) over Short Post and Washer.



- 10** Repeat steps 4 through 6 to attach the four remaining Wire Compartments (H).

