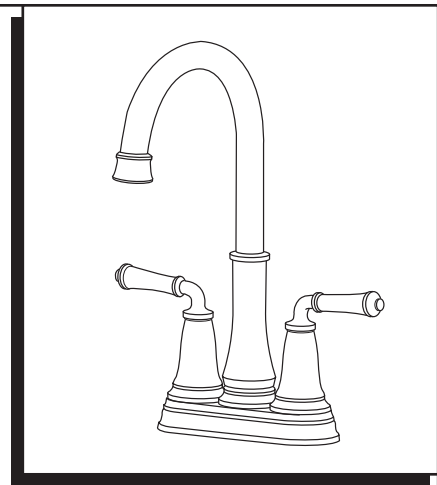


**DELANCEY™
DUAL CONTROL BAR FAUCET**

Thank you for selecting American Standard...
the benchmark of fine quality for over 100 years.

To ensure that your installation proceeds smoothly-please
read these instructions carefully before you begin.



Certified to comply with ANSI A112.18.1M

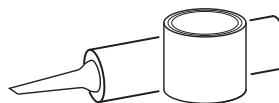
RECOMMENDED TOOLS



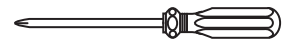
Adjustable Wrench



Channel Locks



Plumbers' Putty
or Caulking

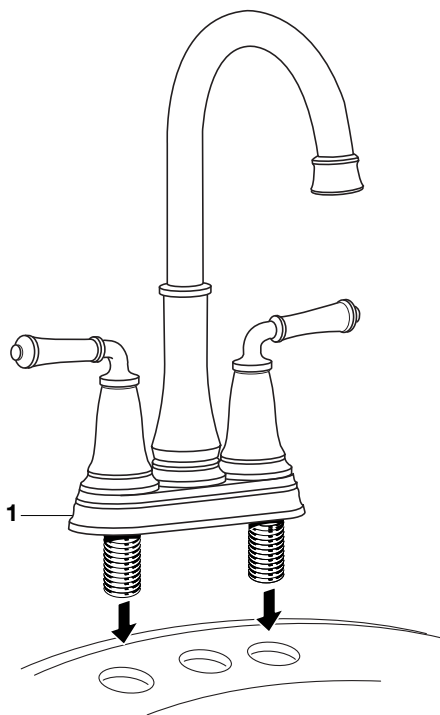


Phillips Screwdriver

1 INSTALL FAUCET

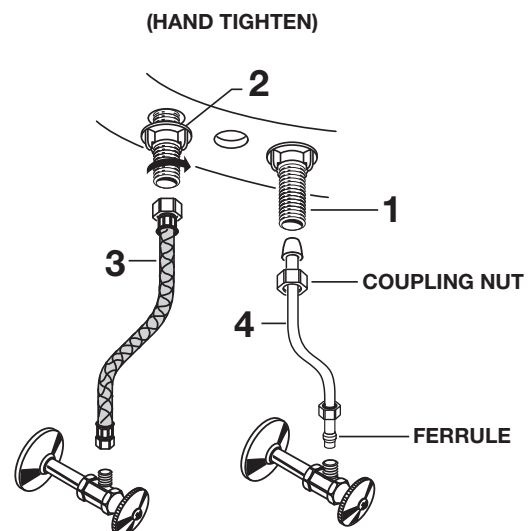
CAUTION Turn off hot and cold water
supplies before beginning.

- Install FAUCET (1) on lavatory. (No sealant is required unless mounting deck on lavatory is uneven).



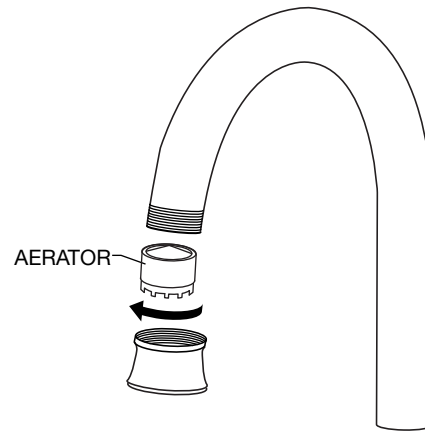
**2 SECURE FAUCET AND MAKE WATER
SUPPLY CONNECTIONS**

- **NOTE:** Flexible supplies have to be purchased separately.
- Secure FAUCET (1) with ATTACHMENT NUTS (2) supplied. (HAND TIGHTEN).
- Connect water supply to FAUCET (1) with 1/2" IPS FLEXIBLE SUPPLIES (3) or 3/8" O.D. BULL-NOSE RISERS (4). Use adjustable wrench to tighten connections. Do not over tighten. Be careful not to kink copper supply when bending. Use tubing cutter to cut to proper length.



3 TEST INSTALLED FAUCET

- Remove AERATOR. With handles in OFF position, turn on water supplies and check all connections for leaks.
- Operate both handles to flush water lines thoroughly. Replace AERATOR.



4 SERVICE **CAUTION** Turn off hot and cold water supplies before beginning.

If Faucet Drips, Proceed As Follows:

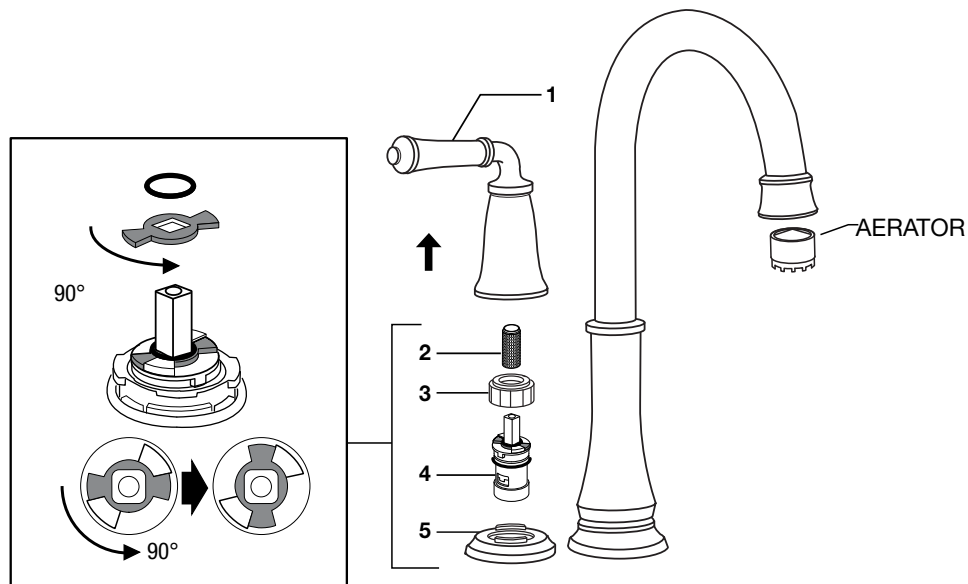
- Turn HANDLES to OFF position.
- If spout drips, operate HANDLES several times from OFF to ON position. Do not force HANDLES they turn only 90°.
- AERATOR may accumulate dirt causing distorted and reduced water flow. Remove AERATOR and clean before reinstalling.

Change Handle Direction:

- Lift up HANDLE (1).
- Remove Plastic ADAPTER (2) and CARTRIDGE NUT (3).
- Lift and turn STOP WASHER 90°.
- Re-install HANDLE components.

To Change Cartridge:

- Lift up HANDLE (1).
- Remove Plastic ADAPTER (2) and CARTRIDGE NUT (3).
- Lift CARTRIDGE (4) off PORT (5).
- Clean CARTRIDGE (4) port.
- Place CARTRIDGE (4) onto PORT (5) and tighten CARTRIDGE NUT (3) alternately.
- Replace Plastic ADAPTER (2), HANDLE (1).



6 CARE INSTRUCTIONS:

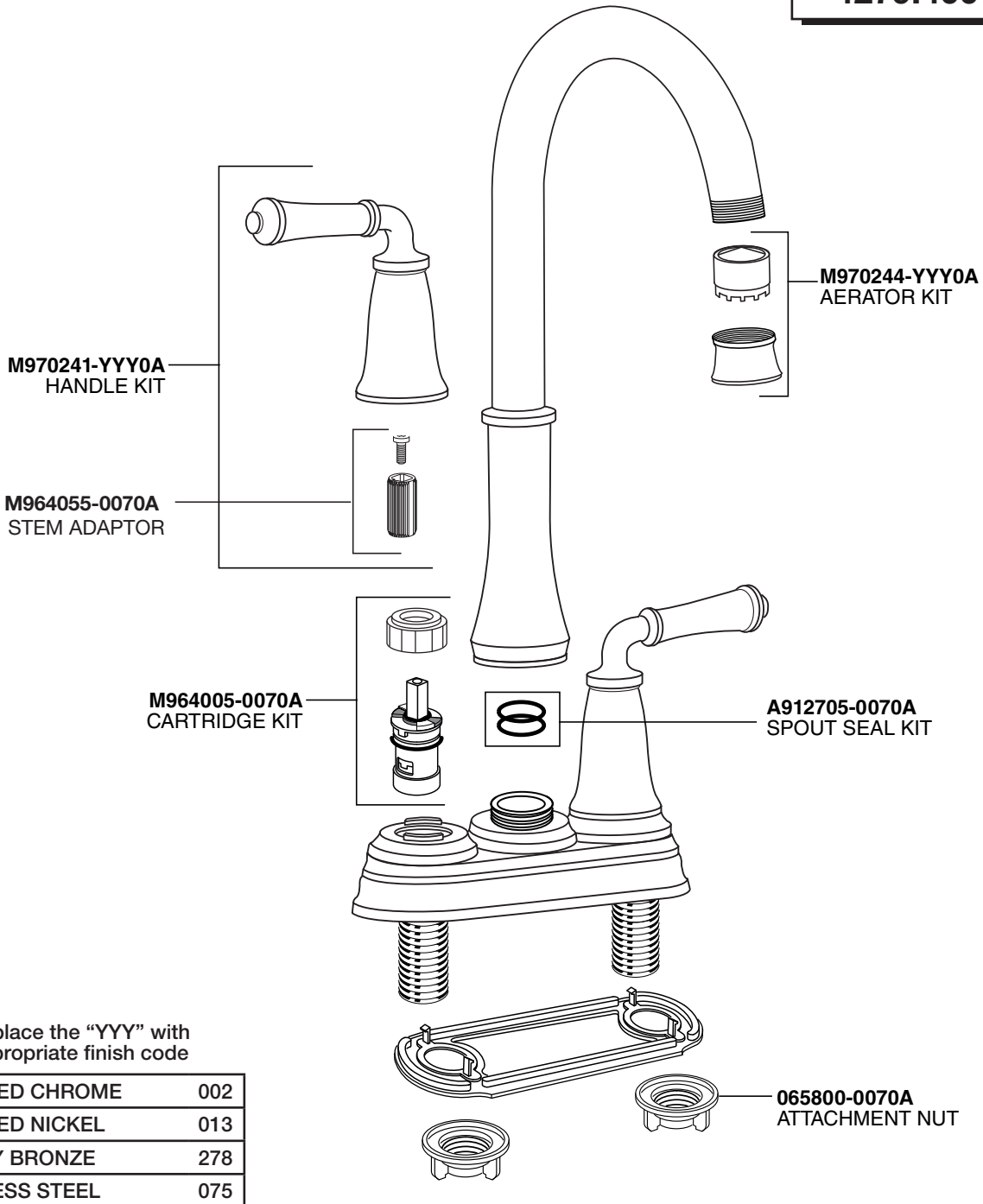
- DO: SIMPLY RINSE THE PRODUCT CLEAN WITH CLEAR WATER. DRY WITH A SOFT COTTON FLANNEL CLOTH.**
- DO NOT: DO NOT CLEAN THE PRODUCT WITH SOAPS, ACID, POLISH, ABRASIVES, HARSH CLEANERS, OR A CLOTH WITH A COARSE SURFACE.**

American Standard

DELANCEY™ DUAL CONTROL BAR FAUCET

MODEL NUMBER

4279.400



Replace the "YYY" with appropriate finish code

POLISHED CHROME	002
POLISHED NICKEL	013
LEGACY BRONZE	278
STAINLESS STEEL	075

PART OF **LIXIL**

HOT LINE FOR HELP

For toll-free information and answers to your questions, call:
1 (800) 442-1902

Mon. - Fri. 8:00 a.m. to 8:00 p.m. EST

Saturday 10:00 a.m. to 4:00 p.m. EST

IN CANADA 1-800-387-0369

(TORONTO 1-905-306-1093)

Weekdays 8:00 a.m. to 7:00 p.m. EST

IN MEXICO 01-800-839-1200

