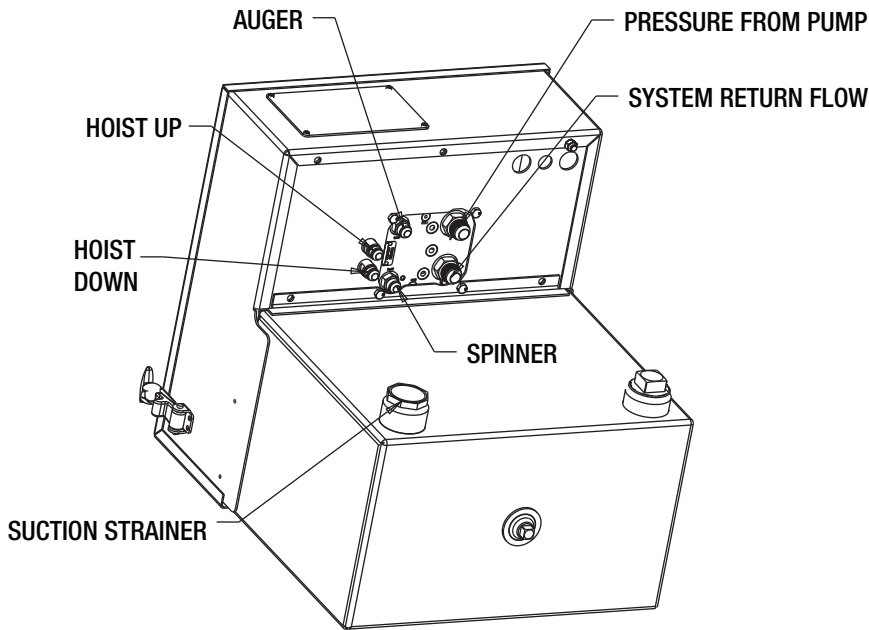


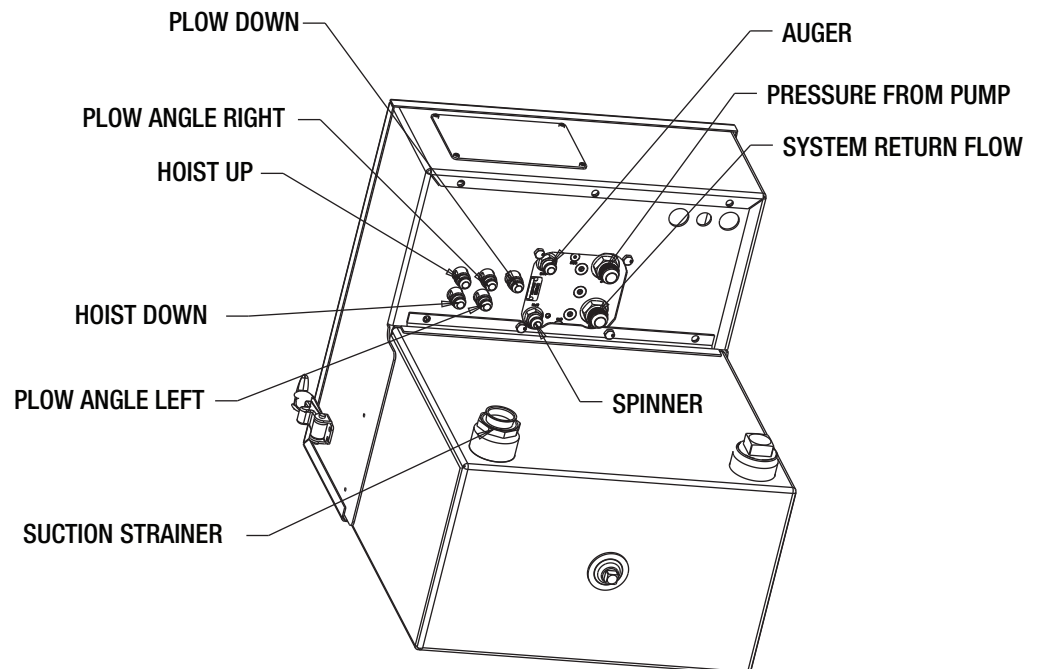
Installation Instructions

6381560, 6381561, 6381540, 6381541
Central Hydraulic System

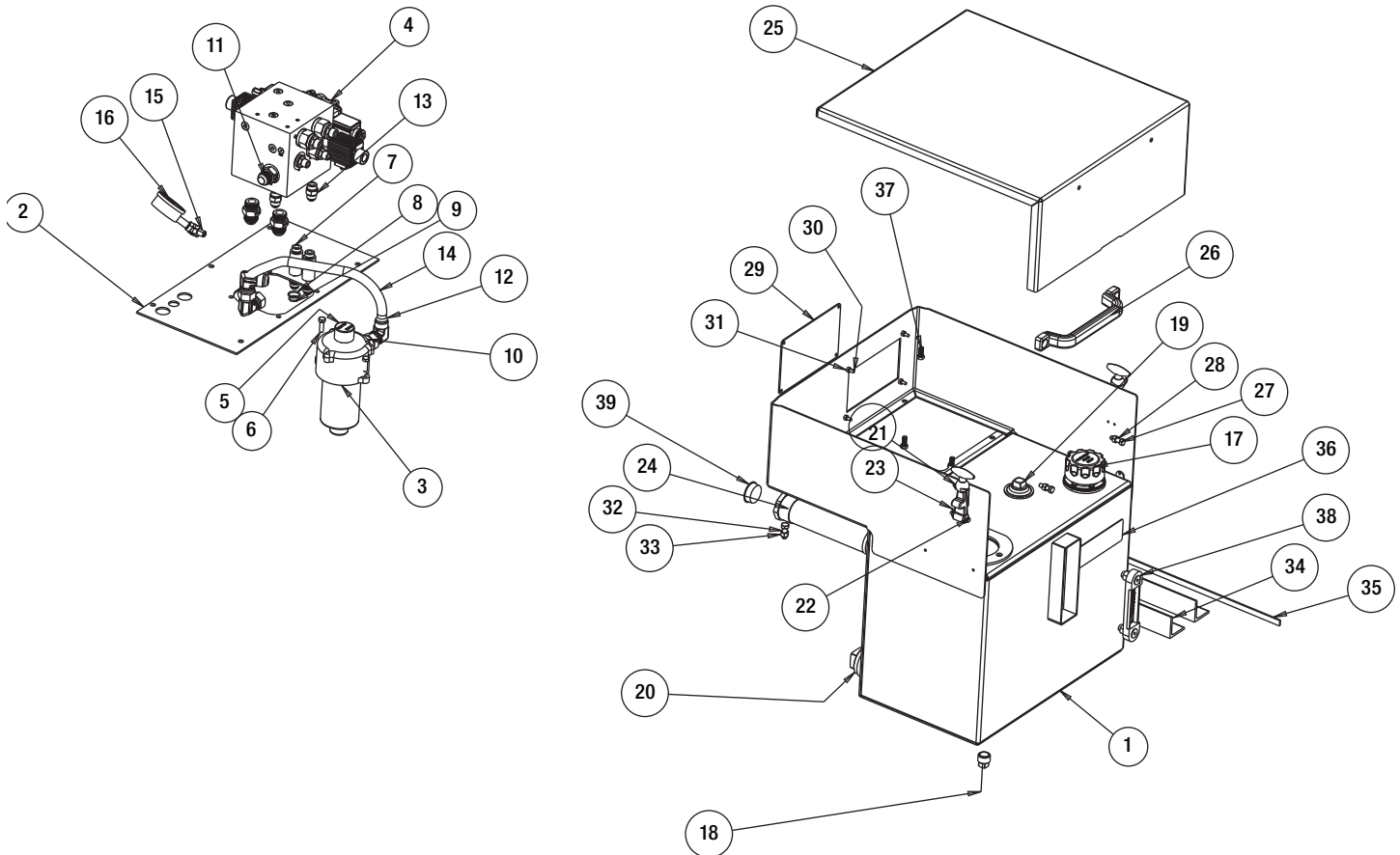
4 FUNCTION OPTION



6 FUNCTION OPTION



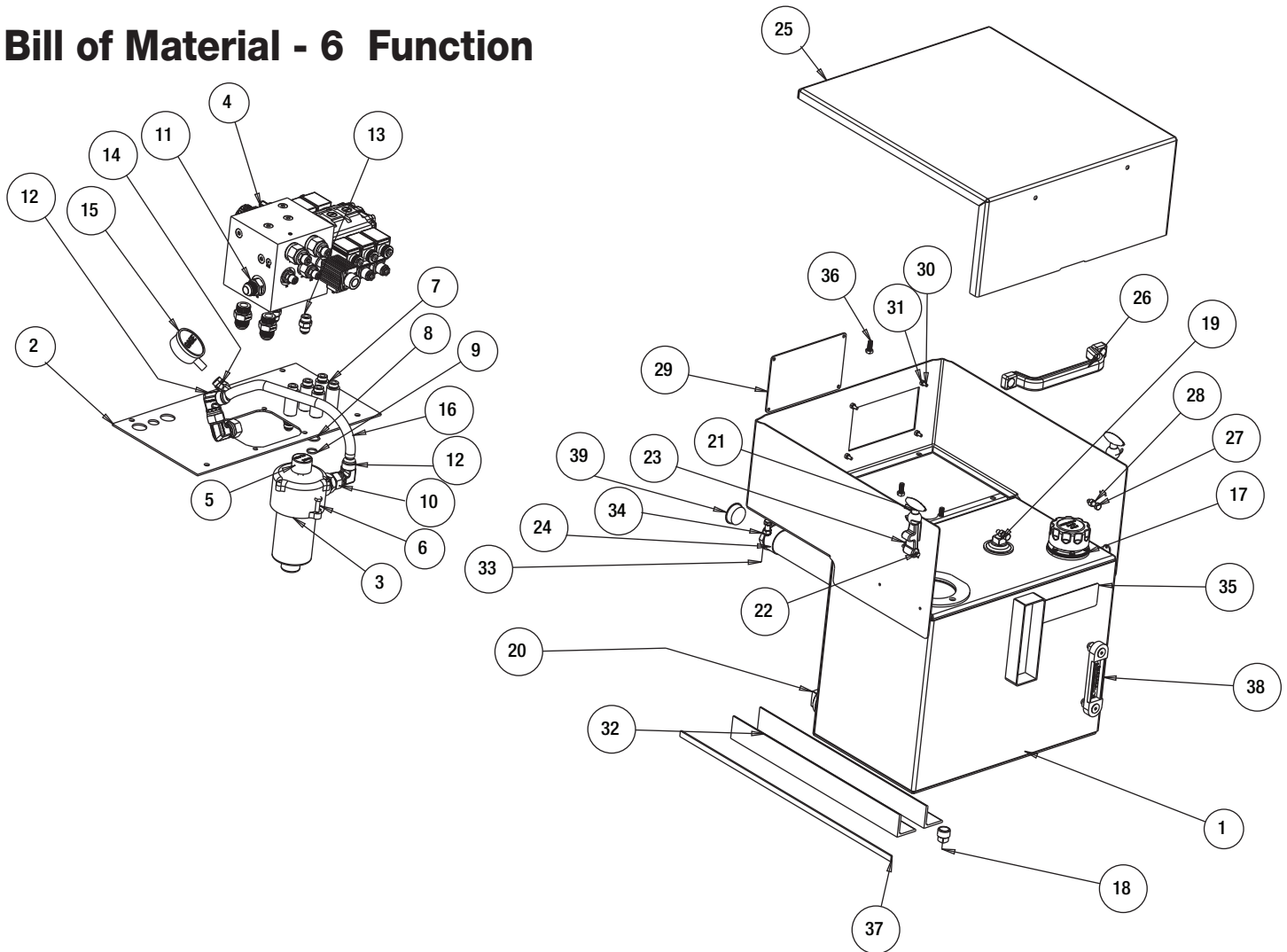
Bill of Material - 4 Function



ITEM	PART NO.	QTY.	DESCRIPTION
1	3031313	1	TANK, 15 GAL WELDMENT
2	3031565	1	PLATE, VALVE MOUNT
3	HFA91025	1	FILTER, HYDRAULICS
4	3030998	1	VALVE, 4 FUNCTIONS
5	BT115P	1	GAGE, STEM MNT,
6	FCS031018100	2	SCREW, CAP HEX 5/16-18 X 1 GR5 ZN
7	3031006	2	ADAPTER, SPACER-RELIEF
8	H910	5	O-RING, #10 SAE
9	H908	5	O-RING, #8 SAE
10	H5205X12X16	1	CONNECTOR, MALE JIC TO MALE NPT-3/4X1"
11	H5315X12	3	CONNECTOR, MALE JIC TO MALE 3/4 X 3/4
12	H5506X12	3	ELBOW, 90DEG SWIVEL NUT 3/4IN
13	H5315X8	2	ADAPTOR, STR, 1/2" JIC TO 1/2" SAE ORB
14	3031562	1	HOSE ASY, 5/8ID 3/4 FEM JIC X 15L
15	H3359X4	1	ELBOW, 45 ADAPTER, STREET 1/4"
16	HPGS5	1	GAGE, PRESS 2 1/2 IN
17	TFAN3	1	CAP, FILLER BREATHER ASSY. W/ STAINER
18	PPM12	1	PLUG, 3/4 NPT MGNTC, W/SEALANT
19	PP100	1	PLUG, 1 IN NPT
20	PP200	1	PIPE, PLUG, 1-1/2 NPT MALEABLE IRON

ITEM	PART NO.	QTY.	DESCRIPTION
21	3002398	2	STRAP, HOOD LATCH
22	3002390	2	PIN, CLEVIS 3/16" X 1-11/16" SST
23	3002392	2	PIN, COTTER 1/16" X 1/2" SST
24	SW2001253	1	TANK FILTER, 2" NPTF
25	3030695	1	LID, WELDMENT COVER
26	B239911P	1	HANDLE, GRAB, POLY-COATED
27	3018701	2	SCREW, HEX HD CAP 5/16-18 X 1.0 SST
28	FNE031018034	2	NUT, NYLOCK 5/16-18 ZN
29	3031002	1	COVER, RECT SMALL
30	3016941	4	SCREW, HEX SOCKET HEAD, 10-24 X 3/4, SST
31	3018644	4	NUT, NYLOCK, #10-24, ZINC
32	FCS038016100SS	5	SCREW, HHC 3/8-16 X 1 304 SST
33	FNE038016044SS	5	NUT, NYLOCK 3/8-16 X 7/16 SST
34	3030985	2	ANGLE, SST, 3/16 X 2X2 BY xL
35	3003145	1	GASKET, .125 X.5 X 8FT
36	0208490	1	DECAL, BUYERS, WHITE/CLR
37	3031566	4	SCREW, M8 X 20MM
38	LDR02	1	GAUGE, OIL LEVEL
39	CP17S	1	CAP PLUG, 1 1/4 NPT INTERNAL

Bill of Material - 6 Function



ITEM	PART NO.	QTY.	DESCRIPTION
1	3031313	1	TANK, 15 GAL WELDMENT
2	3031003	1	PLATE, VALVE MOUNT
3	HFA91025	1	FILTER, HYDRAULICS
4	3030921	1	VALVES, 6 FUNC, HIC SNOW/ICE HYBRID
5	BT115P	1	GAGE, STEM MNT,
6	FCS031018100	2	SCREW, CAP HEX 5/16-18 X 1 GR5 ZN
7	3031006	5	ADAPTER, SPACER-RELIEF
8	H910	5	O-RING, #10 SAE
9	H908	5	O-RING, #8 SAE
10	H5205X12X16	1	CONNECTOR, MALE JIC TO MALE NPT-3/4X1"
11	H5315X12	3	CONNECTOR, MALE JIC TO MALE 3/4 X 3/4
12	H5506X12	3	ELBOW, 90DEG SWIVEL NUT 3/4IN
13	H5315X8	2	ADAPTOR, STR, 1/2" JIC TO 1/2" SAE ORB
14	H3359X4	1	ELBOW, 45 ADAPTER, STREET 1/4"
15	HPGS5	1	GAGE, PRESS 2 1/2 IN
16	3031562	1	HOSE ASY, 5/8ID 3/4 FEM JIC X 15L
17	TFAN3	1	CAP, FILLER BREATHER ASSY. W/ STAINER
18	PPM12	1	PLUG, 3/4 NPT MGNTC, W/SEALANT
19	PP100	1	PLUG, 1 IN NPT
20	PP200	1	PIPE, PLUG, 1-1/2 NPT MALEABLE IRON

ITEM	PART NO.	QTY.	DESCRIPTION
21	3002398	2	STRAP, HOOD LATCH
22	3002390	2	PIN, CLEVIS 3/16" X 1-11/16" SST
23	3002392	2	PIN, COTTER 1/16" X 1/2" SST
24	SW2001253	1	TANK FILTER, 2" NPTF
25	3030695	1	LID, WELDMENT COVER
26	B239911P	1	HANDLE, GRAB, POLY-COATED
27	3018701	2	SCREW, HEX HD CAP 5/16-18 X 1.0 SST
28	FNE031018034	2	NUT, NYLOCK 5/16-18 ZN
29	3031002	1	COVER, RECT SMALL
30	3016941	4	SCREW, HEX SOCKET HEAD, 10-24 X 3/4, SST
31	3018644	4	NUT, NYLOCK, #10-24, ZINC
32	3030985	2	ANGLE, SST, 3/16 X 2X2 BY xL
33	FCS038016100SS	5	SCREW, HHC 3/8-16 X 1 304 SST
34	FNE038016044SS	5	NUT, NYLOCK 3/8-16 X 7/16 SST
35	0208490	1	DECAL, BUYERS, WHITE/CLR
36	3031566	4	SCREW, M8 X 20MM
37	3003145_XX96	1	GASKET, .125 X .5 X 8FT
38	LDR02	1	GAUGE, OIL LEVEL
39	CP17S	1	CAP PLUG, 1 1/4 NPT INTERNAL



WARRANTY

Buyers Products Co. warrants all truck/trailer hardware manufactured or distributed by it, to be free from defects in material and workmanship for a period of one year from date of shipment. Parts must be properly installed and used under normal conditions. Any product which has been altered, including modification, misuse, accident or lack of maintenance will not be considered under warranty. Normal wear is excluded. The sole responsibility of Buyers Products Co. under this warranty is limited to repairing or replacing any part or parts which are returned, prepaid, and are found to be defective by Buyers Products Co. Authorization from Buyers Products Co. must be obtained before returning any part. No charges for transportation or labor performed on Buyers' products will be allowed under this warranty.