

# Zelio Soft 2

## Applications Examples Guide

09/2017

E100000002600.00

[www.schneider-electric.com](http://www.schneider-electric.com)



---

The information provided in this documentation contains general descriptions and/or technical characteristics of the performance of the products contained herein. This documentation is not intended as a substitute for and is not to be used for determining suitability or reliability of these products for specific user applications. It is the duty of any such user or integrator to perform the appropriate and complete risk analysis, evaluation and testing of the products with respect to the relevant specific application or use thereof. Neither Schneider Electric nor any of its affiliates or subsidiaries shall be responsible or liable for misuse of the information contained herein. If you have any suggestions for improvements or amendments or have found errors in this publication, please notify us.

You agree not to reproduce, other than for your own personal, noncommercial use, all or part of this document on any medium whatsoever without permission of Schneider Electric, given in writing. You also agree not to establish any hypertext links to this document or its content. Schneider Electric does not grant any right or license for the personal and noncommercial use of the document or its content, except for a non-exclusive license to consult it on an "as is" basis, at your own risk. All other rights are reserved.

All pertinent state, regional, and local safety regulations must be observed when installing and using this product. For reasons of safety and to help ensure compliance with documented system data, only the manufacturer should perform repairs to components.

When devices are used for applications with technical safety requirements, the relevant instructions must be followed.

Failure to use Schneider Electric software or approved software with our hardware products may result in injury, harm, or improper operating results.

Failure to observe this information can result in injury or equipment damage.

© 2017 Schneider Electric. All Rights Reserved.

---

# Table of Contents

---



	<b>Safety Information</b> .....	<b>5</b>
	<b>About the Book</b> .....	<b>9</b>
<b>Chapter 1</b>	<b>Getting Started</b> .....	<b>13</b>
	Running the Example Programs .....	<b>13</b>
<b>Chapter 2</b>	<b>Applications in Ladder Language</b> .....	<b>15</b>
	Greenhouse Ventilation Panes .....	<b>16</b>
	Home Lighting .....	<b>20</b>
	Automatic Gate Control .....	<b>22</b>
	Underground Car Park Control .....	<b>24</b>
	Room Temperature Regulation .....	<b>27</b>
	Boiler Control .....	<b>30</b>
<b>Chapter 3</b>	<b>Applications in FBD Language</b> .....	<b>33</b>
	Greenhouse Ventilation Panes .....	<b>34</b>
	Home Lighting .....	<b>40</b>
	Automatic Gate Control .....	<b>43</b>
	Room Temperature Regulation .....	<b>45</b>
	Boiler Control .....	<b>48</b>
	School Bell .....	<b>50</b>
	Central Heating System with PWM Valve .....	<b>53</b>
	Central Heating System with Analog Valve .....	<b>56</b>
<b>Index</b>	.....	<b>59</b>



---

# Safety Information

---



## Important Information

### NOTICE

Read these instructions carefully, and look at the equipment to become familiar with the device before trying to install, operate, service, or maintain it. The following special messages may appear throughout this documentation or on the equipment to warn of potential hazards or to call attention to information that clarifies or simplifies a procedure.



The addition of this symbol to a “Danger” or “Warning” safety label indicates that an electrical hazard exists which will result in personal injury if the instructions are not followed.



This is the safety alert symbol. It is used to alert you to potential personal injury hazards. Obey all safety messages that follow this symbol to avoid possible injury or death.

## **DANGER**

**DANGER** indicates a hazardous situation which, if not avoided, **will result in** death or serious injury.

## **WARNING**

**WARNING** indicates a hazardous situation which, if not avoided, **could result in** death or serious injury.

## **CAUTION**

**CAUTION** indicates a hazardous situation which, if not avoided, **could result in** minor or moderate injury.

## **NOTICE**

**NOTICE** is used to address practices not related to physical injury.

---

## PLEASE NOTE

Electrical equipment should be installed, operated, serviced, and maintained only by qualified personnel. No responsibility is assumed by Schneider Electric for any consequences arising out of the use of this material.

A qualified person is one who has skills and knowledge related to the construction and operation of electrical equipment and its installation, and has received safety training to recognize and avoid the hazards involved.

## BEFORE YOU BEGIN

Do not use this product on machinery lacking effective point-of-operation guarding. Lack of effective point-of-operation guarding on a machine can result in serious injury to the operator of that machine.

 <b>WARNING</b>
<b>UNGUARDED EQUIPMENT</b>
<ul style="list-style-type: none"><li>• Do not use this software and related automation equipment on equipment which does not have point-of-operation protection.</li><li>• Do not reach into machinery during operation.</li></ul>
<b>Failure to follow these instructions can result in death, serious injury, or equipment damage.</b>



This automation equipment and related software is used to control a variety of industrial processes. The type or model of automation equipment suitable for each application will vary depending on factors such as the control function required, degree of protection required, production methods, unusual conditions, government regulations, etc. In some applications, more than one processor may be required, as when backup redundancy is needed.

Only you, the user, machine builder or system integrator can be aware of all the conditions and factors present during setup, operation, and maintenance of the machine and, therefore, can determine the automation equipment and the related safeties and interlocks which can be properly used. When selecting automation and control equipment and related software for a particular application, you should refer to the applicable local and national standards and regulations. The National Safety Council's Accident Prevention Manual (nationally recognized in the United States of America) also provides much useful information.

In some applications, such as packaging machinery, additional operator protection such as point-of-operation guarding must be provided. This is necessary if the operator's hands and other parts of the body are free to enter the pinch points or other hazardous areas and serious injury can occur. Software products alone cannot protect an operator from injury. For this reason the software cannot be substituted for or take the place of point-of-operation protection.

Ensure that appropriate safeties and mechanical/electrical interlocks related to point-of-operation protection have been installed and are operational before placing the equipment into service. All interlocks and safeties related to point-of-operation protection must be coordinated with the related automation equipment and software programming.

---

**NOTE:** Coordination of safeties and mechanical/electrical interlocks for point-of-operation protection is outside the scope of the Function Block Library, System User Guide, or other implementation referenced in this documentation.

## START-UP AND TEST

Before using electrical control and automation equipment for regular operation after installation, the system should be given a start-up test by qualified personnel to verify correct operation of the equipment. It is important that arrangements for such a check be made and that enough time is allowed to perform complete and satisfactory testing.

### **WARNING**

#### **EQUIPMENT OPERATION HAZARD**

- Verify that all installation and set up procedures have been completed.
- Before operational tests are performed, remove all blocks or other temporary holding means used for shipment from all component devices.
- Remove tools, meters, and debris from equipment.

**Failure to follow these instructions can result in death, serious injury, or equipment damage.**

Follow all start-up tests recommended in the equipment documentation. Store all equipment documentation for future references.

#### **Software testing must be done in both simulated and real environments.**

Verify that the completed system is free from all short circuits and temporary grounds that are not installed according to local regulations (according to the National Electrical Code in the U.S.A, for instance). If high-potential voltage testing is necessary, follow recommendations in equipment documentation to prevent accidental equipment damage.

Before energizing equipment:

- Remove tools, meters, and debris from equipment.
- Close the equipment enclosure door.
- Remove all temporary grounds from incoming power lines.
- Perform all start-up tests recommended by the manufacturer.

---

## OPERATION AND ADJUSTMENTS

The following precautions are from the NEMA Standards Publication ICS 7.1-1995 (English version prevails):

- Regardless of the care exercised in the design and manufacture of equipment or in the selection and ratings of components, there are hazards that can be encountered if such equipment is improperly operated.
- It is sometimes possible to misadjust the equipment and thus produce unsatisfactory or unsafe operation. Always use the manufacturer's instructions as a guide for functional adjustments. Personnel who have access to these adjustments should be familiar with the equipment manufacturer's instructions and the machinery used with the electrical equipment.
- Only those operational adjustments actually required by the operator should be accessible to the operator. Access to other controls should be restricted to prevent unauthorized changes in operating characteristics.



---

# About the Book

---



## At a Glance

### Document Scope

This document describes a number of example projects for Zelio Logic smart relay in the Ladder and FBD programming languages.

The examples described in this document are intended for learning purposes only. They must not be used directly on products that are part of a machine or process.

## WARNING

### UNINTENDED EQUIPMENT OPERATION

Do not include any wiring information, programming or configuration logic, or parameterization values from the Examples in your machine or process without thoroughly testing your entire application.

**Failure to follow these instructions can result in death, serious injury, or equipment damage.**

This document and its related Zelio Soft 2 project files focus on specific functions and function blocks provided with Zelio Soft 2, and on specific features available in Zelio Soft 2. They are intended to help you understand how to develop, test, commission, and integrate applicative software of your own design in your control systems.

The examples are intended for new Zelio Soft 2 users who already have some degree of expertise in the design and programming of control systems.

### Validity Note

This documentation is valid for Zelio Soft 2 V5.1.


### Related Documents

Title of Documentation	Reference Number
Zelio Logic Smart Relay User Manual	<a href="#">EIO0000002690 (ENG)</a> <a href="#">EIO0000002692 (GER)</a> <a href="#">EIO0000002691 (FRE)</a> <a href="#">EIO0000002693 (SPA)</a> <a href="#">EIO0000002694 (ITA)</a> <a href="#">EIO0000002695 (POR)</a>


Title of Documentation	Reference Number
Zelio Logic Programming Guide	<a href="#">EIO0000002612 (ENG)</a> <a href="#">EIO0000002613 (FRE)</a> <a href="#">EIO0000002614 (GER)</a> <a href="#">EIO0000002615 (SPA)</a> <a href="#">EIO0000002616 (ITA)</a> <a href="#">EIO0000002617 (POR)</a>

You can download these technical publications and other technical information from our website at <http://www.schneider-electric.com/en/download>

### Product Related Information

 <b>WARNING</b>
<p><b>LOSS OF CONTROL</b></p> <ul style="list-style-type: none"> <li>● The designer of any control scheme must consider the potential failure modes of control paths and, for certain critical control functions, provide a means to achieve a safe state during and after a path failure. Examples of critical control functions are emergency stop and overtravel stop, power outage and restart.</li> <li>● Separate or redundant control paths must be provided for critical control functions.</li> <li>● System control paths may include communication links. Consideration must be given to the implications of unanticipated transmission delays or failures of the link.</li> <li>● Observe all accident prevention regulations and local safety guidelines.<sup>1</sup></li> <li>● Each implementation of this equipment must be individually and thoroughly tested for proper operation before being placed into service.</li> </ul> <p><b>Failure to follow these instructions can result in death, serious injury, or equipment damage.</b></p>

<sup>1</sup> For additional information, refer to NEMA ICS 1.1 (latest edition), "Safety Guidelines for the Application, Installation, and Maintenance of Solid State Control" and to NEMA ICS 7.1 (latest edition), "Safety Standards for Construction and Guide for Selection, Installation and Operation of Adjustable-Speed Drive Systems" or their equivalent governing your particular location.

 <b>WARNING</b>
<p><b>UNINTENDED EQUIPMENT OPERATION</b></p> <ul style="list-style-type: none"> <li>● Only use software approved by Schneider Electric for use with this equipment.</li> <li>● Update your application program every time you change the physical hardware configuration.</li> </ul> <p><b>Failure to follow these instructions can result in death, serious injury, or equipment damage.</b></p>

---

## Terminology Derived from Standards

The technical terms, terminology, symbols and the corresponding descriptions in this manual, or that appear in or on the products themselves, are generally derived from the terms or definitions of international standards.

In the area of functional safety systems, drives and general automation, this may include, but is not limited to, terms such as *safety*, *safety function*, *safe state*, *fault*, *fault reset*, *malfunction*, *failure*, *error*, *error message*, *dangerous*, etc.

Among others, these standards include:

Standard	Description
EN 61131-2:2007	Programmable controllers, part 2: Equipment requirements and tests.
ISO 13849-1:2008	Safety of machinery: Safety related parts of control systems. General principles for design.
EN 61496-1:2013	Safety of machinery: Electro-sensitive protective equipment. Part 1: General requirements and tests.
ISO 12100:2010	Safety of machinery - General principles for design - Risk assessment and risk reduction
EN 60204-1:2006	Safety of machinery - Electrical equipment of machines - Part 1: General requirements
EN 1088:2008 ISO 14119:2013	Safety of machinery - Interlocking devices associated with guards - Principles for design and selection
ISO 13850:2006	Safety of machinery - Emergency stop - Principles for design
EN/IEC 62061:2005	Safety of machinery - Functional safety of safety-related electrical, electronic, and electronic programmable control systems
IEC 61508-1:2010	Functional safety of electrical/electronic/programmable electronic safety-related systems: General requirements.
IEC 61508-2:2010	Functional safety of electrical/electronic/programmable electronic safety-related systems: Requirements for electrical/electronic/programmable electronic safety-related systems.
IEC 61508-3:2010	Functional safety of electrical/electronic/programmable electronic safety-related systems: Software requirements.
IEC 61784-3:2008	Digital data communication for measurement and control: Functional safety field buses.
2006/42/EC	Machinery Directive
2014/30/EU	Electromagnetic Compatibility Directive
2014/35/EU	Low Voltage Directive

---

In addition, terms used in the present document may tangentially be used as they are derived from other standards such as:

Standard	Description
IEC 60034 series	Rotating electrical machines
IEC 61800 series	Adjustable speed electrical power drive systems
IEC 61158 series	Digital data communications for measurement and control – Fieldbus for use in industrial control systems

Finally, the term *zone of operation* may be used in conjunction with the description of specific hazards, and is defined as it is for a *hazard zone* or *danger zone* in the *Machinery Directive (2006/42/EC)* and *ISO 12100:2010*.

**NOTE:** The aforementioned standards may or may not apply to the specific products cited in the present documentation. For more information concerning the individual standards applicable to the products described herein, see the characteristics tables for those product references.

---

# Chapter 1

## Getting Started

---

### Running the Example Programs


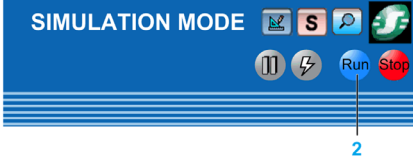
#### Locating the Example Programs

The example programs are located in the Zelio Soft 2 installation folder:  
*Zelio Soft 2\Z2user\examples.*

The example programs are:

File name	Description
<b>Ladder language</b>	
gestion_serre_ladder.zm2	Greenhouse ventilation pane control ( <i>see page 16</i> ).
eclairage_habitation_ladder.zm2	Home lighting ( <i>see page 20</i> ).
Portail_ladder.zm2	Automatic gate control ( <i>see page 22</i> ).
Parking Souterrain ladder.zm2	Underground car park control ( <i>see page 24</i> ).
regulation_temperature_ladder.zm2	Room temperature regulation ( <i>see page 27</i> ).
Chaudiere_ladder.zm2	Boiler control ( <i>see page 30</i> ).
<b>FBD language</b>	
gestion_serre_fbd.zm2	Greenhouse ventilation pane control ( <i>see page 34</i> ).
eclairage_habitation_fbd.zm2 eclairage_habitation_fbd_grafcet.zm2	Home lighting ( <i>see page 40</i> ).
Portail_fbd.zm2	Automatic gate control ( <i>see page 43</i> ).
regulation_temperature_fbd.zm2	Room temperature regulation ( <i>see page 45</i> ).
Chaudiere_fbd.zm2	Boiler control ( <i>see page 48</i> ).
Sonnerie_fbd.zm2	School bell ( <i>see page 50</i> ).
Heating_PWM_fbd.zm2	Central heating system with PWM valve ( <i>see page 53</i> ).
Heating_analog_fbd.zm2	Central heating system with analog valve ( <i>see page 56</i> ).

## Launching an Example in Zelio Soft 2 Programming Software

Step	Action
1	Start the Zelio Soft 2 software.
2	Select <b>Open an existing program</b> .
3	Choose the example program to be launched.
4	Select <b>Simulation mode (1)</b> . 
5	Execute the program by pressing <b>RUN (2)</b> . 

Floating pop-ups are available to change and view the input/output status. To display/hide them, use the icon bar at the bottom of the screen:



---

# Chapter 2

## Applications in Ladder Language

---

### What Is in This Chapter?

This chapter contains the following topics:

Topic	Page
Greenhouse Ventilation Panes	16
Home Lighting	20
Automatic Gate Control	22
Underground Car Park Control	24
Room Temperature Regulation	27
Boiler Control	30

## Greenhouse Ventilation Panes

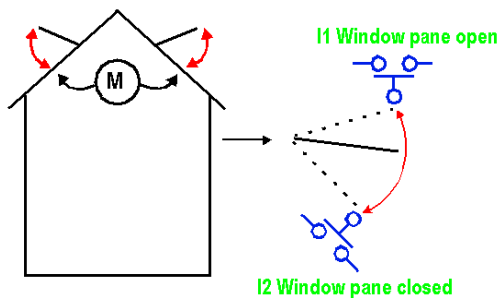
### Description

This example describes how greenhouse ventilation panes can be managed automatically.

### Specifications

The owner of a greenhouse would like to acquire an installation to manage the opening and closing of the ventilation window panes located on the greenhouse roof.

The greenhouse has two window panes to provide ventilation. The opening of these window panes is controlled by a motor and 2 sensors that indicate whether the window panes are open or closed:



During the day, the window panes open to ventilate the structure from 12:00 to 15:00, at the time of day when, in principle, the temperature is the highest. However, if the temperature is less than 10 °C, the window panes do not open, or when they are already open, they close.

In addition, the window panes open during the day when the temperature reaches 25 °C. If the temperature falls below 25 °C, the window panes must close again.

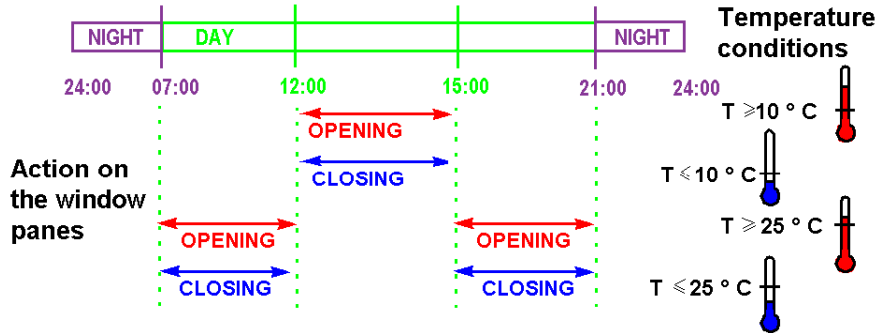
Finally, at night, the window panes remain closed regardless of the temperature.

Program description, 3 time ranges are used:

- Range 1: Night, from 21:00 to 07:00
- Range 2: Day, from 07:00 to 12:00 and from 15:00 to 21:00
- Range 3: Noon, from 12:00 to 15:00



Summary:



### Input/Output Table

Description of the inputs:

Input	Description
I1	Window panes open (Discrete)
I2	Window panes closed (Discrete)
IB	Temperature (analog)

Description of the outputs:

Output	Description
Q1	Opening of the window panes (Discrete)
Q2	Closing of the window panes (Discrete)

The temperature is supplied by a sensor with output voltage of 0 to 10 V.

### Required Reference

For this application, a smart relay with a clock and analog inputs is required:

- SR2B121BD (24 Vdc),
- SR2B122BD (24 Vdc),
- SR2B121JD (12 Vdc).

### The LD Wiring Sheet

This figure shows the example with Ladder symbols display:

	Contact 1	Contact 2	Contact 3	Contact 4	Contact 5	Coil	Comment
001	 <input type="checkbox"/> Noon		A2 <input type="checkbox"/> T> 10°C		i1 <input type="checkbox"/> Window panes open	[Q1]	
002	 <input type="checkbox"/> Day		A1 <input type="checkbox"/> T> 25°C			<input type="checkbox"/> Open window panes	
003	 <input type="checkbox"/> Noon		a2 <input type="checkbox"/> T> 10°C		i2 <input type="checkbox"/> Window panes closed	[Q2]	
004	 <input type="checkbox"/> Day		a1 <input type="checkbox"/> T> 25°C			<input type="checkbox"/> Close window panes	
005	 <input type="checkbox"/> Night						

### Description of the Parameters

#### Daily programmer H1:

Channel C:

**Channel C**

MO
  TU
  WE
  TH
  FR
  SA
  SU

ON  (hh:mm) OFF  (hh:mm)

The other channels (A, B, D) are not configured.

**Daily programmer H2:**

Channel C:

- ON: 07:00 OFF 12:00,
- The other parameters are the same as for programmer H1.

Channel D:

- ON: 15:00 OFF 21:00,
- The other parameters are the same as for programmer H1.

The other channels (A, B) are not configured.

**Daily programmer H3:**

Channel C:

- ON: 12:00 OFF 15:00,
- The other parameters are the same as for programmer H1.

The other channels (A, B, D) are not configured.

**Analog comparator a1**

Val1 < Val2

7.0 < IB

Comparison operator	<input checked="" type="radio"/> > <input type="radio"/> ≥ <input type="radio"/> = <input type="radio"/> ≠ <input type="radio"/> ≤ <input type="radio"/> < <input type="radio"/> ±H
Value 1	Reference Value ▼
Value 2	IB ▼
Reference value (Volts)	<input style="width: 100%;" type="text" value="7.0"/>
Hysteresis (Volts)	<input style="width: 100%;" type="text" value="0"/>

**Analog comparator A2**

- Reference value: 3 Volts.

The other parameters are the same as for programmer A1.

## Home Lighting

### Specifications

A homeowner would like to install a system capable of controlling the lighting of a stairway and outdoor entrance providing access to the house.

Program features:

- *Outdoor lighting:* The circuit is activated at night by a twilight switch. A sensor detects any motion and activates the outdoor lighting for 2 minutes.
- *Indoor lighting:* Two pushbuttons are located in the stairwell; one in the entrance and other at the top of the stairs. Their function is identical. Time-delayed (2 minutes) lighting is obtained by pressing one of the buttons.

### Input/Output Table

Description of the inputs:

Input	Description
I1	Motion sensor
I2	Twilight switch
I3	Pushbutton
I4	Pushbutton

Description of the outputs:

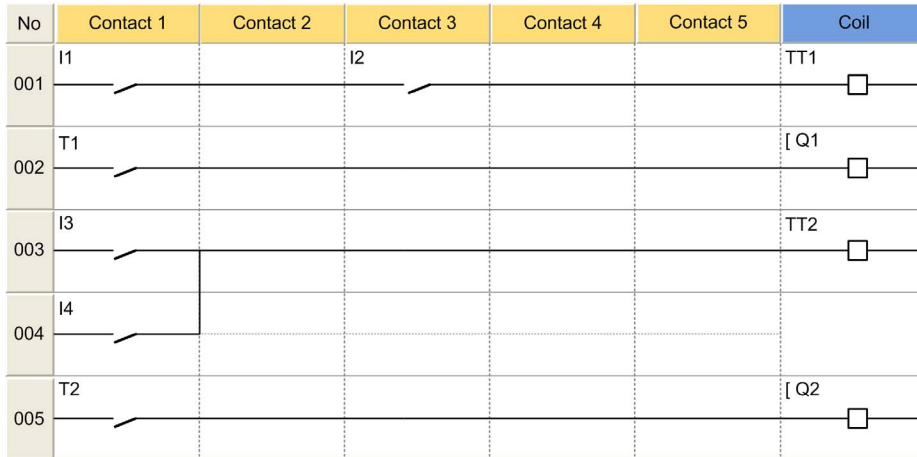
Output	Description
Q1	Outdoor lighting
Q2	Indoor lighting

### Required Reference

For this application, no specific conditions are required.

## The LD Wiring Sheet

This figure shows the example with Electrical symbols display:



## Automatic Gate Control

### Specifications

A homeowner wants to control access to his residence by an automatic gate equipped with a dual direction (opening and closing) motor.

Program features:

- *Opening*: Whether the gate is closed or in an intermediate position, the remote control signal causes the full opening of the gate. During the opening process, any new action on the remote control stops or restarts the motor.

When the gate is fully open, there is a 4 second time delay before closing can start.

- *Closing*: During the closing process, if the remote control is activated or if the sensor detects motion, the gate is opened. As long as the sensor is activated (for example, a vehicle stopped in the passage way), the gate remains fully open.

### Input/Output Table

Description of the inputs:

Input	Description
I1	Remote control
I2	Gate closed position
I3	Gate opened position
I4	Motion sensor

Description of the outputs:

Output	Description
Q1	Gate opening
Q2	Gate closing

### Required Reference

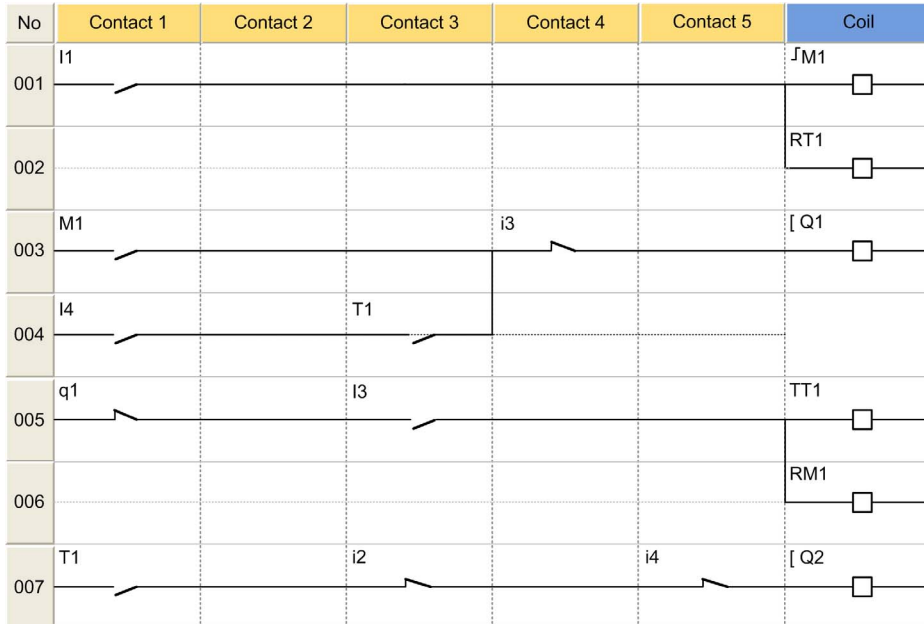
For this application, no specific conditions are required.

### Advantages of the Application

The feature of being able to stop the gate opening or closing when the remote control signal is detected is an advantage for this type of application.

## The LD Wiring Sheet

This figure shows the example with Electrical symbols display:



## Underground Car Park Control

### Specifications

This example completes and centralizes the control of the underground car park of an administration building.

Program features:

- *Vehicle entrance/exit control*: Access is allowed by an automatic barrier. Users can access the car park during business hours: Monday to Friday from 8:30 to 17:30, Saturday from 09:30 to 12:00. However, it is possible to manually inhibit the closing of the barrier by pressing **Z4** (function restored by pressing **Z2**), in case of an exceptional event.
- *Counting*: The car park capacity is limited to 93 vehicles. A counter blocks access to the car park if it is full and controls a light panel indicating Car Park Full. It is also possible to manually increment or decrement the number of vehicles present in the car park (using **Z1** and **Z3**).
- *CO<sub>2</sub> level*: A carbon dioxide (CO<sub>2</sub>) sensor indicates when the level exceeds the defined limit and controls the operation of a fan (10 minutes).
- *Light*: The lighting switches on for 2 minutes each time a vehicle enters the car park or whenever a pedestrian presses the switch.

### Input/Output Table

Description of the inputs:

Input	Description
I1	Vehicle entry
I2	Vehicle exit
I3, I4	Pushbuttons at pedestrian access points
IB	Carbon dioxide (CO <sub>2</sub> ) level sensor
Z1	Manually increments the number of vehicles
Z2	Resumes automatic entry control
Z3	Manually decrements the number of vehicles
Z4	Manual release of entry barrier

Description of the outputs:

Output	Description
Q1	Indicates when the car park is full.
Q2	Locks the entry barrier
Q3	Lighting
Q4	Fan control



### Required Reference

For this example, a clock and analog inputs are required:

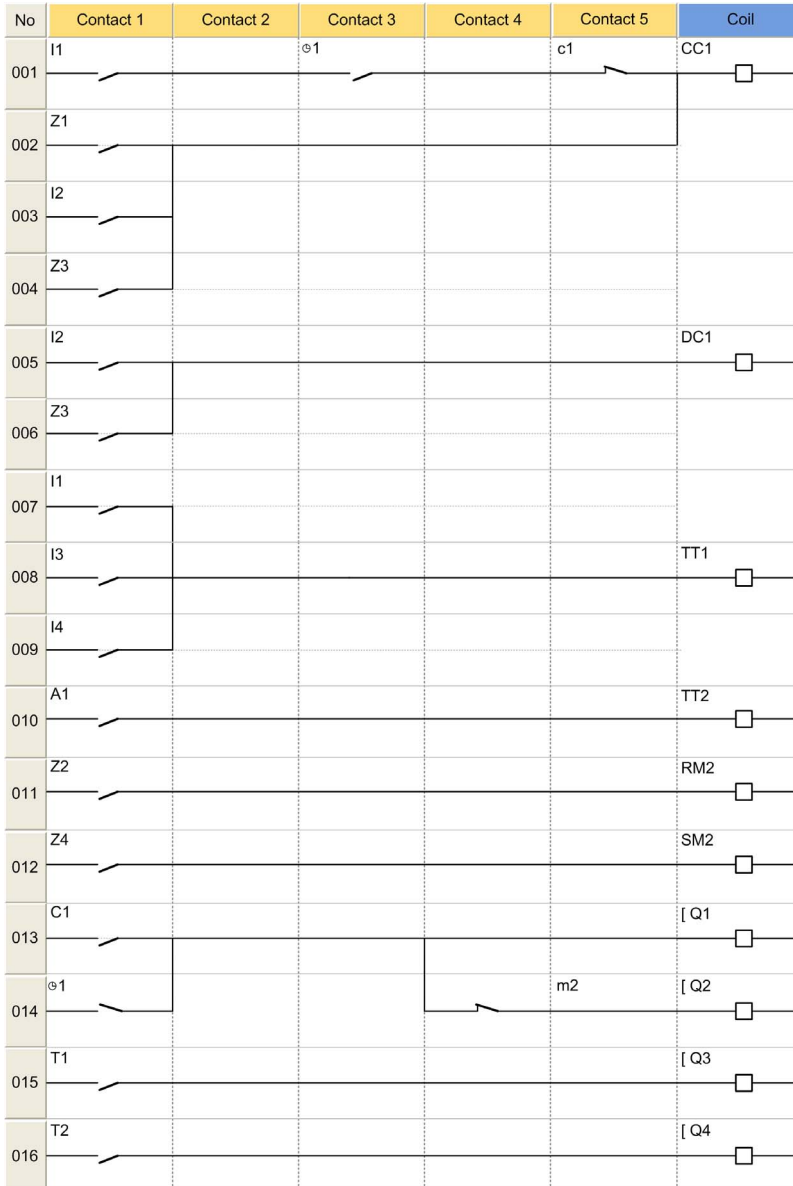
- **SR2B121BD** (24 Vdc),
- **SR2B121JD** (12 Vdc).

### Advantages of the Application

Full car park control using one smart relay.

### The LD Wiring Sheet

This figure shows the example with Electrical symbols display:



## Room Temperature Regulation

### Specifications

The ambient temperature of a room is controlled in heating mode by a heater and a fan, and in cooling mode by a fan only. A heat sensor provides a 0...10 V signal. A switch is used to deactivate temperature regulation.

Changes of input and output values can be monitored in a supervision window.

Program Description:

- Input **I1** = 0: Temperature regulation is off
- Input **I1** = 1: Temperature regulation is on
- Input **I2** = 0: Cooling mode
- Input **I2** = 1: Heating mode

### Input/Output Table

Description of the inputs:

Input	Description
<b>I1</b>	On/Off switch
<b>I2</b>	Mode selection
<b>IB</b>	Ambient temperature (analog input)
<b>IC</b>	Setpoint (analog input)

Description of the outputs:

Output	Description
<b>Q1</b>	Heater
<b>Q2</b>	Fan

The temperature is supplied by a sensor with output voltage of 0...10 V.

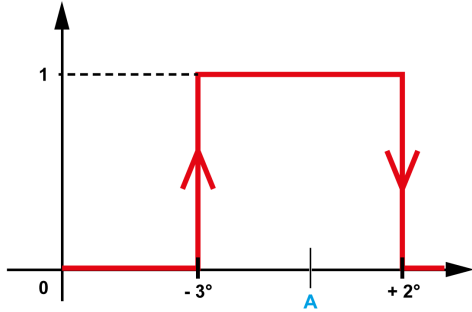
**NOTE:** To simulate this program, first adjust the setpoint using analog input **IC** and then switch on the temperature regulation (**I1** = 1, click on **I1**). If the cooling mode is selected (**I2** = 0), the fan is activated as soon as the temperature exceeds 3 °C above the setpoint and will stop when it drops 2 °C below the setpoint. And conversely for the heating mode.

### Required Reference

For this application, Zelio Logic smart relay with analog inputs is required:

- **SR2B121BD** (24 Vdc),
- **SR2B121JD** (12 Vdc).

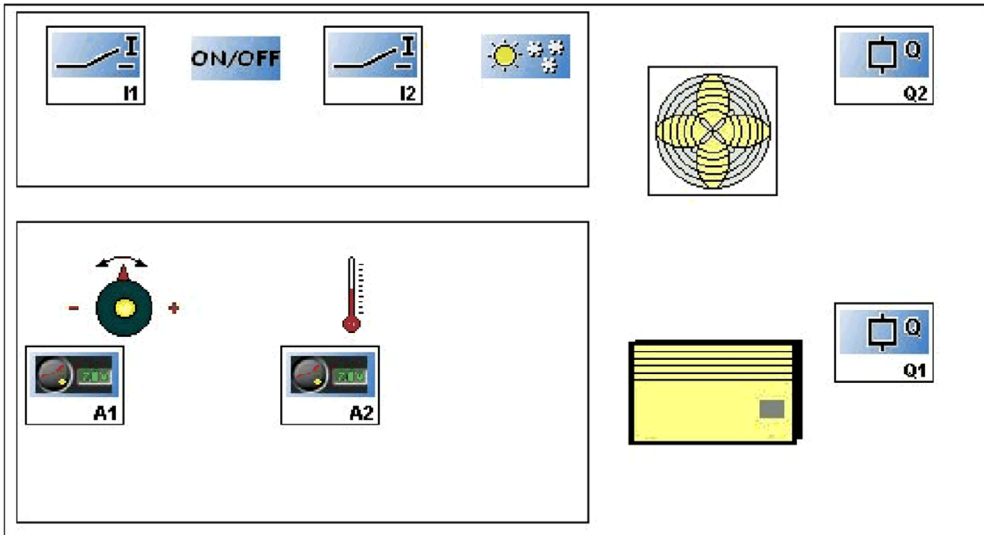
### Hysteresis



A Setpoint

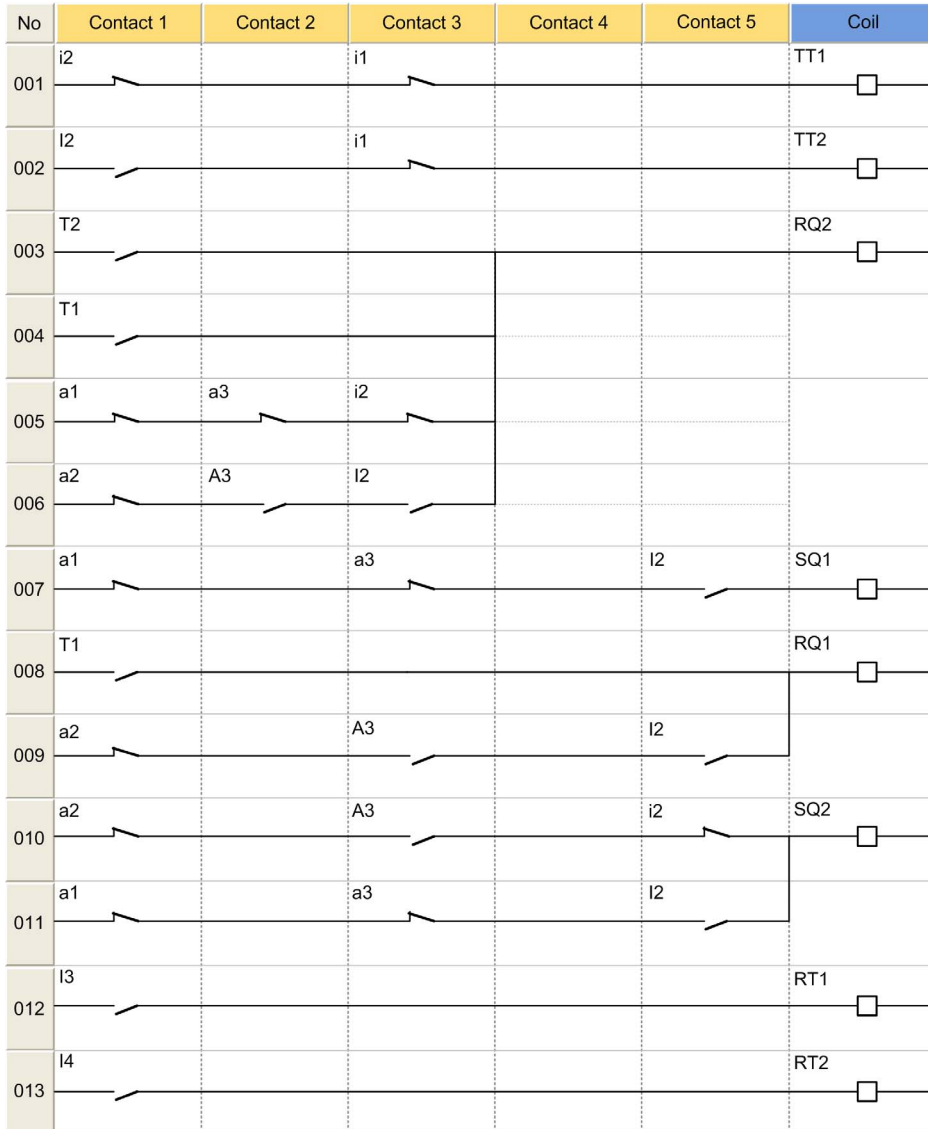
### Advantages of the Application

1. Use of 0...10 V analog inputs
2. The supervision window:



## The LD Wiring Sheet

This figure shows the example with Electrical symbols display:

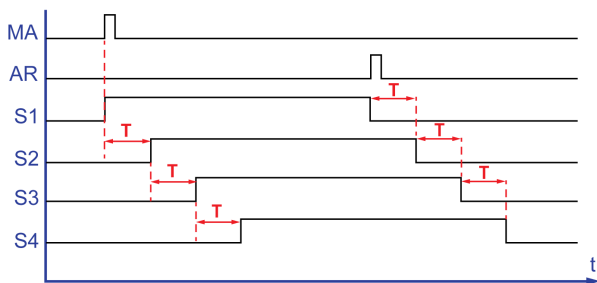


## Boiler Control

### Specifications

To avoid over-consumption of electricity on boiler start-up, the heating elements are heated progressively, and stopped progressively when the boiler is stopped.

This operating principle is shown by the following timing diagram:



An On (**MA**) button authorizes the activation of the first heating element (**S1**). After a time delay **T**, the second element (**S2**) starts up. After the same time delay, the third element starts up (**S3**), then the fourth element (**S4**) again after time-delay **T**. An Off (**AR**) button deactivates **S1**. The three other elements are progressively deactivated after time delay **T**.

Program description:

- Inputs: The program includes six **TIMER** function blocks. The function requires entering the same time delay value **T** in the six function blocks.
- As a result, if you modify one of the function blocks, you must enter the new selection in the six function blocks.

### Input/Output Table

Description of the inputs:

Input	Description
I1	On button
I2	Off button

Description of the outputs:

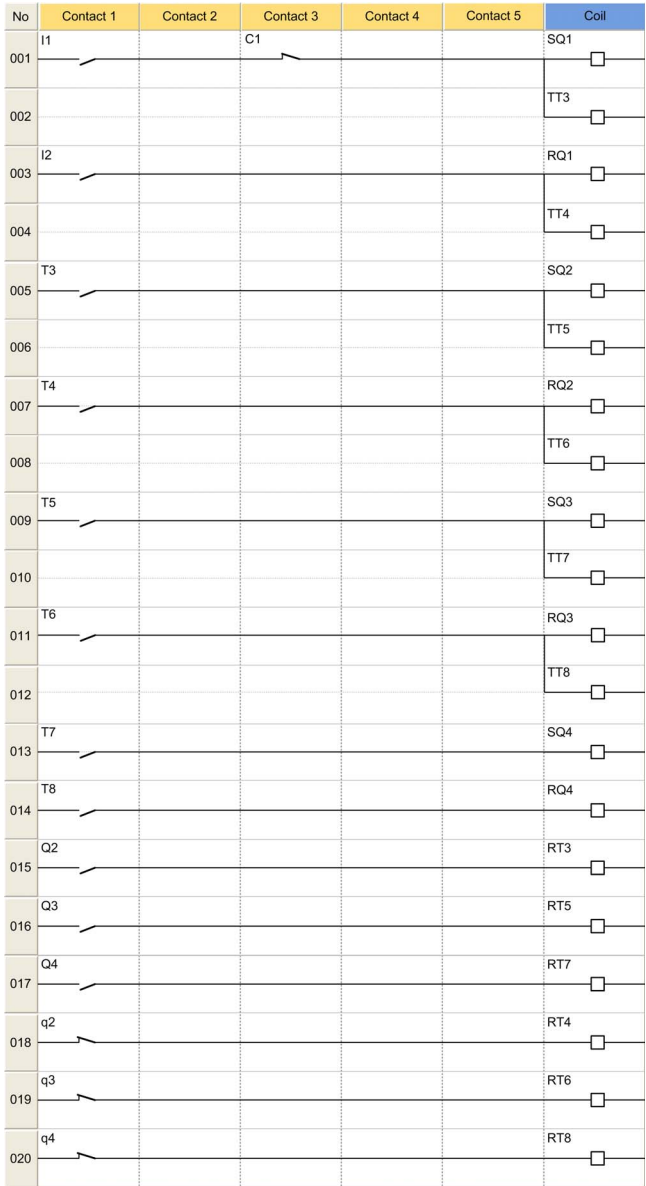
Output	Description
Q1	First heating element S1
Q2	Second heating element S2
Q3	Third heating element S3
Q4	Fourth heating element S4

### Required Reference

For this example, no specific conditions are required.

The LD Wiring Sheet

This figure shows the example with Electrical symbols display:





---

# Chapter 3

## Applications in FBD Language

---

### What Is in This Chapter?

This chapter contains the following topics:

Topic	Page
Greenhouse Ventilation Panes	34
Home Lighting	40
Automatic Gate Control	43
Room Temperature Regulation	45
Boiler Control	48
School Bell	50
Central Heating System with PWM Valve	53
Central Heating System with Analog Valve	56

## Greenhouse Ventilation Panes

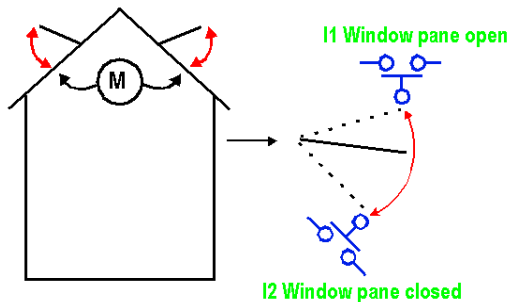
### Description

This example describes how greenhouse ventilation panes can be managed automatically.

### Specifications

The owner of a greenhouse would like to acquire an installation to manage the opening and closing of the ventilation window panes located on the greenhouse roof.

The greenhouse has two window panes to provide ventilation. The opening of these window panes is controlled by a motor and 2 sensors that indicate whether the window panes are open or closed:



During the day, the window panes open to ventilate the structure from 12:00 to 15:00, at the time of day when, in principle, the temperature is the highest. However, if the temperature is less than 10 °C, the window panes do not open, or when they are already open, they close.

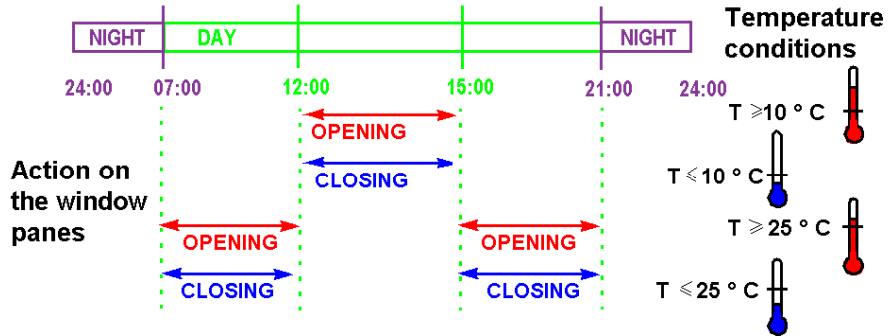
In addition, the window panes open during the day when the temperature reaches 25 °C. If the temperature falls below 25 °C, the window panes must close again.

Finally, at night, the window panes remain closed regardless of the temperature.

Program description, 3 time ranges are used:

- Range 1: Night, from 21:00 to 07:00
- Range 2: Day, from 07:00 to 12:00 and from 15:00 to 21:00
- Range 3: Noon, from 12:00 to 15:00

Summary:



### Input/Output Table

Description of the inputs:

Input	Description
I1	Window panes open (Discrete)
I2	Window panes closed (Discrete)
IB	Temperature (analog)

Description of the outputs:

Output	Description
Q1	Opening of the window panes (Discrete)
Q2	Closing of the window panes (Discrete)

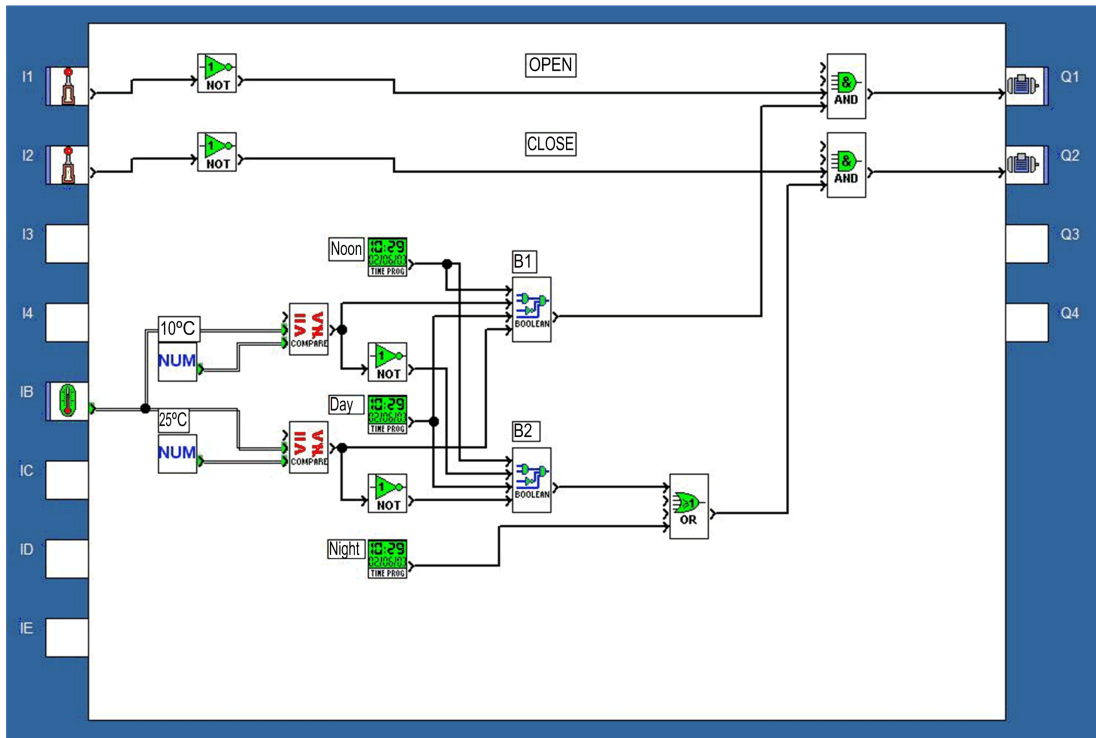
The temperature is supplied by a sensor with output voltage of 0 to 10 V.

### Required Reference

For this application, a smart relay with a clock and analog inputs is required:

- SR2B122BD (24 Vdc),
- SR2B121JD (12 Vdc).

FBD wiring sheet



## Parameters

### Analog comparator B12

Value1 > Value2

### Analog comparator B18

Value1 > Value2

### Daily programmer B11

TIME PROG (DAILY, WEEKLY AND YEARLY PROGRAMMER)

Comments Parameters Summary

Hours: 12 Minutes: 0  ON  OFF

Weekly  Week 1  Week 2  Week 3  Week 4  Week 5

Daily M Tu W Th V S Su

Periodic  Annual An 1 (0..99)  Monthly Month 1 (1..12)  Date Day 1 (1..31)

New Clear

Cycle in progress: 00

Calendar: 1/12

OK Cancel ?

Cycle in progress: 00

- Hour: 15,
- Minute: 00,
- OFF is selected,
- The other parameters are the same as for ON.

**Daily programmer B13**

Cycle in progress 00

- Hour: 07,
- Minute: 00,
- ON is selected,
- The other parameters are the same as for programmer B11.

Cycle in progress 01

- Hour: 12,
- Minute: 00,
- OFF is selected,
- The other parameters are the same as for programmer B11.

Cycle in progress 02

- Hour: 15,
- Minute: 00,
- ON is selected,
- The other parameters are the same as for programmer B11.

Cycle in progress 03

- Hour: 21,
- Minute: 00,
- OFF is selected,
- The other parameters are the same as for programmer B11.

**Daily programmer B19**

Cycle in progress 00

- Hour: 21,
- Minute: 00,
- ON is selected,
- The other parameters are the same as for programmer B11.

Cycle in progress 01

- Hour: 7,
- Minute: 00,
- OFF is selected,
- The other parameters are the same as for programmer B11.

**Boolean functions**

Option

Output OFF if result is TRUE

Output ON if result is TRUE

INPUT 1	INPUT 2	INPUT 3	INPUT 4	OUTPUT
0	0	0	0	0
1	0	0	0	0
0	1	0	0	0
1	1	0	0	1
0	0	1	0	0
1	0	1	0	0
0	1	1	0	0
1	1	1	0	1
0	0	0	1	0
1	0	0	1	0
0	1	0	1	0
1	1	0	1	1
0	0	1	1	1
1	0	1	1	1
0	1	1	1	1
1	1	1	1	1

## Home Lighting

### Specifications

A homeowner would like to install a system capable of controlling the lighting of a stairway and outdoor entrance providing access to the house.

Program features:

- *Outdoor lighting:* The circuit is activated every year from June 1<sup>st</sup> to October 1<sup>st</sup> and at night by a twilight switch. A sensor detects any motion and activates the outdoor lighting for 2 minutes.
- *Indoor lighting:* Two pushbuttons are located in the stairwell; one in the entrance and other at the top of the stairs. Their function is identical.
  - Time-delayed (30 seconds) lighting is obtained by pressing one of the buttons. The timer can be inhibited by renewed action on one of the buttons.
  - Permanent lighting is activated if one button is pressed for at least 2 seconds. A quick press stops it.

Program description, programming is possible at two levels:

- Level 1: Program with FBD and logic functions only.
- Level 2: Program with SFC functions in addition to FBD and logic functions.

### Input/Output Table

Description of the inputs:

Input	Description
I1	Motion sensor
I2	Twilight switch
I3	Pushbutton
I4	Pushbutton

Description of the outputs:

Output	Description
Q1	Outdoor lighting
Q2	Indoor lighting

### Required Reference

For this application, a Zelio Logic smart relay with a clock input is required. For example, SR2B121BD (24 Vdc).

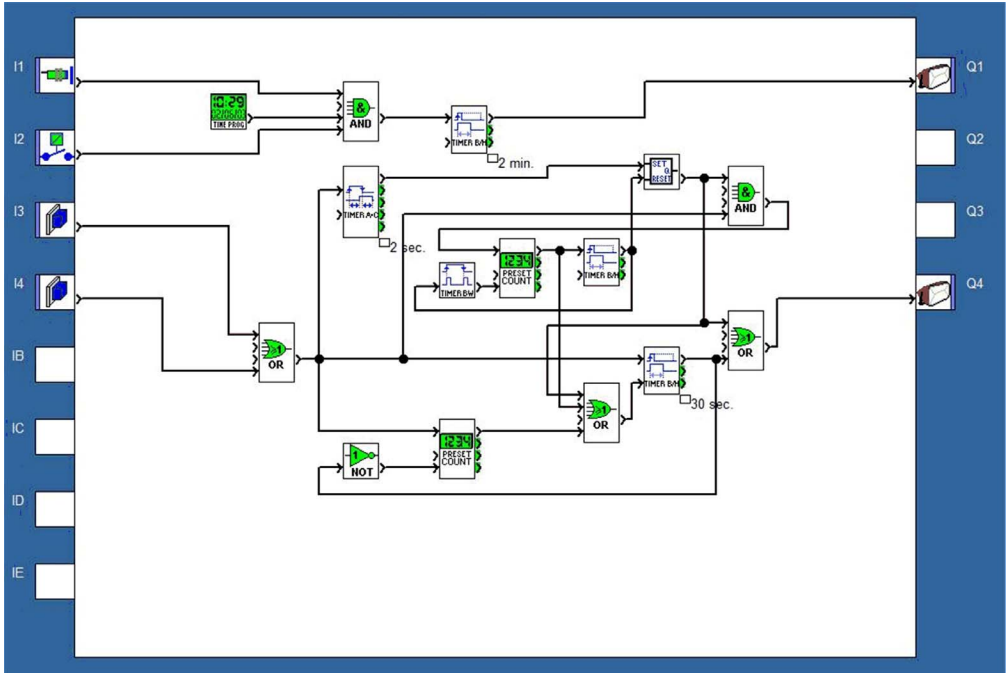
### Advantages of the Application

It is possible to handle the application with sequential functions.

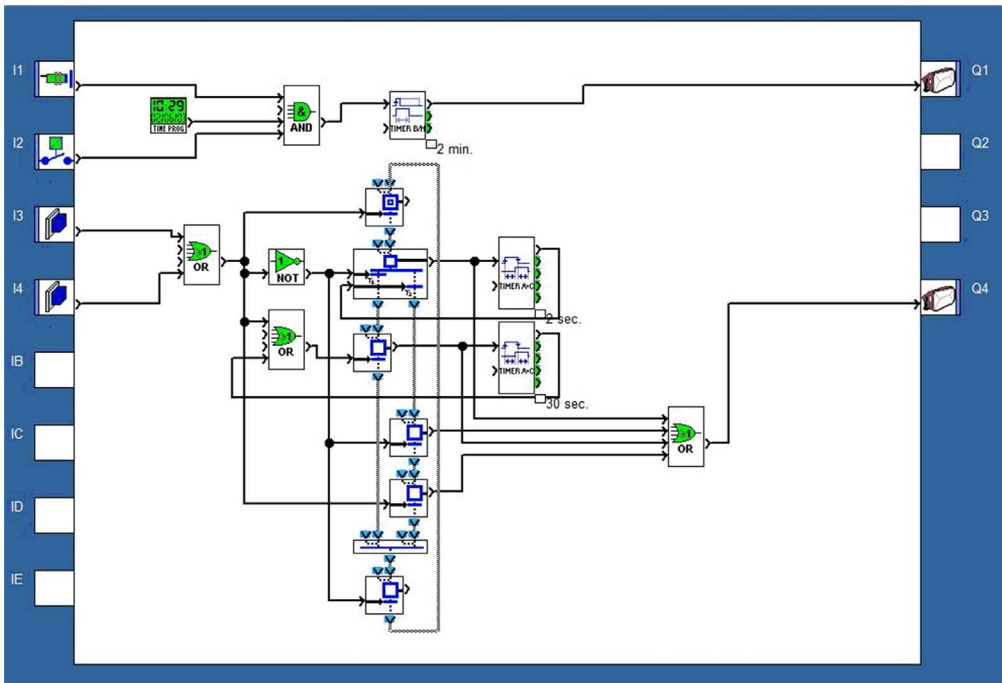


### FBD Wiring Sheet

This figure shows an example (level 1) in FBD:



This figure shows level 2 (SFC/Grafcet) example in FBD:



## Automatic Gate Control

### Specifications

A homeowner wants to control access to his residence by an automatic gate equipped with a dual direction (opening and closing) motor.

Program features:

- *Opening*: Whether the gate is closed or in an intermediate position, the remote control signal causes the full opening of the gate. During the opening process, any new action on the remote control stops or restarts the motor.

When the gate is fully open, there is a 4 second time delay before closing can start.

- *Closing*: During the closing process, if the remote control is activated or if the sensor detects motion, the gate is opened. As long as the sensor is activated (for example, a vehicle stopped in the passage way), the gate remains fully open.

Program description:

- The T1 timer (Timer A/C) is used to switch the motor in the opening direction 0.5 seconds after the inhibition of closing. This helps avoid short-circuits and mechanical jerks.
- The T2 timer (Timer A/C) fulfills two simultaneous functions:
  - The 4 second triggering delay maintains the gate in the open position before beginning the closing motion.
  - The 0.2 second triggering delay allows the activation conditions of the AND logic block output to be verified.

### Input/Output Table

Description of the inputs:

Input	Description
I1	Remote control
I2	Gate closed position
I3	Gate opened position
I4	Motion sensor

Description of the outputs:

Output	Description
Q1	Gate opening
Q2	Gate closing

### Required Reference

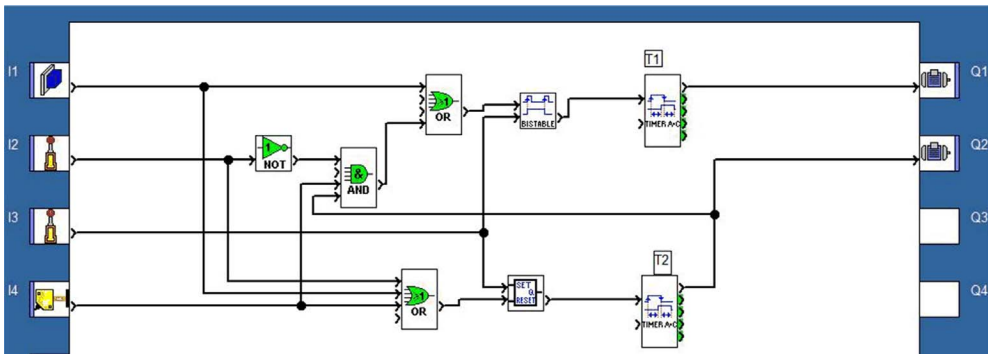
For this application, no specific conditions are required.

### Advantages of the Application

The feature of being able to stop the gate opening or closing when the remote control signal is detected is an advantage for this type of application.

The parallel connection to the motor terminals allows the addition of a light signal indicating any movement of the gate.

### FBD Wiring Sheet



## Room Temperature Regulation

### Specifications

The ambient temperature of a room is controlled in heating mode by a heater and a fan, and in cooling mode by a fan only. A temperature sensor through a converter provides a 0...10 V signal. A switch is used to deactivate temperature regulation.

Screen display:

- The heating or cooling mode is displayed.
- The ambient temperature and setpoint are displayed.
- A trigger function is provided to set up regulation that takes into account a hysteresis of +2 °C from start to stop and -3 °C from stop to start.

Program description:

- Input I1 = 0: Temperature regulation is off.

Display example:

\*\*\*\*\*

OFF

\*\*\*\*\*

0017.2

- Input I1 = 1: Temperature regulation is on.

Display example:

heat mode.

0020.0 (setpoint display)

0017.2 (temperature display)

### Input/Output Table

Description of the inputs:

Input	Description
I1	On/Off switch
I2	Mode selection
IB	Ambient temperature (analog input)
IC	Setpoint (analog input)

Description of the outputs:

Output	Description
Q1	Heater
Q4	Fan

The temperature is supplied by a sensor with output voltage of 0...10 V.

**NOTE:** When the smart relay is on, select **FBD DISPLAY** in the main menu of the front panel to view the active text blocks on the screen. In a simulation, it is possible to call up the front panel by selecting **3 Front Panel** in the **Window** menu.

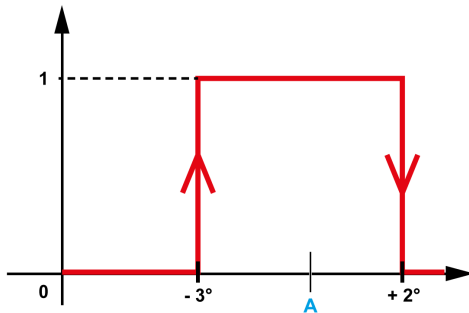
**NOTE:** It will probably be necessary to wire additional gain functions after inputs **IB** and **IC**.

### Required Reference

For this application, a Zelio Logic smart relay with analog inputs is required:

- SR2B121BD (24 Vdc),
- SR2B121JD (12 Vdc).

### Hysteresis

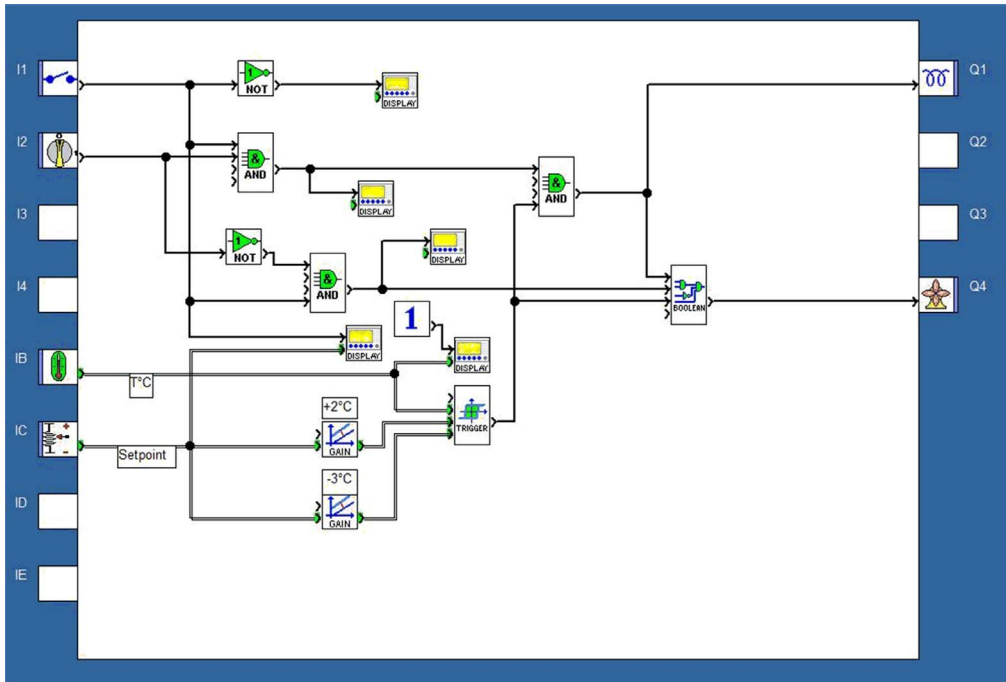


A Setpoint

### Advantages of the Application

Use of 0...10 V analog inputs.

FBD Wiring Sheet

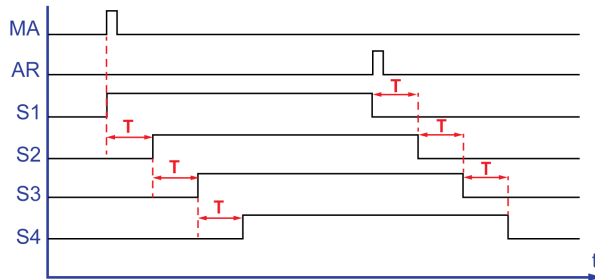


## Boiler Control

### Specifications

To avoid overconsumption of electricity on boiler start-up, the heating elements are heated progressively, and stopped progressively when the boiler is stopped.

This operating principle is shown by the following timing diagram:



An On (**MA**) button authorizes the activation of the first heating element ( $S1$ ). After a time-delay  $T$ , the second element ( $S2$ ) starts up. After the same time-delay, the third elements starts up ( $S3$ ), then the fourth element ( $S4$ ) again after time-delay  $T$ . An Off (**SR**) button deactivates ( $S1$ ). The three other elements are progressively deactivated after time-delay  $T$ .

Program description:

- In principle, time delay  $T$  is identical for the activation/deactivation of all the heating elements. The program includes three `TIMER A/C` function blocks. The function to perform according to the specifications requires entering the same time-delay value in the three function blocks.
- As a result, if you modify one of the function blocks, you must enter the new selection in the three `TIMER A/C` function blocks.





## School Bell

### Specifications

A school wants to control both the daily school bell and an alarm system using the same device. The bell rings according to a programmed schedule from Monday to Friday for one minute, except during the holidays. The **Alarm** mode is active during the holidays, on weekends, and at night Monday to Friday.

The alarm sounds for 1 minute as an audio signal alternating 2 seconds on, 1 second off, and by an indicator light activated by a motion detector. It must be possible to reset the alarm.

Program description:

To program the three clocks, copy or adapt the parameters of the three figures below.

The logic block unites the activation conditions of the **Alarm** mode according to the equation:

Input				Output
Time 2	I1	I2	Time 3	–
0	1	1	1	1

TIME PROG (DAILY, WEEKLY AND YEARLY PROGRAMMER)				
Comments		Parameters		Summary
Number	Change to	Daily	Day(s)	Week(s)
00	ON	08:29	MON, TUES, WEDS, THURS, FRI	1,2,3,4,5
01	OFF	08:30	MON, TUES, WEDS, THURS, FRI	1,2,3,4,5
02	ON	12:00	MON, TUES, WEDS, THURS, FRI	1,2,3,4,5
03	OFF	12:01	MON, TUES, WEDS, THURS, FRI	1,2,3,4,5
04	ON	13:29	MON, TUES, WEDS, THURS, FRI	1,2,3,4,5
05	OFF	13:30	MON, TUES, WEDS, THURS, FRI	1,2,3,4,5
06	ON	17:00	MON, TUES, WEDS, THURS, FRI	1,2,3,4,5
07	OFF	17:01	MON, TUES, WEDS, THURS, FRI	1,2,3,4,5

TIME PROG (DAILY, WEEKLY AND YEARLY PROGRAMMER)				
Comments		Parameters		Summary
Number	Change to	Daily	Day(s)	Week(s)
00	ON	00:00	Every year 2 January	-
01	OFF	00:00	Every year 30 June	-
02	ON	00:00	Every year 2 September	-
03	OFF	00:00	Every year 24 December	-

TIME PROG (DAILY, WEEKLY AND YEARLY PROGRAMMER)				
Comments		Parameters		Summary
Number	Change to	Daily	Day(s)	Week(s)
00	OFF	07:00	MON, TUES, WEDS, THURS, FRI	1,2,3,4,5
01	ON	22:00	MON, TUES, WEDS, THURS, FRI	1,2,3,4,5

### Advantages of the Application

The annual clock, available in FBD, allows school holidays and public holidays to be taken into account.

### Input/Output Table

Description of the inputs:

Input	Description
I1	Alarm: On/Off
I2	Motion detector
I3	Alarm: Reset

Description of the outputs:

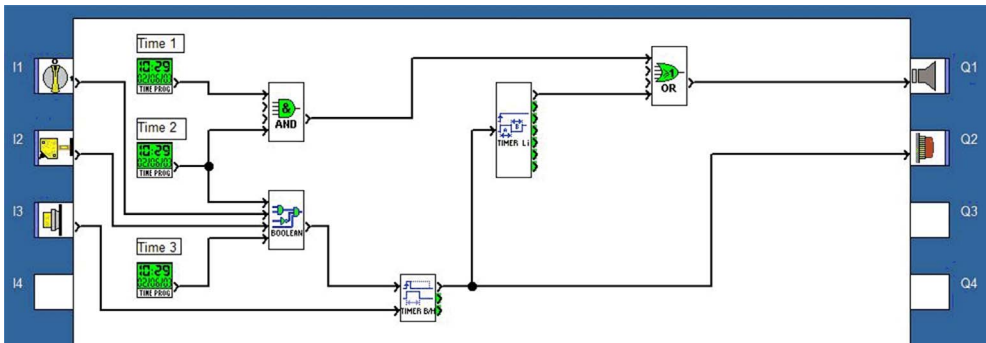
Output	Description
Q1	Ringling
Q2	Indicator light

### Required Reference

For this example, an annual clock is required:

- SR2B121BD (24 Vdc),
- SR2B121JD (12 Vdc).

### FBD Wiring Sheet



## Central Heating System with PWM Valve

### Specifications

A boiler is used to heat the different parts of a house by hot water circulation.

The house temperature is measured by a sensor providing a 0...10 V signal. The desired temperature is set by the homeowner on the smart relay front panel.

A 2-way valve adjusts the temperature in the room by regulating the flow of hot water coming from the boiler. The hot water flow is adjusted according to the difference between the desired and the measured temperatures.

The regulation parameters can be adjusted directly on the smart relay front panel. The access to these parameters is protected by a key switch to prevent any parameter changes by unauthorized persons.

### Input/Output Table

Description of the inputs:

Input	Description
I1	Key switch
IB	Temperature sensor (0...10 V)

Description of the outputs:

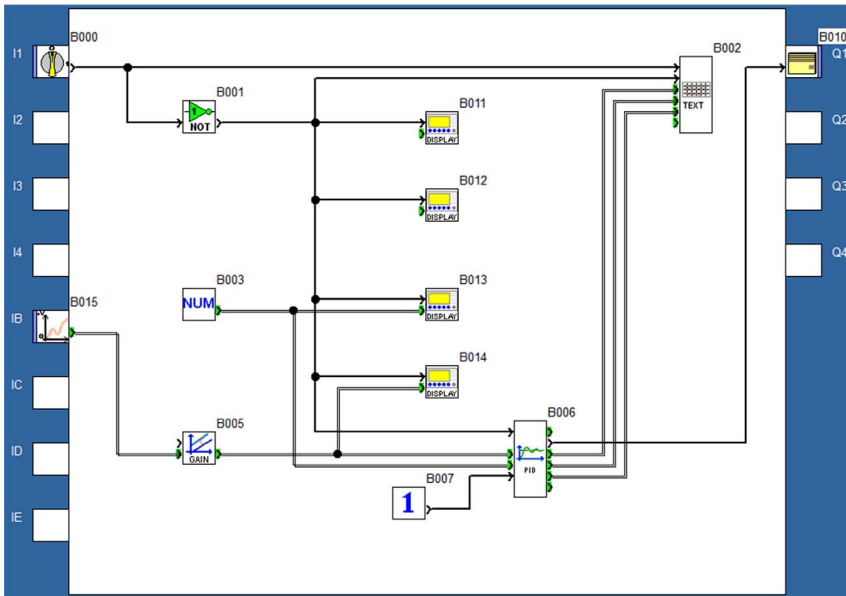
Output	Description
Q1	2-way valve (PWM output)

### Required Reference

For this application, as **Q1** is used in PWM output, a smart relay with transistor outputs is required:

- **SR2B122BD** (24 Vdc),
- **SR2B202BD** (24 Vdc),
- **SR3B102BD** (24 Vdc),
- **SR3B262BD** (24 Vdc).

### FBD Wiring Sheet



### PID Parameters

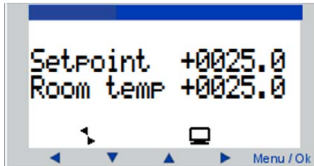
The screenshot shows the 'PID controller' configuration dialog box. It has two tabs: 'Comments' and 'Parameters'. The 'Parameters' tab is active.
 

- Output setting:** Radio buttons for 'Analog' and 'Digital PWM'. 'Digital PWM' is selected.
- Action:** Radio buttons for 'Direct' and 'Reverse'. 'Direct' is selected.
- Setpoint value:** A numeric input field set to '400' with a range of '(0 ... 32767)'.
- Settings:**
  - Mode: 'Manual' (dropdown menu)
  - Kp: '10' x 0.1
  - Ti: '180' s
  - Td: '0' s
  - T: '10' x 0.1s
- PWM:**
  - PWM period: '10' x 0.1s

 On the right side of the dialog, there are three buttons: 'OK', 'Cancel', and a help button with a question mark.

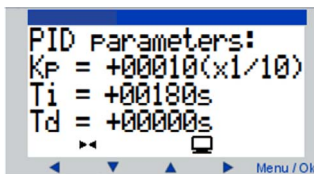
### Set Temperature Display

This figure shows the display where the homeowner can set the desired temperature:



### Commissioning Display for Parameters Regulation

This figure shows the display that is protected by a key switch, where the regulation parameters can be adjusted:



## Central Heating System with Analog Valve

### Specifications

A boiler is used to heat the different parts of a house by hot water circulation.

The house temperature is measured by a Pt100 sensor. The desired temperature is set by the homeowner on the smart relay front panel.

The temperature in the room is controlled by the variation of temperature of water coming from the boiler. A 3-way valve is used to control the variation of temperature, by mixing the hot water from the boiler with cold water from the water supply, using analog control.

The regulation parameters can be adjusted directly on the smart relay front panel. The access to these parameters is protected by a key switch to prevent any parameter changes by unauthorized persons.

### Input/Output Table

Description of the inputs:

Input	Description
I1	Key switch
IJ	Temperature sensor (Pt100)

Description of the outputs:

Output	Description
QB	3-way valve (Analog output)

### Required Reference

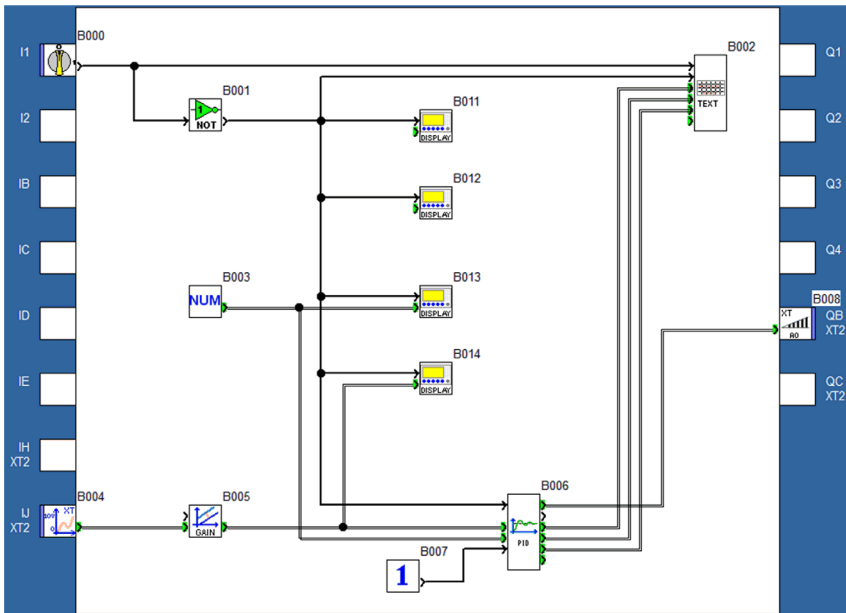
For this application, a smart relay with analog extension for the control of the 3-way valve is required. For example, **SR3B101BD** (24 Vdc) with **SR3XT43BD** analog extension.

The Pt100 temperature sensor input is linked to the analog input of the analog extension module.

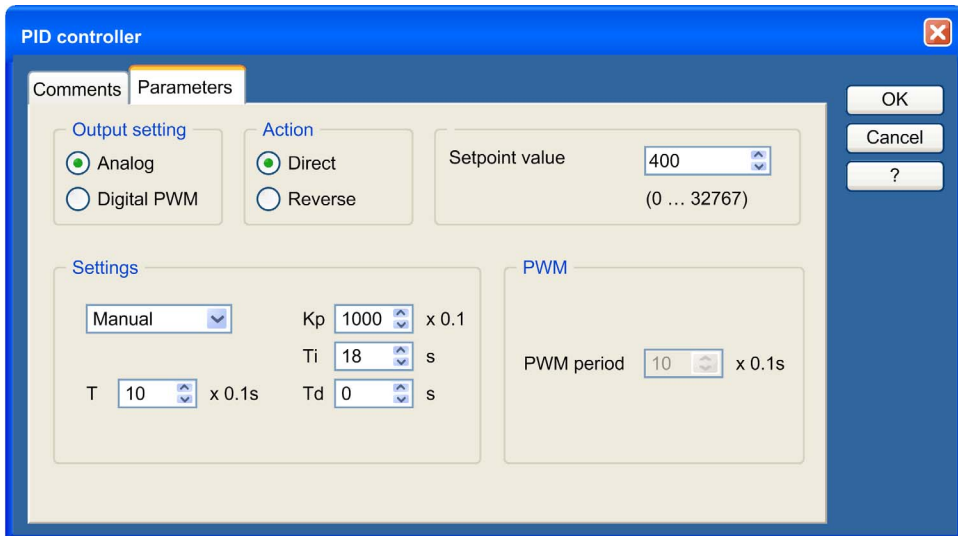
The PID function output is linked to the analog output of the analog extension module.



### FBD Wiring Sheet

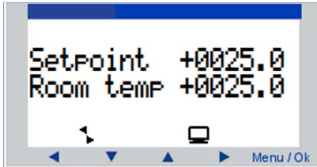


### PID Parameters



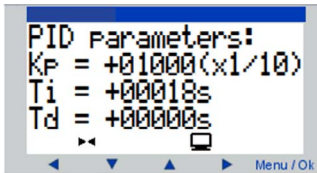
### Set Temperature Display

This figure shows the display where the homeowner can set the desired temperature:



### Commissioning Display for Parameters Regulation

This figure shows the display that is protected by a key switch, where the regulation parameters can be adjusted:





## E

example of a Ladder application , *16*  
example of an FBD application, *34*

## F

FBD application example  
automatic gate control, *43*  
boiler control, *48*  
central heating system with analog valve,  
*56*  
central heating system with PWM valve,  
*53*  
greenhouse ventilation panes, *34*  
home lighting, *40*  
room temperature regulation, *45*  
school bell, *50*

## L

Ladder application example  
automatic gate control, *22*  
boiler control, *30*  
greenhouse ventilation panes, *16*  
home lighting, *20*  
room temperature regulation, *27*  
underground car park control, *24*

