

XALD326H7

Complete control station, Harmony XALD,
dark grey white flush/red flush/black flush
pushbuttons Ø22 mm



Main

| | |
|-----------------------------|--|
| Range of product | Harmony XALD |
| Product or component type | Complete control station |
| Device short name | XALD |
| Product destination | For XB5 Ø 22 mm control and signalling units |
| Control station application | Three functions |
| Colour of base of enclosure | Light grey RAL 7035) |
| Colour of cover | Dark grey RAL 7016) |
| Material | Polycarbonate |
| Operator profile | 3 flush push-buttons |
| Operators description | White "up arrow" 1 NO - red "STOP" 1 NC - black "down arrow" 1 NO |
| Control station composition | 1 flush push-button, black 1 NO, white down arrow marking 1 flush push-button, white 1 NO, black up arrow marking 1 flush push-button, red 1 NC STOP |
| Marking location | Marking on push-button |
| Contact operation | Slow-break |

Complementary

| | |
|--|---|
| Cable entry | 2 knock-outs for cable entry 0.55 in (14 mm) 2 knock-outs for Pg 13 cable gland and ISO M20 0.47 in (12 mm) |
| Net Weight | 0.66 lb(US) (0.298 kg) |
| Resistance to high pressure washer | 1015.26 psi (7000000 Pa) 131 °F (55 °C) 0.1 m |
| Colour of marking | Black marking when white caps White marking when green, red or black caps |
| Positive opening | With conforming to EN/IEC 60947-5-1 appendix K |
| Operating travel | 0.06 in (1.5 mm) NC changing electrical state) 0.10 in (2.6 mm) NO changing electrical state) 0.17 in (4.3 mm) total travel) |
| Operating force | 3.5 N NC changing electrical state 3.8 N NO changing electrical state |
| Mechanical durability | 5000000 cycles |
| Connections - terminals | Screw clamp terminals, <= 2 x 1.5 mm ² with cable end conforming to EN/IEC 60947-1 Screw clamp terminals, >= 1 x 0.22 mm ² without cable end EN/IEC 60947-1 |
| Tightening torque | 7.08...10.62 lbf.in (0.8...1.2 N.m) EN/IEC 60947-1 |
| Shape of screw head | Cross compatible with Philips no 1 screwdriver Cross compatible with pozidriv No 1 screwdriver Slotted compatible with flat Ø 4 mm screwdriver Slotted compatible with flat Ø 5.5 mm screwdriver |
| Contacts material | Silver alloy (Ag/Ni) |
| Short-circuit protection | 10 A cartridge fuse gG EN/IEC 60947-5-1 |
| [I _{th}] conventional free air thermal current | 10 A EN/IEC 60947-5-1 |
| [U _i] rated insulation voltage | 600 V 3)EN/IEC 60947-1 |
| [U _{imp}] rated impulse withstand voltage | 6 kV EN/IEC 60947-1 |

The information provided in this documentation contains general descriptions and/or technical characteristics of the performance of the products contained herein. This documentation is not intended as a substitute for and is not to be used for determining suitability or reliability of these products for specific user applications. It is the duty of any such user or integrator to perform the appropriate and complete risk analysis, evaluation and testing of the products with respect to the relevant specific application or use thereof. Neither Schneider Electric Industries SAS nor any of its affiliates or subsidiaries shall be responsible or liable for misuse of the information contained herein.

| | |
|---|---|
| [I _e] rated operational current | 6 A 120 V, AC-15, A600 EN/IEC 60947-5-1 3 A 240 V, AC-15, A600 EN/IEC 60947-5-1 1.2 A 600 V, AC-15, A600 EN/IEC 60947-5-1 0.55 A 125 V, DC-13, Q600 EN/IEC 60947-5-1 0.27 A 250 V, DC-13, Q600 EN/IEC 60947-5-1 0.1 A 600 V, DC-13, Q600 EN/IEC 60947-5-1 |
| Electrical durability | 1000000 Cycles, AC-15, 2 A 230 V 3600 cyc/h 0.5 EN/IEC 60947-5-1 appendix C 1000000 Cycles, AC-15, 3 A 120 V 3600 cyc/h 0.5 EN/IEC 60947-5-1 appendix C 1000000 Cycles, AC-15, 4 A 24 V 3600 cyc/h 0.5 EN/IEC 60947-5-1 appendix C 1000000 Cycles, DC-13, 0.2 A 110 V 3600 cyc/h 0.5 EN/IEC 60947-5-1 appendix C 1000000 cycles, DC-13, 0.5 A 24 V 3600 cyc/h 0.5 EN/IEC 60947-5-1 appendix C |
| Electrical reliability | $\Lambda < 10\text{exp}(-6)$ 5 V 1 mA EN/IEC 60947-5-4 $\Lambda < 10\text{exp}(-8)$ 17 V 5 mA EN/IEC 60947-5-4 |

Environment

| | |
|---------------------------------------|---|
| Protective treatment | TH |
| Ambient air temperature for storage | -40...158 °F (-40...70 °C) |
| Ambient air temperature for operation | -40...158 °F (-40...70 °C) |
| Electrical shock protection class | Class II conforming to IEC 60536 |
| IP degree of protection | IP66 IEC 60529 IP69 IP69K IP67 |
| NEMA degree of protection | NEMA 13 NEMA 4X |
| IK degree of protection | IK03 EN 50102 |
| Standards | CSA C22.2 No 14 JIS C8201-5-1 EN/IEC 60947-5-5 EN/IEC 60947-5-1 UL 508 EN/IEC 60947-5-4 EN/IEC 60947-1 JIS C8201-1 |
| Product certifications | CSA UL Listed |
| Vibration resistance | 5 gn 12...500 Hz)IEC 60068-2-6 |
| Shock resistance | 30 gn 18 ms) half sine wave acceleration IEC 60068-2-27 50 gn 11 ms) half sine wave acceleration IEC 60068-2-27 |

Ordering and shipping details

| | |
|-----------------------|-----------------------|
| Category | 22475 - WALL STATIONS |
| Discount Schedule | CS2 |
| GTIN | 00785901923367 |
| Nbr. of units in pkg. | 1 |
| Package weight(Lbs) | 0.65 lb(US) (0.29 kg) |
| Returnability | Yes |
| Country of origin | FR |

Packing Units

| | |
|------------------------|---------|
| Unit Type of Package 1 | PCE |
| Package 1 Height | 0.98 dm |
| Package 1 width | 0.7 dm |
| Package 1 Length | 1.41 dm |

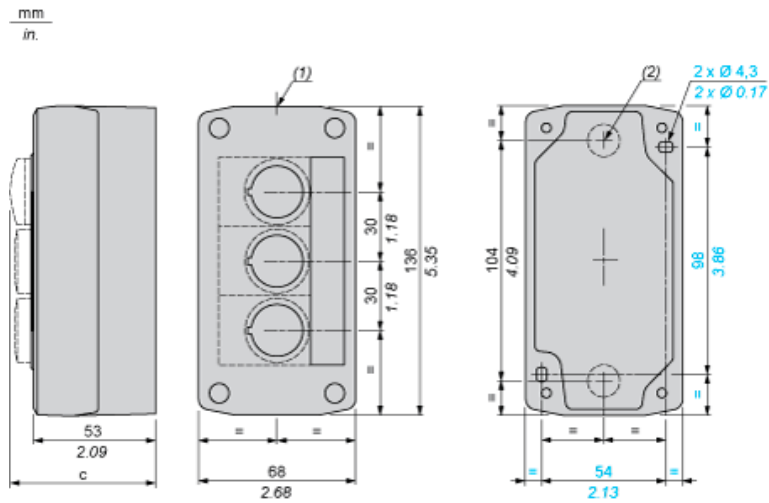
Offer Sustainability

| | |
|----------------------------|--|
| Sustainable offer status | Green Premium product |
| REACH free of SVHC | Yes |
| EU RoHS Directive | Pro-active compliance (Product out of EU RoHS legal scope) EU RoHS Declaration |
| Toxic heavy metal free | Yes |
| Mercury free | Yes |
| RoHS exemption information | Yes |
| China RoHS Regulation | China RoHS Declaration |
| Environmental Disclosure | Product Environmental Profile |
| Circularity Profile | End Of Life Information |
| WEEE | The product must be disposed on European Union markets following specific waste collection and never end up in rubbish bins. |

Contractual warranty

| | |
|----------|-----------|
| Warranty | 18 months |
|----------|-----------|

Dimensions



- (1) 2 knock-outs for Pg 13.5 cable gland, maximum capacity 12 mm/0.47 in.
 (2) Knock-out for cable entry, maximum capacity 14 mm/0.55 in.

| Control station fitted with: | c in mm | c in in. |
|------------------------------|---------|----------|
| Flush pushbutton | 62 | 2.44 |
| Illuminated pushbutton | 64 | 2.52 |
| Pilot light | 65.5 | 2.58 |
| Projecting pushbutton | 66 | 2.60 |
| Selector switch | 80 | 3.15 |
| Key switch | 105.5 | 4.15 |