

STUDIO® 60" x 32" BATHING POOL with APRON

2946.102 BATHING POOL

Right Drain

2946.202 BATHING POOL

Left Drain

Product Features:

- High-gloss acrylic with fiberglass reinforcement
- Integral apron with clean, minimalist design
- Integral three-sided, 1" tiling/water retention flange helps prevent water seepage
- Design coordinated to match Studio® bath walls (sold separately)
- For recess installation
- Limited Lifetime warranty
- Pre-leveled tub bottom for easier installation

Nominal Dimensions:

60" x 32" x 18"

(1524 x 813 x 457mm)

For use with:

- 2946.BW Studio Bath Wall Set
- Bathing Pool can also be installed without Studio® wall set

**Compliance Certifications -
Meets or Exceeds the Following Specifications:**

- CSA B45.5-11 / IAPMO Z124-2011
- cUPC

To Be Specified - Required

- Bath Faucet*:
- Faucet Finish:
- Drain*:
- Drain Finish:

To Be Specified - Optional

- Studio Bath Walls: 2946.BW

*See American Standard faucet and drain section of Product Selector

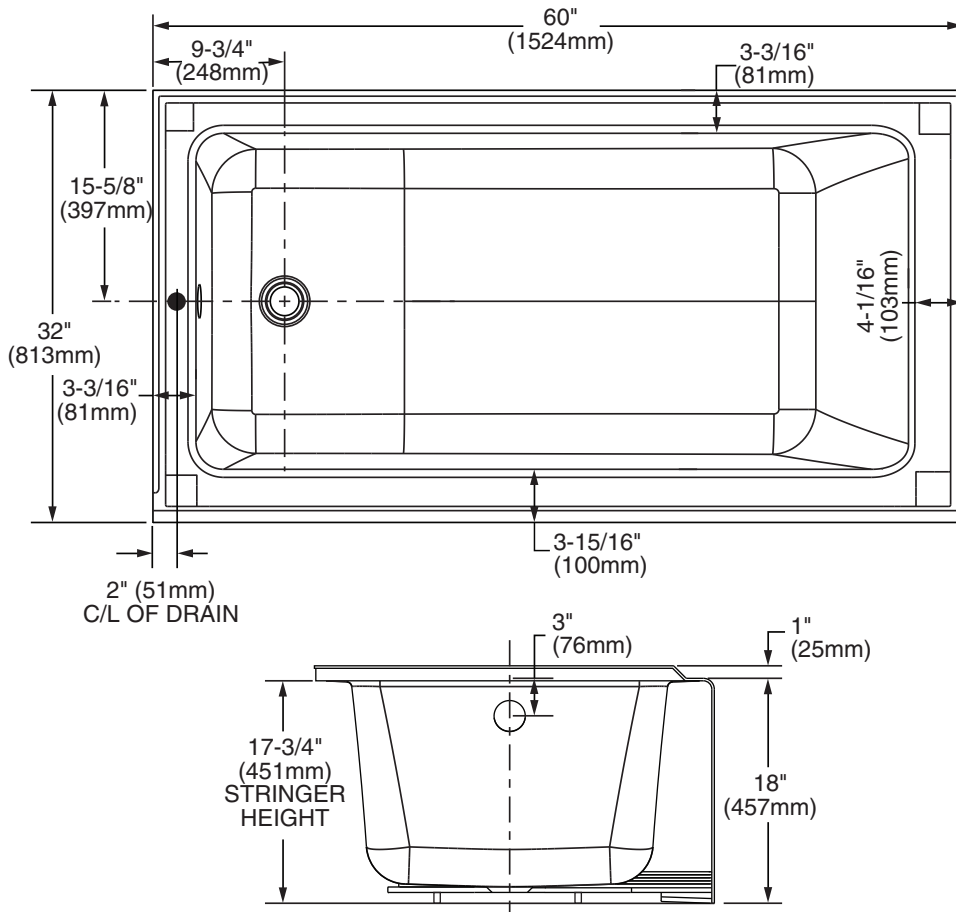


**Studio Bathing Pool shown with
2946.BW Studio wall set**

SEE REVERSE FOR ROUGHING-IN DIMENSIONS
AND PRODUCT SPECIFICATIONS



MEETS THE AMERICANS WITH DISABILITIES ACT GUIDELINES
AND ANSI A117.1 REQUIREMENTS FOR ACCESSIBLE AND
USEABLE BUILDING FACILITIES-CHECK LOCAL CODES.
INSTALL WITH SEAT AT HEAD END.



GENERAL SPECIFICATIONS FOR 2946 TUB	
INSTALLED SIZE	60 x 32 x 18 In. (1524 x 813 x 457mm)
WEIGHT	60 Lbs. (27 Kg)
WEIGHT w/WATER	493 Lbs. (224 Kg)
GAL. TO OVERFLOW	52 Gal. (197 L)
BATHING WELL AT SUMP	22 x 44.5 In. (559 x 1130mm)
BATHING WELL AT RIM	25 X 53 In. (635 x 1346mm)
WATER DEPTH TO OVERFLOW	12 In. (305mm)
FLOOR LOADING	37 Lbs./Sq.Ft. (181 Kgs/Sq.m)
(PROJECTED AREA)	
PTS.	27.5
CUBE (FT ³)	28.9

NOTES:

- BATH TO BE INSTALLED ABOVE FLOOR LINE AS A RECESS INSTALLATION.
- REFER TO INSTALLATION INSTRUCTIONS SUPPLIED WITH TUB FOR ADDITIONAL INFORMATION.
- FITTINGS NOT INCLUDED AND MUST BE ORDERED SEPARATELY.
- PROVIDE SUITABLE REINFORCEMENT FOR ALL SUPPORTS.
- MOUNTING HOLES DRILLED BY INSTALLER.

IMPORTANT: Dimensions of fixtures are nominal and may vary within the range of tolerances established by ANSI Standard CSA B45.5-11/IAPMO Z124-2011. These measurements are subject to change or cancellation. No responsibility is assumed for use of superseded or voided pages.