

**COLONY® 25 x 22 ADA SINGLE BOWL  
STAINLESS STEEL KITCHEN SINK KIT**

**22SB.6252283C.075** Single Bowl Sink Kit

Includes:

- Colony ADA single bowl sink
- Waste fitting
- Colony Pro single control faucet with deck plate
- Cutout template, installation instructions and top mount hardware included



**COMPONENT SPECIFICATIONS:**

**22SB.6252283S.075** Stainless Steel Sink

- ADA Single Bowl
- 20 Gauge Stainless Steel
- 6" deep bowl
- Top mount installation
- 27" (686mm) cabinet required
- Limited Lifetime Warranty

**Nominal Dimensions:**

25" x 22" x 6"  
(635 x 559 x 152mm)

SEE REVERSE FOR ROUGHING-IN DIMENSIONS  
AND PRODUCT SPECIFICATIONS

**Bowl Size:**

21-1/4" (540mm) wide  
15-3/4" (400mm) front to back  
6" (152mm) deep

**7074000.075** Colony Pro Single Control  
Faucet with Deck Plate

- 1.5 gpm/5.7 Lpm maximum flow
- Brass swivel spout
- Ceramic disc valve cartridge for drip free performance
- Metal deck and handle
- Lead Free: Faucet contains  $\leq 0.25\%$  lead content by weighted average
- Integrated braided stainless steel supply lines
- Limited Lifetime Warranty

**Strainer**

- Standard 3-1/2" (89mm) diameter
- One year limited warranty

**Suggested Specifications:**

- Color: Stainless Steel .075
- Faucet Finish: Stainless Steel .075
- Waste Fitting Finish: Stainless Steel .075
- Supplies: 1/2" (13mm) IPS Inlets

**Compliance Certifications - Meets or Exceeds  
the Following Specifications:**

- **SINK:**  
ASME A112.19.3
- **FAUCET:**  
ASME A112.18.1  
CSA B125.1  
NSF 61/Section 9  
NSF 372

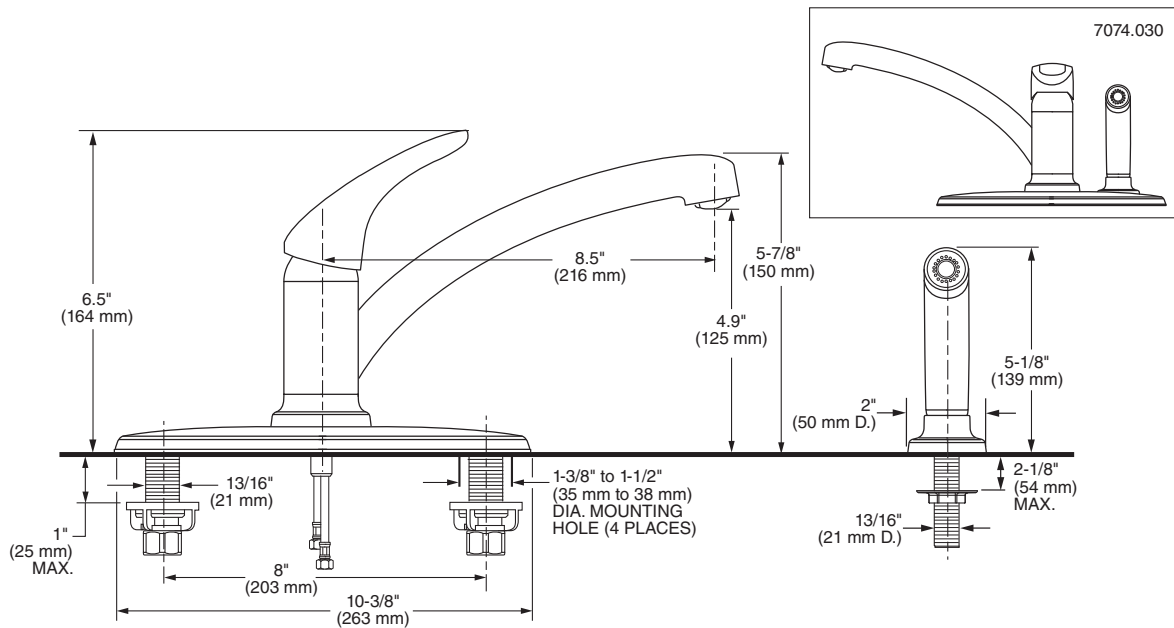
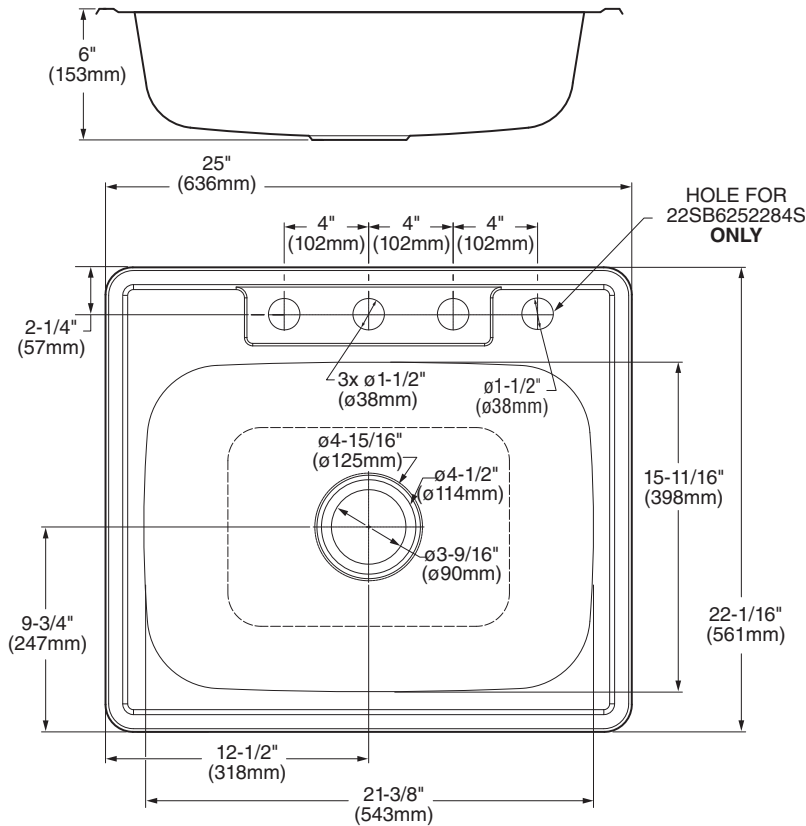


MEETS THE AMERICANS WITH DISABILITIES ACT GUIDELINES AND  
ANSI A117.1 ACCESSIBLE AND USEABLE BUILDINGS AND  
FACILITIES - CHECK LOCAL CODES.

# COLONY® 25 x 22 ADA SINGLE BOWL STAINLESS STEEL KITCHEN SINK KIT

 BARRIER FREE

20 GAUGE STAINLESS STEEL



**NOTES:**  
 \* DIMENSIONS SHOWN FOR LOCATION OF SUPPLIED AND "P" TRAP ARE SUGGESTED.  
 SEALING COMPOUND SUPPLIED BY OTHERS.

**IMPORTANT:** Dimensions of fixtures are nominal and may vary within the range of tolerances established by ANSI Standard A112.19.3. These measurements are subject to change or cancellation. No responsibility is assumed for use of superseded or voided pages.