

Product data sheet

Characteristics

QO1816M150FTRB

Load center, QO, 1 phase, 8 spaces, 16 circuits, 150A convertible main breaker, NEMA3R, feedthru lugs, UL



Main

| | |
|----------------------|------------------------|
| Marketing Trade Name | QO |
| Product Type | Load Center |
| Enclosure Type | Weatherproof enclosure |
| Cover Type | Surface cover |

Complementary

| | |
|--|------------------------------------|
| Load Center Type | Main breaker |
| Rated Current | 150 A |
| Number of Spaces | 8 |
| Max Short Circuit Current Rating | 22 kA |
| Maximum Number of Single Pole Circuits | 16 |
| Maximum Number of Tandem Breakers | 8 |
| Number of Phases | 1 phase |
| Voltage Rating | 120/240 V AC |
| Wire Size | AWG 4...250 kcmil aluminium/copper |
| Ground Bar | Grounding bar (ordered separately) |
| Electrical Connection | Feed-thru lugs |
| Wiring Configuration | 3-wire |
| Busbar Material | Tin plated copper: busbar |
| Enclosure Material | Welded galvanized steel |
| Surface Finish | Baked enamel grey |
| Box Number | 6R |
| Height | 29.84 in (758 mm) |
| Width | 14.76 in (375 mm) |

Environment

| | |
|---------------------------------------|---------------------------------|
| Enclosure Rating | NEMA 3R for outdoor |
| Ambient Air Temperature for Operation | 23 °F (-5 °C) 104 °F (40 °C) |
| Product Certifications | UL Listed |

Ordering and shipping details

| | |
|-----------------------|------------------------------------|
| Category | 00101 - QO 1PH LC,2-8CKT,NEMA 1,3R |
| Discount Schedule | DE3A |
| GTIN | 00785901868170 |
| Nbr. of units in pkg. | 1 |
| Package weight(Lbs) | 32.81 lb(US) (14.88 kg) |
| Returnability | Yes |
| Country of origin | US |

Packing Units

| | |
|------------------------------|----------------------------|
| Unit Type of Package 1 | PCE |
| Package 1 Height | 5.00 in (12.7 cm) |
| Package 1 width | 15.50 in (39.37 cm) |
| Package 1 Length | 32.00 in (81.28 cm) |
| Unit Type of Package 2 | PAL |
| Number of Units in Package 2 | 21 |
| Package 2 Weight | 697.00 lb(US) (316.154 kg) |
| Package 2 Height | 38.00 in (96.52 cm) |
| Package 2 width | 40.00 in (101.6 cm) |
| Package 2 Length | 48.00 in (121.92 cm) |

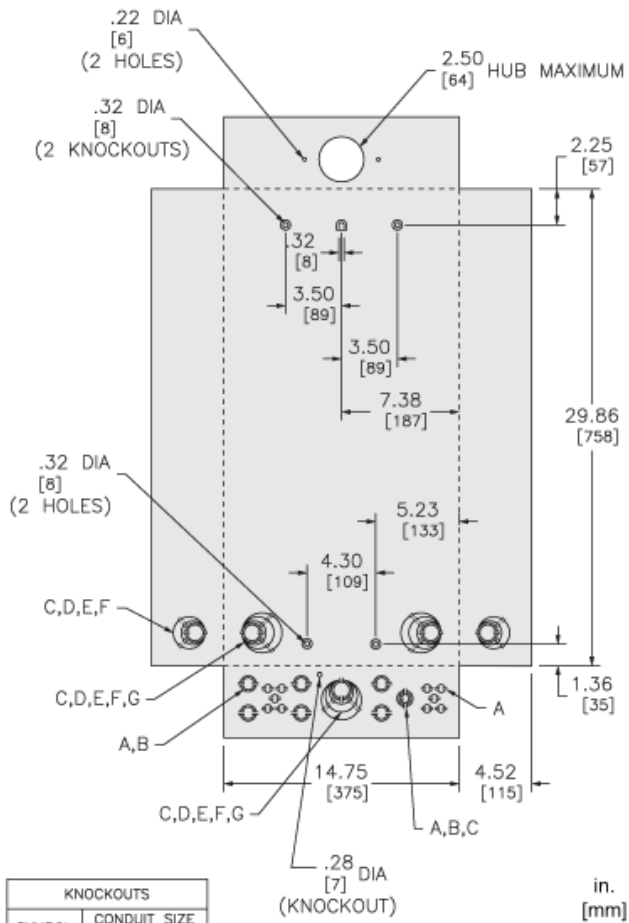
Offer Sustainability

| | |
|----------------------------|---|
| California proposition 65 | WARNING: This product can expose you to chemicals including: Lead and lead compounds, which is known to the State of California to cause cancer and birth defects or other reproductive harm. For more information go to www.P65Warnings.ca.gov |
| REACH Regulation | REACH Declaration |
| REACH free of SVHC | Yes |
| EU RoHS Directive | Compliant EU RoHS Declaration |
| Toxic heavy metal free | Yes |
| Mercury free | Yes |
| RoHS exemption information | Yes |
| China RoHS Regulation | China RoHS Declaration |

Contractual warranty

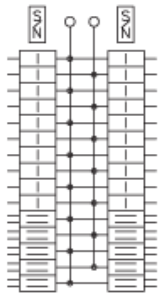
| | |
|----------|-----------|
| Warranty | 18 months |
|----------|-----------|

Approximate Dimensions

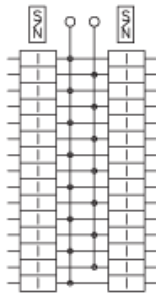


| KNOCKOUTS | | |
|-----------|--------------|----|
| SYMBOL | CONDUIT SIZE | |
| | IN | MM |
| A | .50 | 13 |
| B | .75 | 19 |
| C | 1.00 | 25 |
| D | 1.25 | 32 |
| E | 1.50 | 38 |
| F | 2.00 | 51 |
| G | 2.50 | 64 |

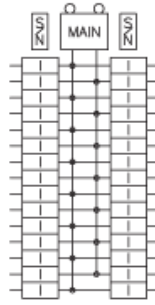
Connections and Wiring Diagrams



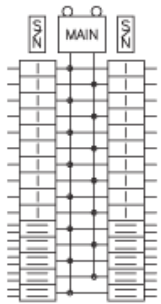
QO13040L200GRB



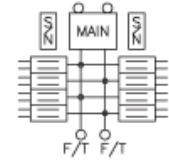
QO130L150GRB
QO130L200GRB



QO130M150RB
QO130M200RB



QO13040M200GRB



QO1816M150FTRB
QO1816M200FTRB