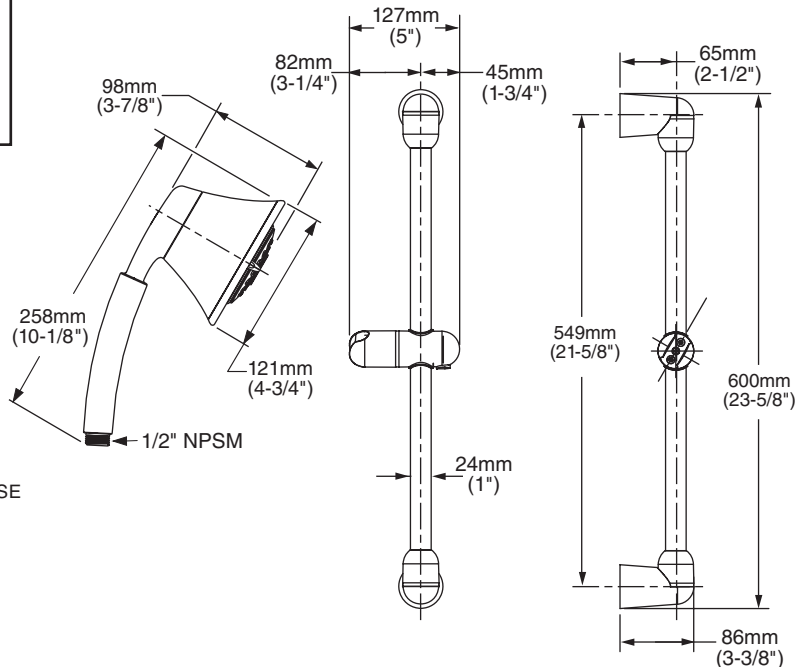
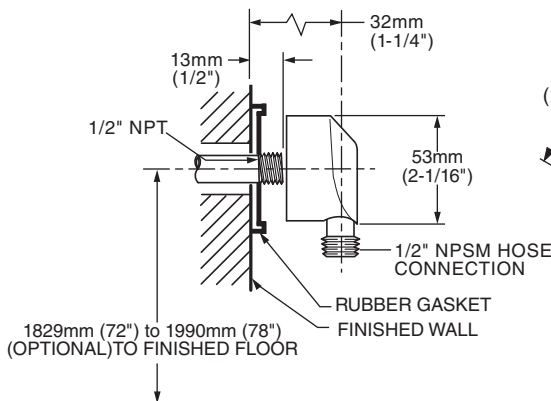


MODEL NUMBER:

1662.743 FloWise Transitional Shower System Kit

Includes:

- FloWise Transitional 3-function Hand Shower
- Hose
- Wall Supply
- Standard Slide Bar



GENERAL DESCRIPTION:

Complete shower system kit includes: a wall supply with 1/2" NPT female inlet, 1/2" NPSM male outlet; a 59" (1500mm) shower hose; a FloWise water saving hand shower; and a 25" standard slide bar. Hand shower adjusts from an Ultra Water Saving Turbine Spray at 1.5gpm to a Combination spray at 2.0gpm to a Full spray at 2.0gpm. Hand shower uses 40% less water when in Ultra Water Saving mode and 20% when in Combination or Full spray modes. Hand Shower rated at 2.0gpm/7.6L/min. maximum flow rate. Auto Return feature always returns hand shower to 1.5gpm Ultra Water Saving mode when water is turned off. Hand shower always starts in Ultra Water Saving mode. Adjustable shower holder can be set at any height or position along the bar and angle up to 45°. Kit includes double check valves to prevent cross flow of hot and cold water.

PRODUCT FEATURES:

HAND SHOWER

Water Saving: Saves up to 40% in water usage.

Auto Return: Hand shower always starts in ultra water savings mode for maximum water savings of 40%.

Variety of Spray Patterns: Allows the user to select the type of spray best suited to their needs.

SLIDE BAR

Simple Height Adjustment: Allows positioning of the personal shower anywhere along the bar.

SELECTION OF FINISHES

Available Finishes: Wide range of durable finishes.

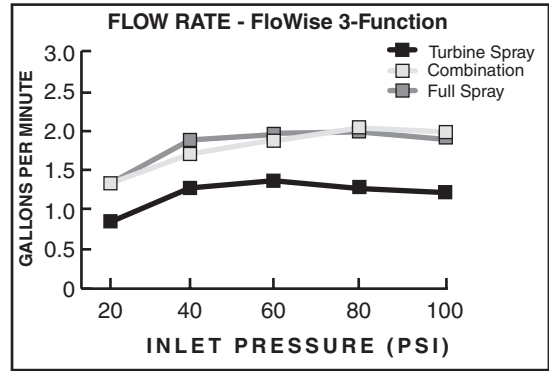
SUGGESTED SPECIFICATION:

Shower system shall feature a wall supply with 1/2" NPT female inlets, 1/2" NPSM male outlet, 59" hose, water saving hand shower and a 25" standard slide bar. Hand shower shall save up to 40% in water usage. Hand shower shall always start at 1.5gpm/5.7L/min. and have multiple functions for user's personal selection. Kit shall include double check valves to prevent cross flow of hot and cold water. Fitting shall be American Standard Model# 1662.743. _____ .

CODES AND STANDARDS

Install as required to comply with local code requirements.

ASME A112.18.1
CSA 125



Product Number	Description	Finish Options	
		Polished Chrome	PVD Satin Nickel
		002	295
1662.743	FloWise Transitional Shower System Kit. Contains FloWise Transitional 3-function hand shower, hose, wall supply and standard slide bar.		