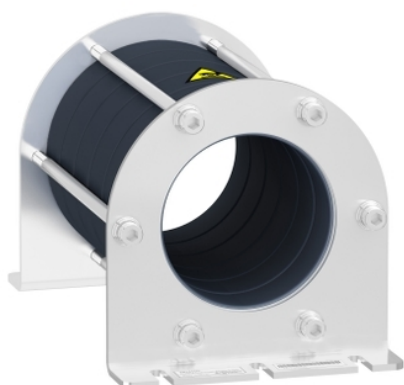


VW3A5504

common mode filter for bearing current
reduction - 180 µH



Main

Product or component type	Common mode output filter
Range compatibility	Altivar Process ATV600 Altivar Process ATV900
Value of inductance	180 µH
Product compatibility	Variable speed drive ATV630 wall mount, 15...90 kW, 380...480 V Variable speed drive ATV650 wall mount, 15...90 kW, 380...480 V Variable speed drive ATV930 wall mount, 15...90 kW, 380...480 V Variable speed drive ATV950 wall mount, 15...90 kW, 380...480 V Variable speed drive ATV630 wall mount, 7.5...45 kW, 200...240 V Variable speed drive ATV930 wall mount, 7.5...45 kW, 200...240 V

Complementary

Maximum motor cable length	492.13 Ft (150 m)(shielded cable)30...90 kW 380...480 V 1 984.25 Ft (300 m)(unshielded cable)15...90 kW 380...480 V 1 984.25 Ft (300 m)(shielded cable)30...90 kW 380...480 V 1 VW3A5504 1640.42 Ft (500 m)(unshielded cable)30...90 kW 380...480 V 1 VW3A5504 1640.42 Ft (500 m)(shielded cable)15...22 kW 380...480 V 1 VW3A5504 1640.42 Ft (500 m)(shielded cable)30...90 kW 380...480 V 2 3280.84 Ft (1000 m)(unshielded cable)15...22 kW 380...480 V 1 VW3A5504 3280.84 Ft (1000 m)(unshielded cable)30...90 kW 380...480 V 2 492.13 Ft (150 m)(shielded cable)15...45 kW 200...240 V 1 984.25 Ft (300 m)(unshielded cable)7.5...45 kW 200...240 V 1 984.25 Ft (300 m)(shielded cable)15...45 kW 200...240 V 1 VW3A5504 1640.42 Ft (500 m)(unshielded cable)15...45 kW 200...240 V 1 VW3A5504 1640.42 Ft (500 m)(shielded cable)7.5...11 kW 200...240 V 1 VW3A5504 1640.42 Ft (500 m)(shielded cable)15...45 kW 200...240 V 2 3280.84 Ft (1000 m)(unshielded cable)7.5...11 kW 200...240 V 1 VW3A5504 3280.84 ft (1000 m)(unshielded cable)15...45 kW 200...240 V 2
Saturation current	2.2 A
Internal diameter	2.99 in (76 mm) 3-phase cable inside 2.99 in (76 mm) PE cable outside
Electrical insulation class	Class I
Mechanical robustness	Shocks class 3M4 IEC 60721-3-3 Vibrations class 3M4 IEC 60721-3-3
Switching frequency	<= 10 kHz
Maximum output frequency	100 Hz
Height	8.27 in (210 mm)
Width	5.02 in (127.5 mm)
Depth	5.02 in (127.5 mm)
Net Weight	6.53 lb(US) (2.96 kg)

Environment

Relative humidity	5...95 % without condensation
Ambient air temperature for operation	5...140 °F (-15...60 °C)
Ambient air temperature for storage	-40...158 °F (-40...70 °C)

The information provided in this documentation contains general descriptions and/or technical characteristics of the products contained herein. This documentation is not intended as a substitute for and is not to be used for determining suitability or reliability of these products for specific user applications. It is the duty of any such user or integrator to perform the appropriate and complete risk analysis, evaluation and testing of the products with respect to the relevant specific application or use thereof. Neither Schneider Electric Industries SAS nor any of its affiliates or subsidiaries shall be responsible or liable for misuse of the information contained herein.

Ordering and shipping details

Category	22276 - ATV930 FRAMES 1 & 2
Discount Schedule	CP4E
GTIN	00785901015383
Nbr. of units in pkg.	1
Package weight(Lbs)	3328 lb(US) (1509.55 kg)
Returnability	No

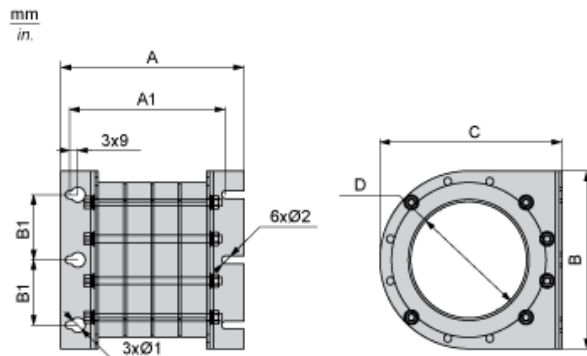
Packing Units

Unit Type of Package 1	PCE
Package 1 Height	6.69 in (17 cm)
Package 1 width	7.17 in (18.2 cm)
Package 1 Length	10.91 in (27.7 cm)
Unit Type of Package 2	P06
Number of Units in Package 2	24
Package 2 Weight	204.74 lb(US) (92.87 kg)
Package 2 Height	31.50 in (80 cm)
Package 2 width	31.50 in (80 cm)
Package 2 Length	23.62 in (60 cm)

Offer Sustainability

California proposition 65	WARNING: This product can expose you to chemicals including: Lead and lead compounds, which is known to the State of California to cause cancer and birth defects or other reproductive harm. For more information go to www.P65Warnings.ca.gov
REACH Regulation	REACH Declaration
REACH free of SVHC	Yes
EU RoHS Directive	Pro-active compliance (Product out of EU RoHS legal scope) EU RoHS Declaration
Toxic heavy metal free	Yes
Mercury free	Yes
RoHS exemption information	Yes
China RoHS Regulation	China RoHS Declaration

Dimensions



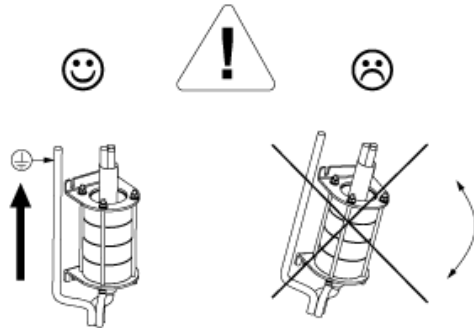
Dimensions in mm

A	A1	B1	Ø1	Ø2	B	C	D
210	187	45	13	6.5	127.5	127.5	75

Dimensions in in.

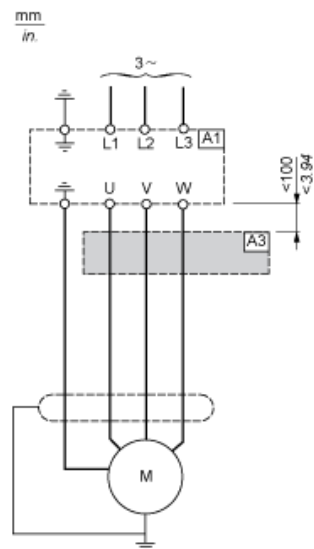
A	A1	B1	Ø1	Ø2	B	C	D
8.3	7.1	1.8	0.5	0.26	5.0	5.0	3.0

Mounting Recommendations



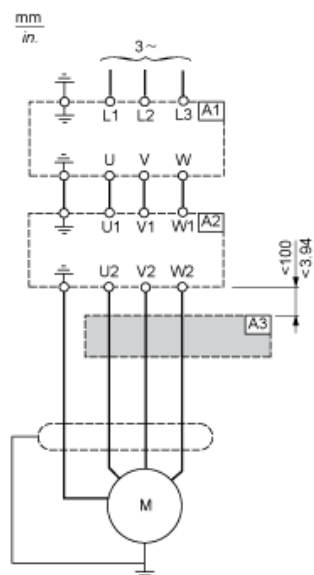
Recommended Schema

Connection at the Output Terminals of the Drive



- A1 : Drive
- A3 : Common mode filter

Connection at the Output Terminals of the dv/dt Filter or Sinus Filter



- A1 : Drive
- A2 : dv/dt or sinus filter
- A3 : Common mode filter