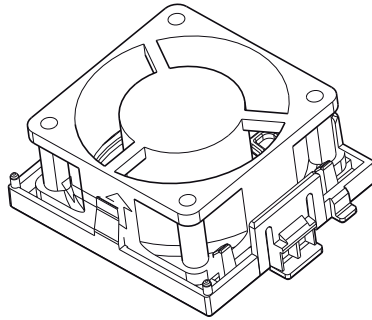




00159834714048

Altivar Fan Kits VZ3V3101, VZ3V3102



DANGER

HAZARD OF ELECTRIC SHOCK, EXPLOSION, OR ARC FLASH

- Only appropriately trained persons who are familiar with and understand the contents of this manual and all other pertinent product documentation and who have received safety training to recognize and avoid hazards involved are authorized to work on and with this drive system. Installation, adjustment, repair, and maintenance must be performed by qualified personnel.
- The system integrator is responsible for compliance with all local and national electrical code requirements as well as all other applicable regulations with respect to grounding of all equipment.
- Many components of the product, including the printed circuit boards, operate with mains voltage. Do not touch. Use only electrically insulated tools.
- Do not touch unshielded components or terminals with voltage present.
- Motors can generate voltage when the shaft is rotated. Prior to performing any type of work on the drive system, block the motor shaft to prevent rotation.
- AC voltage can couple voltage to unused conductors in the motor cable. Insulate both ends of unused conductors of the motor cable.
- Do not short across the DC bus terminals or the DC bus capacitors or the braking resistor terminals.
- Before performing work on the drive system:
 - Disconnect all power, including external control power that may be present.
 - Place a "Do Not Turn On" label on all power switches.
 - Lock all power switches in the open position.
 - Wait 15 minutes to allow the DC bus capacitors to discharge. The DC bus LED is not an indicator of the absence of DC bus voltage that can exceed 800 Vdc.
 - Measure the voltage on the DC bus between the DC bus terminals (PA/+ and PC/-) using a properly rated voltmeter to verify that the voltage is <42 Vdc.
 - If the DC bus capacitors do not discharge properly, contact your local Schneider Electric representative. Do not repair or operate the product.
- Install and close all covers before applying voltage.

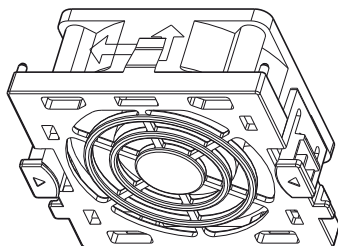
Failure to follow these instructions will result in death or serious injury.

Electrical equipment should be installed, operated, serviced, and maintained only by qualified personnel. No responsibility is assumed by Schneider Electric for any consequences arising out of the use of this product.

© 2018 Schneider Electric. All Rights Reserved.

Pour ATV31H●●● / For ATV31H●●●
Pour ATV212H●●●●● / For ATV212H●●●●●
Pour ATV312H●●●●● / For ATV312H●●●●●

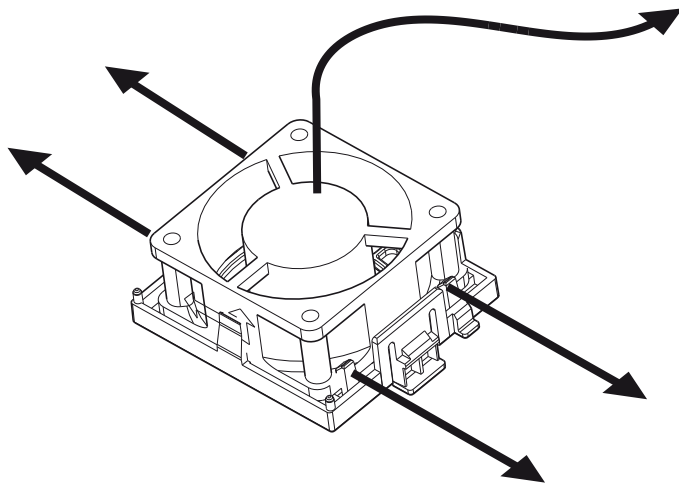
Remplacer le sous-ensemble ventilateur avec son support plastique.
Replace the fan sub-assembly with its plastic support.



Pour ATV31C●●● / For ATV31C●●●

Supprimer le support plastique du sous ensemble ventilateur fourni avant de procéder au remplacement décrit sur les pages suivantes.

Remove the plastic support of the fan sub-assembly supplied before proceeding with replacement described on the following pages.



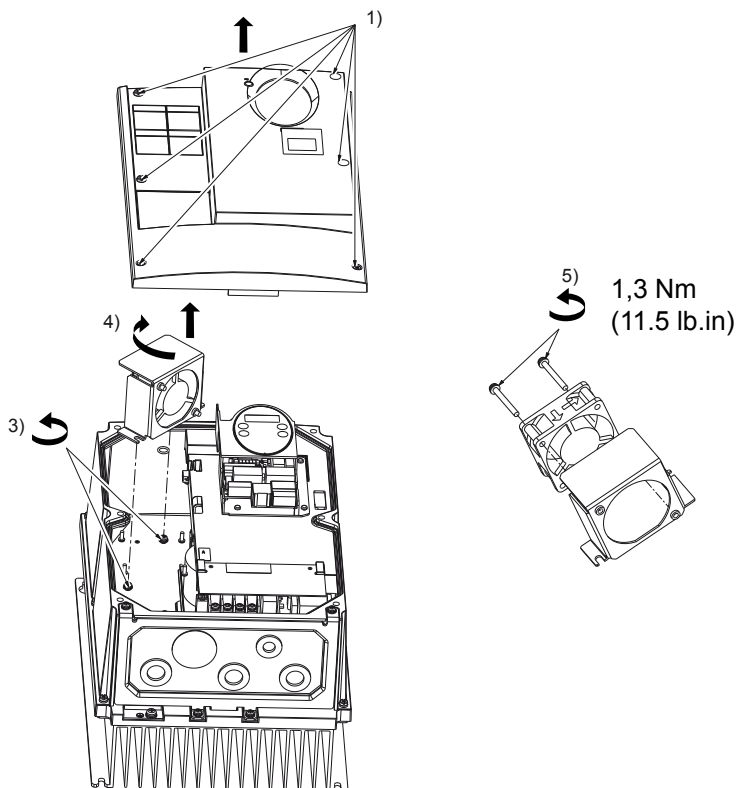
Pour ATV31C... / For ATV31C...

Démontage du ventilateur :

- 1) Desserrer les 6 vis qui fixent le couvercle du coffret.
Le ventilateur se trouve sur le radiateur.
- 2) Déconnecter le câble du ventilateur.
- 3) Desserrer les 2 vis qui fixent le sous-ensemble ventilateur sur le radiateur.
- 4) Lever l'ensemble.
- 5) Retirer le ventilateur de son support et le remplacer par le nouveau ventilateur.

Dismantling the fan sub-assembly:

- 1) Unscrew the 6 screws which are fixed on the cover of the wall-fixing drive.
The fan is on the heatsink.
- 2) Disconnect the cable of the fan.
- 3) Unscrew the 2 screws located on the support of the fan fixed on the heatsink.
- 4) Raise the unit.
- 5) Remove the fan from its metal support, and replace it by the new.



Pour ATV31C... / For ATV31C...

Remontage du sous-ensemble ventilateur:

- 1) Tenir le nouveau sous-ensemble ventilateur et le fixer dans son emplacement.
- 2) Amorcer les 2 vis S6 fournies et serrer celles-ci
- 3) Reconnecter le câble de l'alimentation du nouveau ventilateur.
- 4) Remettre le couvercle du coffret du variateur, resserrer les 6 vis et vérifier le centrage du clavier par rapport à la fenêtre.

Reassembling of fan sub-assembly:

- 1) Hold the new fan sub-assembly and fixing into its place.
- 2) Place the 2 screws (S6) delivered with the new fan and tighten them.
- 3) Reconnect the cable of the new fan.
- 4) Put back the cover of wall-fixing drive and tighten the 6 screws and check the right position of the keypad compared to the window.

