

PT630

Universal Tilt Wall Mount for 10" to 24" Flat Panel Displays

This sleek, compact tilt wall mount delivers a big impact for small displays. Its simple three step installation combined with its adjustable tilt angle enables small flat panel displays to be installed and adjusted quickly. This small mount delivers big results.



Display size: 10"-24"



Max load: 80lb (36kg)

FEATURES

- Mount fits displays with VESA® 75/100mm mounting hole patterns
- Adjustable 15° forward tilt and -5° backward tilt for finding the optimal viewing angle
- Tilt angle locks into place with simple tightening of screws
- Display held only 2.1" (53mm) from wall for a low-profile application
- Mounts to wood stud, concrete, cinder block or metal stud (metal stud accessory required)
- Comes with all necessary display attachment hardware
- UL listed

HOOK-N-HANG DESIGN

Display adapter simply hooks onto the wall plate for quick and easy installation

STANDARDIZED COMPATIBILITY

VESA® 75/100mm compliant



+15/-5° of tilt angle adjustment



PT630	Universal Tilt Wall Mount for 10" to 24" Flat Panel Displays
--------------	--

Product Specifications

	DIMENSIONS (W x H x D)	PRODUCT WEIGHT	LOAD CAPACITY	FINISH	AVAILABLE COLORS
PT630	5.46" x 4.75" x 2.10" (139 x 121 x 53mm)	1.26lb (.57kg)	80lb (36kg)	Scratch resistant fused epoxy	Gloss black

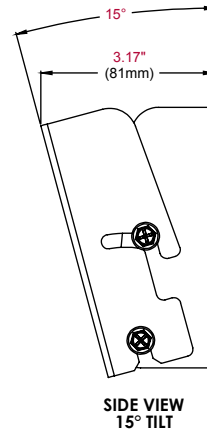
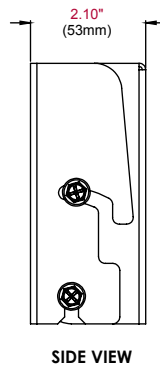
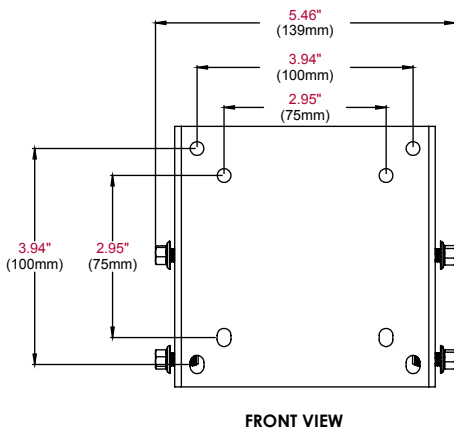
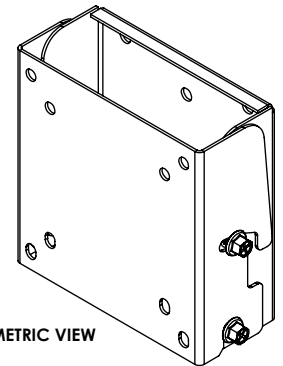
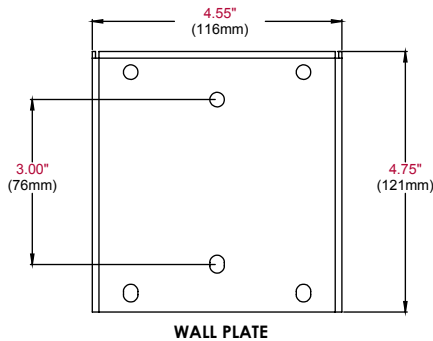
Package Specifications

	PACKAGE SIZE (W x H x D)	PACKAGE SHIP WEIGHT	PACKAGE UPC CODE	PACKAGE CONTENTS	UNITS IN PACKAGE
PT630	7" x 9.375" x 2.75" (178 x 238 x 70mm)	2.2lb (.99kg)	735029252320	Wall plate, display adapter, mounting and display attachment hardware	1

Accessories

- ACC925:** Security Fasteners
- ACC215:** 2-pack Metal Stud Fastener Kit

All dimensions = inch (mm)



ARCHITECTS SPECIFICATIONS

The Universal Tilt Wall Mount shall be a Peerless-AV model PT630 and shall be located where indicated on the plans. It shall be constructed of heavy gauge cold rolled steel and finished with scratch resistant Black Fused Epoxy. Assembly and installation shall be done according to instructions provided by the manufacturer.